

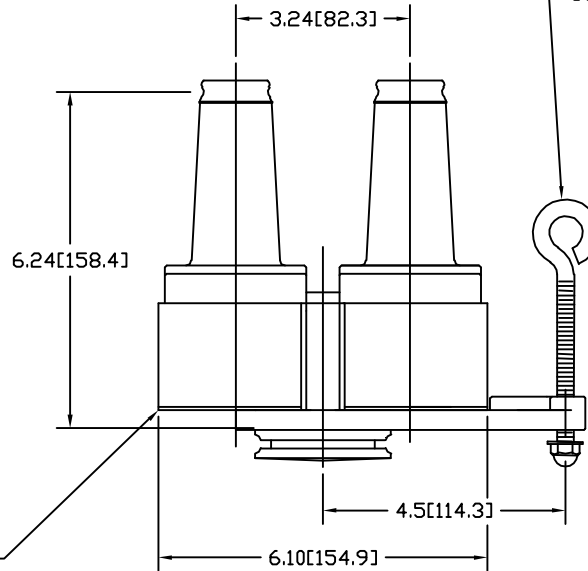
INTERFACE COMPLIES
WITH ANSI/IEEE 386
(1995) FIGURE 5

SET SCREW

MOUNTING BRACKET
TO PARKING STAND

16 GAUGE STAINLESS
STEEL BACKPLATE

SST EYEBOLT & ACORN NUT



DIM: IN[MM]

<p>CONFIDENTIAL: THIS DRAWING AND ITS CONTENTS ARE CONFIDENTIAL AND THE EXCLUSIVE PROPERTY OF HUBBELL POWER SYSTEMS. NO PUBLICATION, DISTRIBUTION OR COPIES MAY BE MADE WITHOUT THE WRITTEN CONSENT OF HUBBELL POWER SYSTEMS. HUBBELL POWER SYSTEMS UNPUBLISHED ALL RIGHTS RESERVED UNDER THE COPYRIGHT LAWS.</p>				<p>HUBBELL POWER SYSTEMS</p>			
		<p>TITLE</p> <p>FEED THRU 15 KV</p>		<p>CAT / PART / ASSY NO.</p> <p>215FTV</p>			
<p>REV DATE</p> <p>01/27/16</p>	<p>SIZE</p> <p>SB</p>	<p>DWG NO.</p> <p>--</p>	<p>REV</p> <p>2</p>	<p>DO NOT SCALE THIS DRAWING</p>	<p>DRN BY JVR</p>	<p>DATE 11/07/06</p>	<p>SHEET 1 OF 1</p>