

200A 15kV Junction

Conforms to all Requirements of IEEE Std. 386 - Latest Revision

Ratings

Maximum Continuous Voltage.....8.3 kV Phase-to-Ground
14.4 kV Phase-to-Phase
Continuous Current.....200 A

Short-Time Current Ratings

0.17 Sec. Duration.....10,000 A rms Symmetrical
3.00 Sec. Duration.....3,500 A rms Symmetrical

Insulation Withstand Voltages

Basic Impulse Level.....95 kV Crest (1.2 x 50 μ Sec. wave)
60 Hz (60 Sec.).....34 kV rms
Partial Discharge Extinction Voltage (3 pC).....11 kV rms

Switching

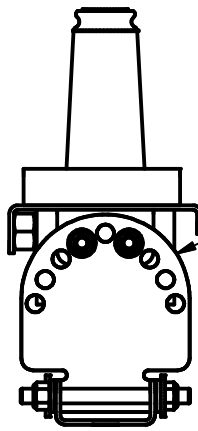
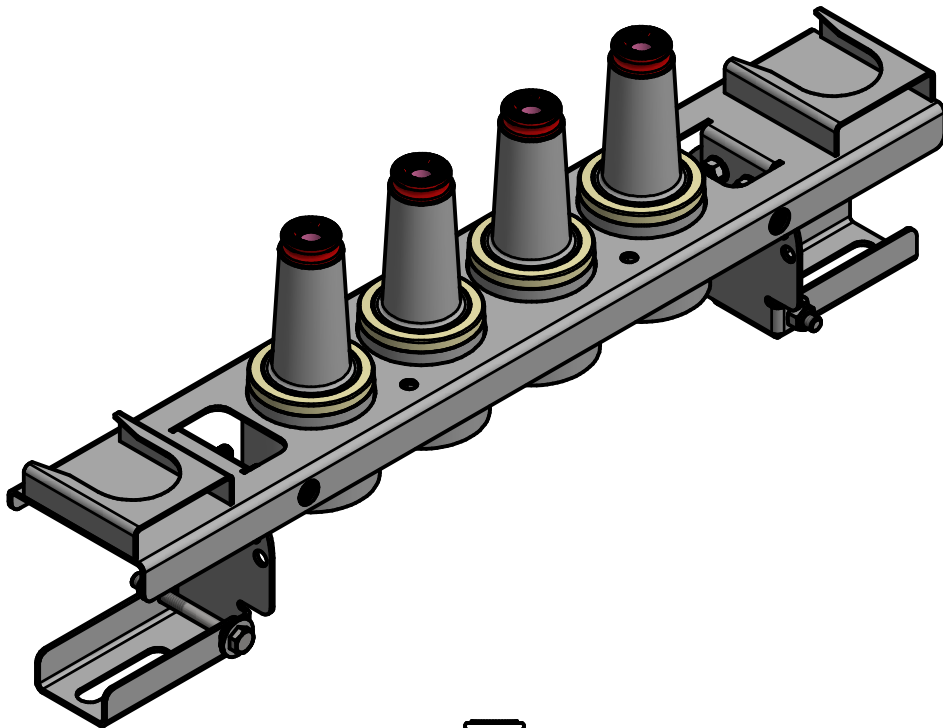
1-Phase & 3-Phase Circuits 8.3 kV Phase-to-Ground, 14.4 kV maximum across the open contacts. 10 make/break operations at 200 A with 0.70-0.80 lagging power factor.

Fault Closure

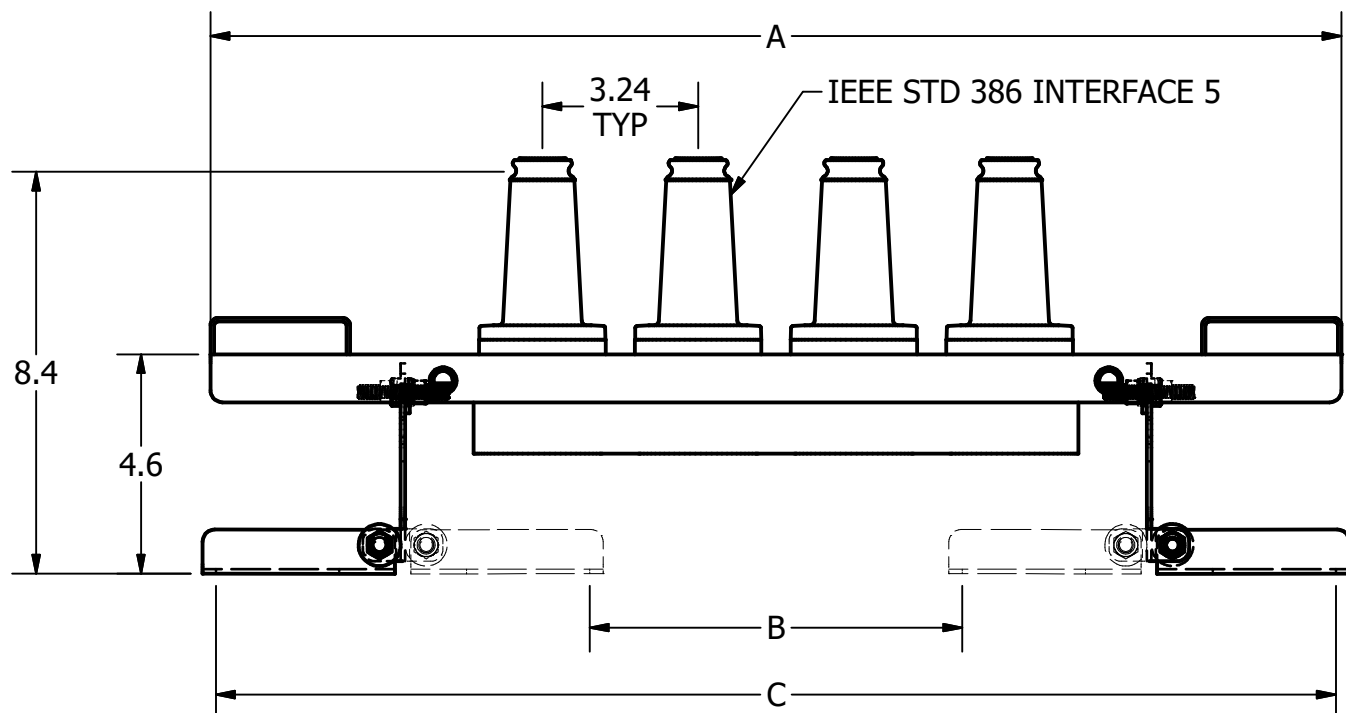
One Fault-Close Operation at max 8.3 kV Phase-to-Ground, or max 14.4 kV Phase-to-Phase; max 10,000 A rms Symmetrical, 10 Cycles (0.17 Sec.).

Production Tests

100% factory tested for Partial Discharge and either AC 60 Hz (34 kV for 60 Sec.) or Impulse (BIL) (95 kV 1.2 x 50 μ Sec. wave).



4 POSITION ADJUSTABLE BRACKET
30°, 45°, 60° and 90°



CATALOG #	POINTS	A	B	C
215J2B	2	13.9	2.0	16.9
215J3B	3	20.3	4.4	19.7
215J4B	4	23.5	7.7	22.8



HUBBELL POWER SYSTEMS, Inc.

TITLE
200A 15kV JUNCTION

CONTENTS ARE CONFIDENTIAL AND THE EXCLUSIVE PROPERTY OF HUBBELL POWER SYSTEMS. NO PUBLICATION, DISTRIBUTION OR COPIES MAY BE MADE WITHOUT THE WRITTEN CONSENT OF HUBBELL POWER SYSTEMS. HUBBELL POWER SYSTEMS UNPUBLISHED ALL RIGHTS RESERVED UNDER THE COPYRIGHT LAWS.

SIZE SB	DWG NO. ---	CAT / PART / ASSY NO. 215JXB	REV 0
DO NOT SCALE THIS DRAWING	DRN BY BVB	DATE 11/20/18	SHEET 1 OF 1

REV DATE
11/20/18