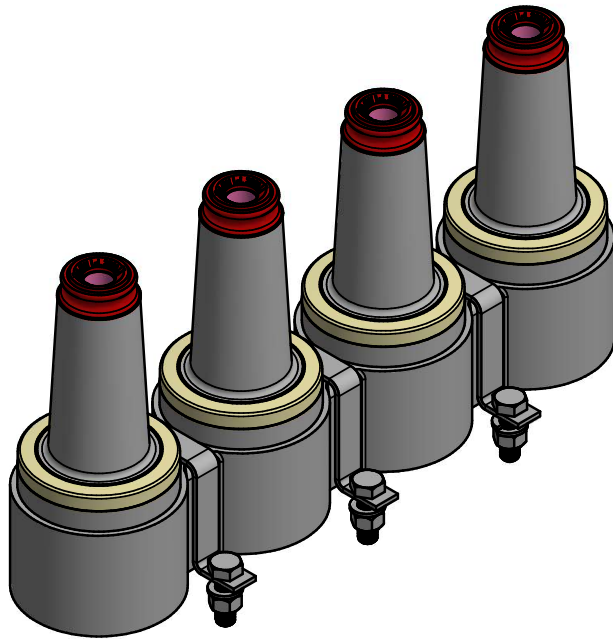


HUBBELL
Power Systems, Inc.

1850 Richmond Ave East
Aiken, SC 29801
Phone: 803-648-8386
www.Hubbellpowersystems.com

200A 15kV Junction

Conforms to all Requirements of IEEE Std. 386 - Latest Revision



Ratings

Maximum Continuous Voltage.....8.3 kV Phase-to-Ground
14.4 kV Phase-to-Phase
Continuous Current.....200 A

Short-Time Current Ratings

0.17 Sec. Duration.....10,000 A rms Symmetrical
3.00 Sec. Duration.....3,500 A rms Symmetrical

Insulation Withstand Voltages

Basic Impulse Level.....95 kV Crest (1.2 x 50 μ Sec. wave)
60 Hz (60 Sec.).....34 kV rms
Partial Discharge Extinction Voltage (3 pC).....11 kV rms

Switching

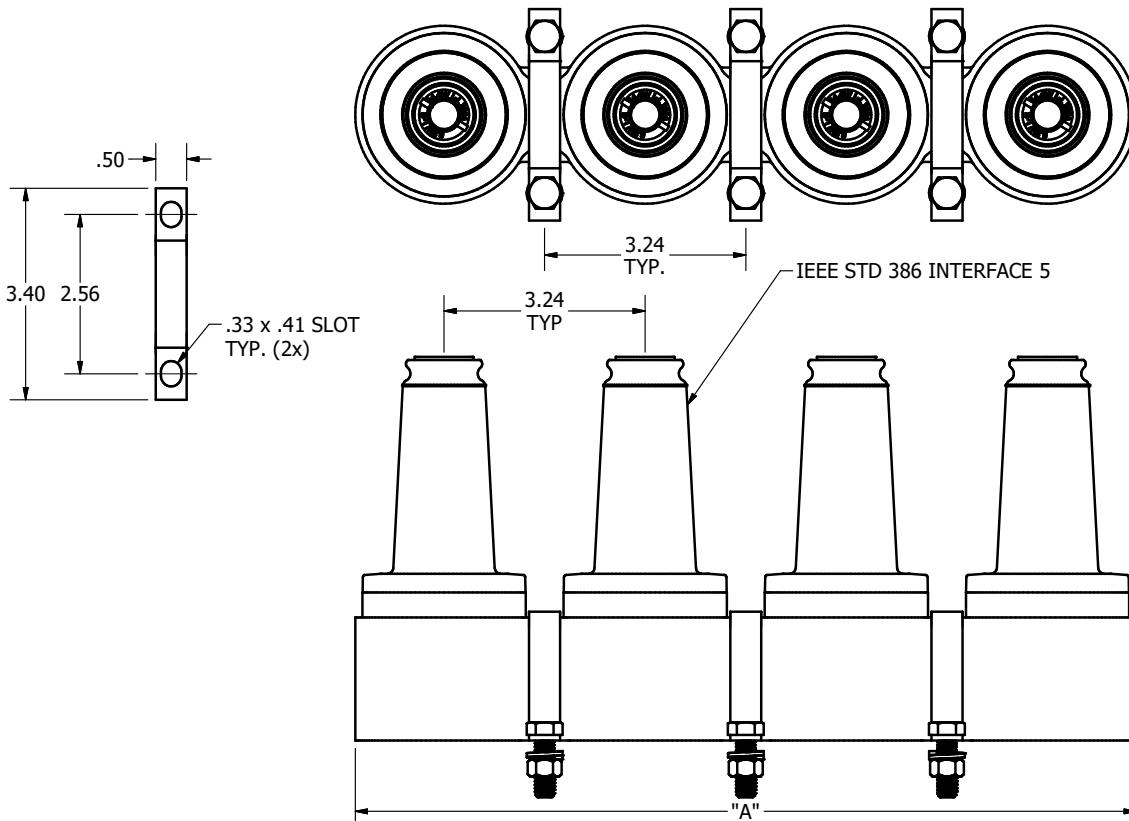
1-Phase & 3-Phase Circuits 8.3 kV Phase-to-Ground, 14.4 kV maximum across the open contacts. 10 make/break operations at 200 A with 0.70-0.80 lagging power factor.

Fault Closure

One Fault-Close Operation at max 8.3 kV Phase-to-Ground, or max 14.4 kV Phase-to-Phase; max 10,000 A rms Symmetrical, 10 Cycles (0.17 Sec.).

Production Tests

100% factory tested for Partial Discharge and either AC 60 Hz (34 kV for 60 Sec.) or Impulse (BIL) (95 kV 1.2 x 50 μ Sec. wave).



CATALOG #	POINTS	A
215J2U	2	6.1
215J3U	3	9.4
215J4U	4	12.6

HUBBELL POWER SYSTEMS, Inc. POWER SYSTEMS, INC.		TITLE	
		200A 15kV JUNCTION U-STRAPS	
SIZE	DWG NO.	CAT / PART / ASSY NO.	REV
SB	---	215JXU	1
DO NOT SCALE THIS DRAWING		DRN BY BvB	DATE 11/26/2018 SHEET 1 OF 1

REV DATE 2/10/2020

CONTENTS ARE CONFIDENTIAL AND THE EXCLUSIVE PROPERTY OF HUBBELL POWER SYSTEMS. NO PUBLICATION, DISTRIBUTION OR COPIES MAY BE MADE WITHOUT THE WRITTEN CONSENT OF HUBBELL POWER SYSTEMS. HUBBELL POWER SYSTEMS UNPUBLISHED ALL RIGHTS RESERVED UNDER THE COPYRIGHT LAWS.