

# 15KV 200A LOADBREAK ELBOW

1850 Richmond Ave East  
Aiken, SC 29801  
Phone: 803-648-8386  
[www.Hubbellpowersystems.com](http://www.Hubbellpowersystems.com)



### Ratings

Maximum Continuous Voltage.....8.3 kV Phase-to-Ground  
14.4 kV Phase-to-Phase  
Continuous Current.....200 A

### Short-Time Current Ratings

0.17 Sec. Duration.....10,000 A rms Symmetrical  
3.00 Sec. Duration.....3,500 A rms Symmetrical

### Insulation Withstand Voltages

Basic Impulse Level.....95 kV Crest (1.2 x 50  $\mu$ Sec. wave)  
60 Hz (60 Sec.).....34 kV rms  
Partial Discharge Extinction Voltage (3 pC).....11 kV rms

### Switching

1-Phase & 3-Phase Circuits 8.3 kV Phase-to-Ground, 14.4 kV maximum across the open contacts. 10 make/break operations at 200 A with 0.70-0.80 lagging power factor.

### Fault Closure

One Fault-Close Operation at max 8.3 kV Phase-to-Ground, or max 14.4 kV Phase-to-Phase; max 10,000 A rms Symmetrical, 10 Cycles (0.17 Sec.).

### Production Tests

100% factory tested for Partial Discharge and either AC 60 Hz (34 kV for 60 Sec.) or Impulse (BIL) (95 kV 1.2 x 50  $\mu$ Sec. wave).

#### ORDERING INFORMATION

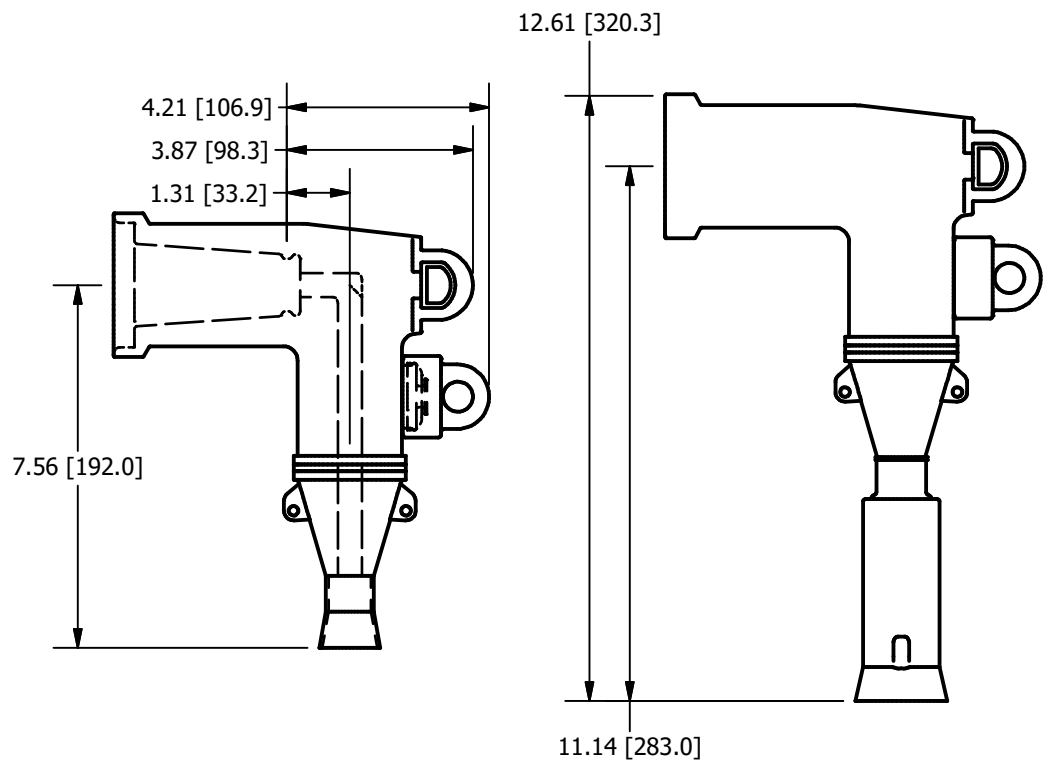
1. WHEN ORDERING INTEGRAL SEAL USE 215LEJ
2. SELECT ELBOW SIZE (X) BASED ON INSULATION DIAMATER
3. SELECT CONNECTOR SIZE (Y) BASED ON CONDUCTOR, OR "0" FOR NO CONNECTOR
4. ADD "P" TO THE END IF A PROBELOK CONNECTOR IS REQUIRED
5. ADD "T" TO THE END IF A TEST POINT IS REQUIRED
6. ADD "J" TO THE END IF A JACKET SEAL KIT IS REQUIRED
7. ADD "S" TO THE END IF A SHIELD ADAPTER KIT IS REQUIRED

215LE(J)xy(P)(T)(J)(S)

EXAMPLE 1: 215LE45  
15KV 200A LOADBREAK ELBOW SIZE 4 WITH A SIZE 5 CONNECTOR

EXAMPLE 2: 215LEJ50T  
15KV 200A LOADBREAK ELBOWSIZE 5 WITH INTEGRAL SEAL, NO CONNECTOR AND A TEST POINT

EXAMPLE 3: 215LE34PTS  
15KV 200A LOADBREAK ELBOWSIZE 3 WITH SIZE 4 PROBELOK CONNECTOR, A TEST POINT AND A SHIELD ADAPTER



DIMENSION IN PARENTHESIS ARE METRIC

DIAMETER ACROSS INSULATION		
SIZE (X)	INCH	MM
3	.495-.730	12.6-18.5
4	.635-.905	16.1-23.0
5	.760-1.135	19.3-28.8

CONN. CODE "Y"	CONDUCTOR SIZE		CONNECTOR DIA	CRIMPING INFO
	STD OR COMPRESSED	SOLID OR COMPACTED		MANUFACTURER, DIE, (CRIMPS)
1	6	4	.625 [15.8]	HUBBELL (ANDERSON), VERSACRIMP (5) BURNDY, BG(6), W-BG (3), W243 (4) U-BG (3), U243 (2) KEARNEY; 5/8 NOSE (6), 5/8-1 (6), 9/16 (4), TU (4)
2	4-3	2-3		
3	2	1		
4	1	1/0		
5	1/0	2/0		
6	2/0	3/0		
7	3/0	4/0	.780 [19.8]	HUBBELL (ANDERSON), VERSACRIMP (5) BURNDY; W247 (4), U247 (2), U27ART (3) KEARNEY; "0" 737 (7), 747 (4), "H" 737(4), 747 (3)
8	4/0	-		

CONTENTS ARE CONFIDENTIAL AND THE EXCLUSIVE PROPERTY OF HUBBELL POWER SYSTEMS. NO PUBLICATION, DISTRIBUTION OR COPIES MAY BE MADE WITHOUT THE WRITTEN CONSENT OF HUBBELL POWER SYSTEMS. HUBBELL POWER SYSTEMS UNPUBLISHED ALL RIGHTS RESERVED UNDER THE COPYRIGHT LAWS.		HUBBELL POWER SYSTEMS, Inc. POWER SYSTEMS, INC.		
		TITLE <b>15KV 200A LOADBREAK ELBOW</b>		
REV DATE 03/27/2020	SIZE SB	DWG NO. --	CAT / PART / ASSY NO. 215LE	REV 0
DO NOT SCALE THIS DRAWING		DRN BY BVB	DATE 03/27/2020	SHEET 1 OF 1