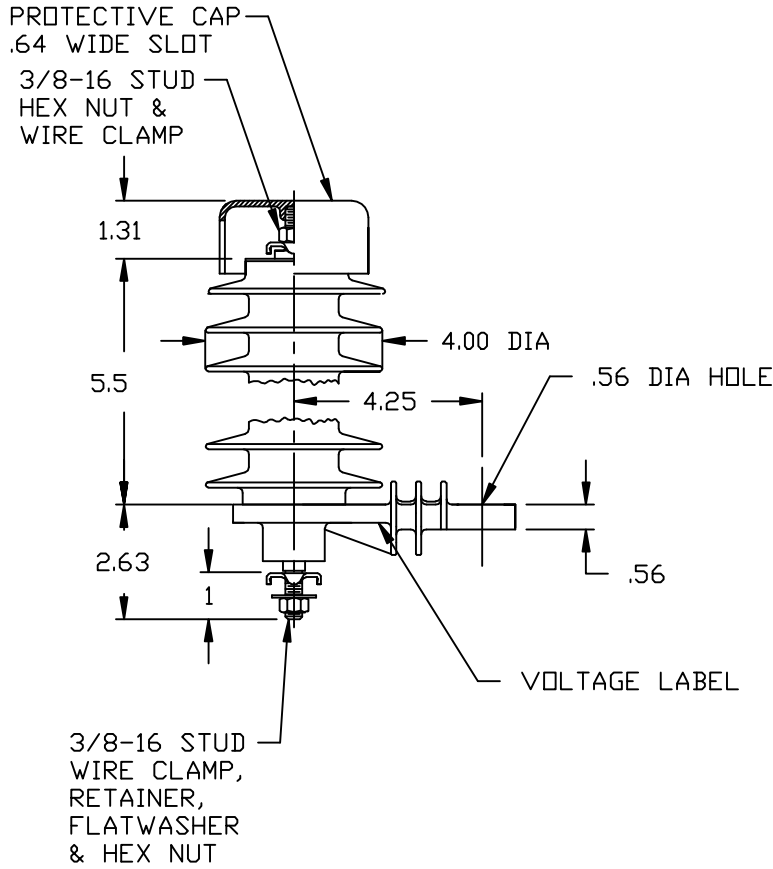



NOTES:

1. DIMENSIONS SUBJECT TO +/- 3% TOLERANCE
2. LEAKAGE DISTANCE (Inches) - 15.4
3. ALTITUDE 0-12000 FT. ABOVE SEA LEVEL
4. WEIGHT OF UNIT INCLUDING HARDWARE - 2 LB.
5. MAXIMUM CONTINUOUS LINE-TO-GROUND OPERATING VOLTAGE 7.65 kV MCOV
6. VOLTAGE RATING 9 kV RMS.
7. PVR RISER LABEL ON UNDERSIDE OF INSULATING BASE, OR ARRESTER



.5 μ SEC 10kA IR kV	500 A SWITCHING SURGE IR kV	MAXIMUM 8/20 DISCHARGE VOLTAGE - kV AT				
		15 kA	3.0 kA	5 kA	10 kA	20 kA
27.8	19.4	20.8	21.9	22.9	24.5	27.5

RISER POLE SURGE ARRESTER	<p>CONFIDENTIAL: THIS DRAWING AND ITS CONTENTS ARE CONFIDENTIAL AND THE EXCLUSIVE PROPERTY OF HUBBELL POWER SYSTEMS. NO PUBLICATION, DISTRIBUTION OR COPIES MAY BE MADE WITHOUT THE WRITTEN CONSENT OF HUBBELL POWER SYSTEMS. HUBBELL POWER SYSTEMS UNPUBLISHED ALL RIGHTS RESERVED UNDER THE COPYRIGHT LAWS.</p>	 <b>HUBBELL® POWER SYSTEMS</b>		
		TITLE <b>PVR ARRESTER 7.65 KV MCOV</b>		
		SIZE <b>S</b>	DWG NO. <b>ALES7XXX</b>	CAT / PART / ASSY NO. <b>221608-7314</b>
REV DATE <b>07/10/18</b>	DO NOT SCALE THIS DRAWING	DRN BY MOV	DATE 06/17/00	SHEET 1 OF 1