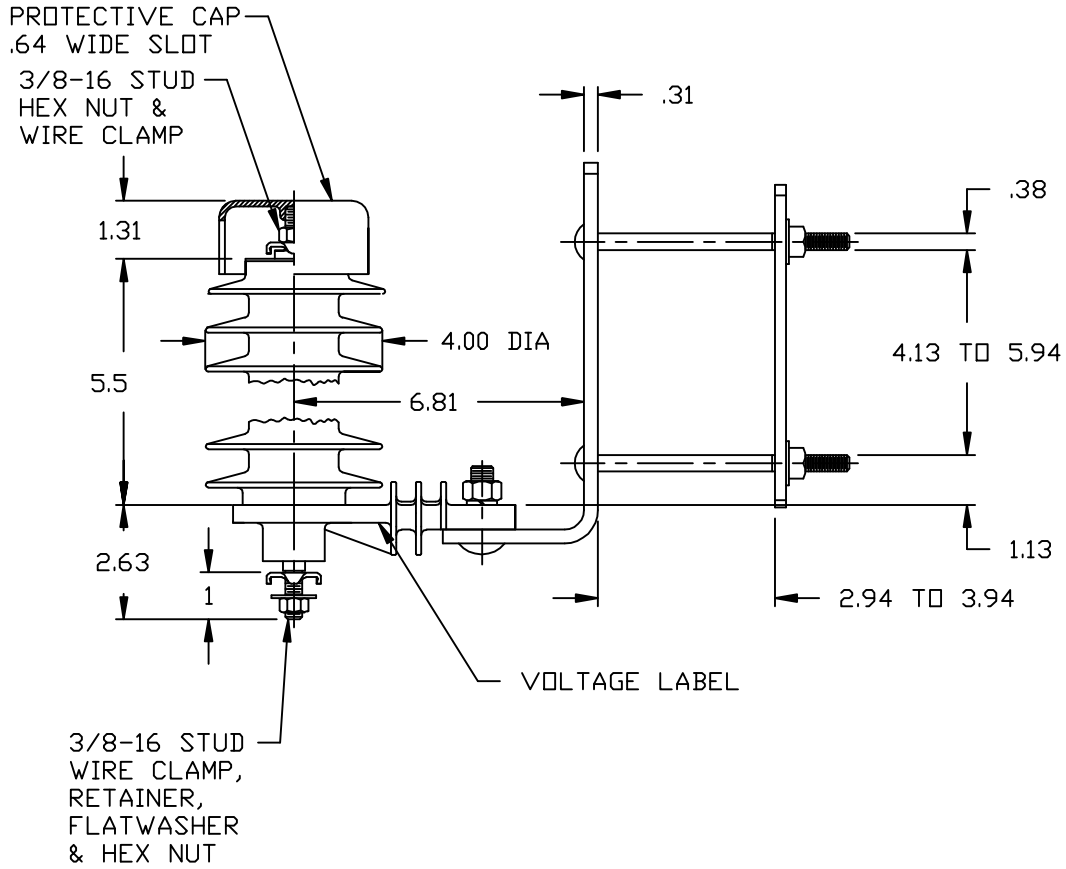



NOTES:

1. DIMENSIONS SUBJECT TO +/- 3% TOLERANCE
2. LEAKAGE DISTANCE (Inches) - 15.4
3. ALTITUDE 0-12000 FT. ABOVE SEA LEVEL
4. WEIGHT OF UNIT INCLUDING HARDWARE - 4.3 LB.
5. MAXIMUM CONTINUOUS LINE-TO-GROUND OPERATING VOLTAGE 8.4 kV MCOV
6. VOLTAGE RATING 10 kV RMS.
7. PVR RISER LABEL ON UNDERSIDE OF INSULATING BASE, OR ARRESTER



| .5 μ SEC 10kA IR kV | 500 A SWITCHING SURGE IR kV | MAXIMUM 8/20 DISCHARGE VOLTAGE - kV AT | | | | |
|------------------------|--------------------------------|----------------------------------------|--------|------|-------|-------|
| | | 15 kA | 3.0 kA | 5 kA | 10 kA | 20 kA |
| 30.4 | 21.3 | 22.8 | 24.1 | 25.2 | 27 | 30.4 |

| | | | | |
|------------------------------------|-------------------------------------------------------------------------------------------------------------------------------------------------------------------------------------------------------------------------------------------------------------------------------------------------------------------|-------------------------------------------------------------------------------------------------------------------|---------------------|--------------------------------------|
| RISER POLE SURGE ARRESTER | <p>CONFIDENTIAL: THIS DRAWING AND ITS CONTENTS ARE CONFIDENTIAL AND THE EXCLUSIVE PROPERTY OF HUBBELL POWER SYSTEMS. NO PUBLICATION, DISTRIBUTION OR COPIES MAY BE MADE WITHOUT THE WRITTEN CONSENT OF HUBBELL POWER SYSTEMS. HUBBELL POWER SYSTEMS UNPUBLISHED ALL RIGHTS RESERVED UNDER THE COPYRIGHT LAWS.</p> |  HUBBELL® POWER SYSTEMS | | |
| | | TITLE PVR ARRESTER 8.4 kV MCOV | | |
| | | SIZE S | DWG NO. ALES7XXX | CAT / PART / ASSY NO. 221609-7324 |
| REV DATE 08/14/17 | DO NOT SCALE THIS DRAWING | DRN BY MOV | DATE 06/17/00 | SHEET 1 OF 1 |