

25 kV

PARKINGSTAND ARRESTER



Conforms to all Requirements of IEEE Std. 386 and ANSI C62.11 - Latest Revision

Design Tests

High Current, Short Duration.....2 discharges of 65 kA Crest
Low Current, Long Duration.....20 Surges of 75 A for 2,000 μsec. duration
Operating Duty Cycle..... 22 Operations of 5 kA Crest 8 x 20 μsec.
Safe Failure Mode.....Verify blocks do not breach sidewall

Production Tests

Polymer Housing Only per IEEE Std. 386

Partial Discharge Voltage Level (5pC sensitivity)
AC 60 Hz, 1 minute withstand or BIL impulse lightning withstand
Periodic Fluoroscope Analysis

Production Tests

Complete Unit per ANSI C62.11

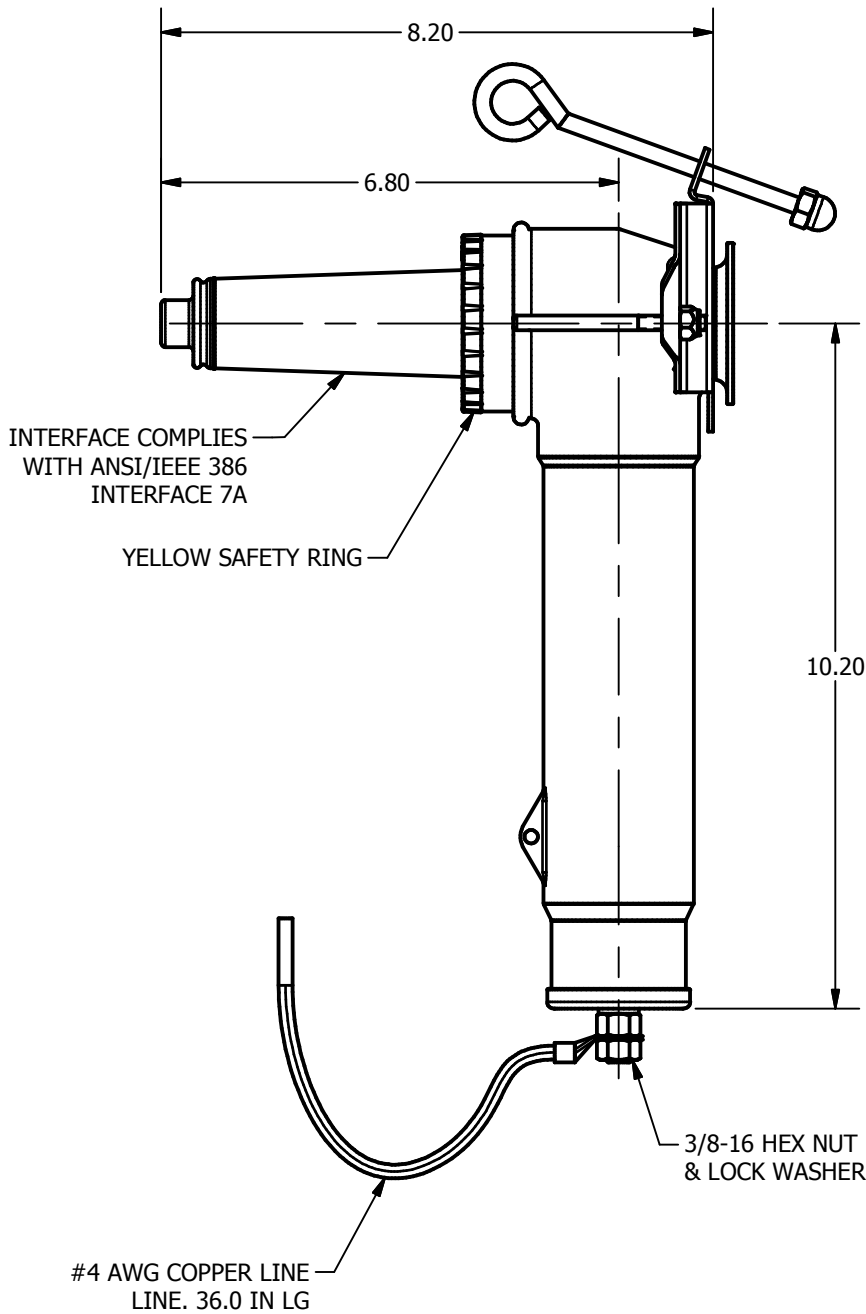
Partial Discharge Voltage Level (10pC sensitivity)
Reference Voltage
Power Frequency

TABLE 1


Catalog Number	MCOV (kV)	Rating (kV)	0.5 μsec 5 kA Max IR-kV
225PLA09	7.65	9	33.5
225PLA10	8.40	10	36.0
225PLA12	10.2	12	50.0
225PLA15	12.7	15	58.5
225PLA18	15.3	18	67.0
225PLA21	17.0	21	73.0

TABLE 2

Catalog Number	Maximum Discharge Voltage (kV Crest)				
	1.5 kA	3.0 kA	5.0 kA	10kA	20kA
225PLA09	26.8	28.0	30.0	33.0	39.0
225PLA10	27.0	29.5	31.5	36.0	41.5
225PLA12	39.0	41.0	44.0	49.0	57.0
225PLA15	45.5	48.5	52.0	57.5	67.5
225PLA18	52.0	56.0	60.0	66.0	78.0
225PLA21	55.0	60.0	64.0	73.0	84.0



The Hubbell 25 kV Parkingstand Arrester is designed to provide shielded, dead-front arrester protection for 25 kV underground systems. The arrester limits over-voltages to acceptable levels, protecting equipment and extending service life. The product has been tested to meet the requirements of IEEE Std. 368 and ANSI C62.11 - latest revision. When mated to a comparably rated interface, these Parkingstand Arresters provide a fully shielded and submersible connection.

<p>CONTENTS ARE CONFIDENTIAL AND THE EXCLUSIVE PROPERTY OF HUBBELL POWER SYSTEMS. NO PUBLICATION, DISTRIBUTION OR COPIES MAY BE MADE WITHOUT THE WRITTEN CONSENT OF HUBBELL POWER SYSTEMS. HUBBELL POWER SYSTEMS UNPUBLISHED ALL RIGHTS RESERVED UNDER THE COPYRIGHT LAWS.</p>		 HUBBELL POWER SYSTEMS, Inc.			
		<p>TITLE</p> <h2>25 kV PARKINGSTAND ARRESTER</h2>			
REV DATE	02/13/18	SIZE	DWG NO.	CAT / PART / ASSY NO.	REV
		SB	--	225PLAXX	0
DO NOT SCALE THIS DRAWING		DRN BY BvB		DATE 02/13/18	SHEET 1 OF 1