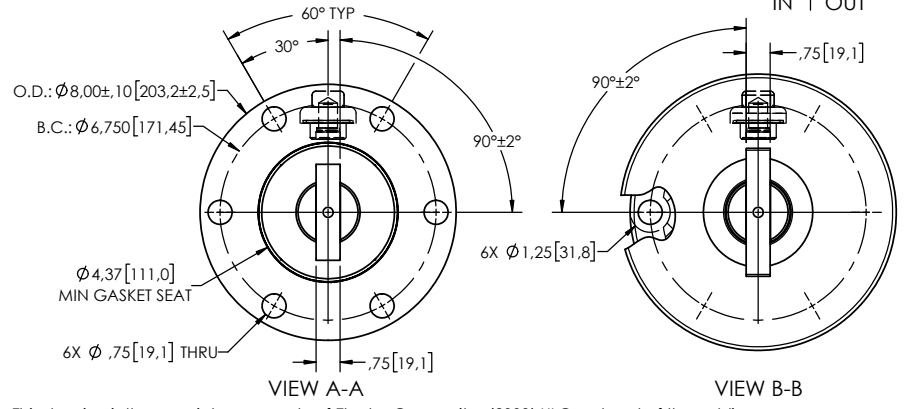
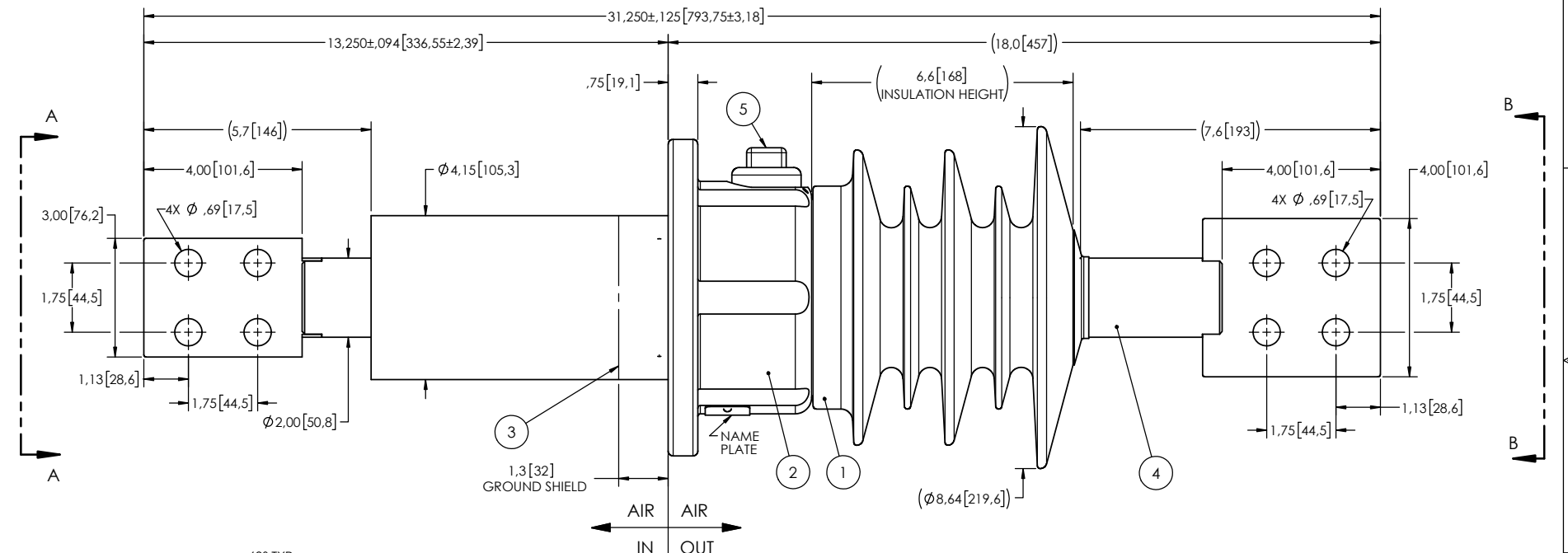


NOTES:

- | | | | |
|---|--------------------------------------|----------------------|------------------|
| 1 | CREEPAGE DISTANCE: | OUT: 19.5" / 497mm | IN: 7.2" / 183mm |
| 2 | ARC DISTANCE: | OUT: 9.0" / 228mm | IN: 7.2" / 183mm |
| 3 | NOMINAL VOLTAGE: | 15kV | |
| 4 | NOMINAL CURRENT: | 2000A | |
| 5 | VOLTAGE WITHSTAND, 60 sec.: | 50kV | |
| 6 | BIL : | 110kV | |
| 7 | ROUTINE TEST ACCORDING TO: | IEEE C57.19.01 | |
| 8 | MAX. TORQUE APPLIED ON FLANGE BOLTS: | 40 lbf·ft / 54.2 N·m | |
| 9 | WEIGHT: | 52 lb / 23.6 kg | |

REVISIONS					
ZONE	REV.	DESCRIPTION	DRAWN BY	DATE	APPR.



ITEM NO.	QTY	DRAWING NO.	PART NO.	DESCRIPTION	NOTE / MAT'L
5	1	S-1001-2022		CAPACITANCE TAP ASSEMBLY	ALUMINUM
4	1	S-9647-10102		ROD ASSEMBLY	COPPER
3	1	S-1789-8808		SHIELD ASSEMBLY	COPPER
2	1	S-9647-10105		FLANGE	ALUMINUM
1	1	S-9647-10101	-001	CASTING, CYCLOALIPHATIC RESIN	EC-APG-02

PARTS LIST							
GENERAL TOLERANCES (UNLESS OTHERWISE SPECIFIED)			<p>ElectroComposites solid HV bushings solution</p> <p>TITLE: SDC® BUSHING 15kV, 2000A MODEL: 110-020-W-226-02</p>				
X.	±0.125	DRAWN BY: M. FORGET				DATE: 2020/03/13	FORMAT: A
.X	±0.094						
.XX	±0.063	CHECK BY:				CAGE CODE	DRAWING NO.: S-9647-10101
.XXX	±0.031						
ANGLES	±0.25°	PROJECT MGR.:	SCALE: 1:4	GENERATED BY: SolidWorks 2020	SHEET: 1 of 1		
RADIUS	±0.031						
REMOVE BURRS AND BREAK SHARP EDGES							
DIMENSIONS ARE IN INCHES (UNLESS OTHERWISE SPECIFIED)							

This drawing is the proprietary property of Electro Composites (2008) ULC, not part of the public domain, and is issued with the express understanding and agreement that it is not to be reproduced or copied in whole or in part or issued for furnishing information to others, or used directly or indirectly, in any way detrimental to the interest of Electro Composites (2008) ULC and is to be returned upon request by Electro Composites (2008) ULC. All Rights Reserved.