

28 kV LOADBREAK FUSED ELBOW

Conforms to all Applicable Requirements of IEEE Std. 386
Latest Revision

Ratings

Maximum Continuous Voltage.....16.2 kV Phase-to-Ground
28.0 kV Phase-to-Phase
Continuous Current.....200 A
Maximum Applicable Fuse.....40 A

Insulation Withstand Voltages

Basic Impulse Level.....125 kV Crest (1.2 x 50 μSec. wave)
60 Hz (60 Sec.).....45 kV rms
Partial Discharge Extinction Voltage (5 pC).....21.5 kV rms

Production Tests

100% factory tested for Partial Discharge and either AC 60 Hz (45 kV for 60 Sec.) or Impulse (BIL) (125 kV 1.2 x 50 μSec. wave).
Test Point Verification Performed.

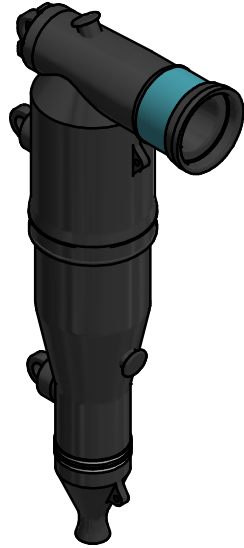


TABLE 1

Size	Insulation Range (in.)	Insulation Range (mm.)
A	0.61 - 0.82	15.5 - 20.9
B	0.72 - 0.99	18.3 - 25.0
C	0.92 - 1.19	23.4 - 30.1

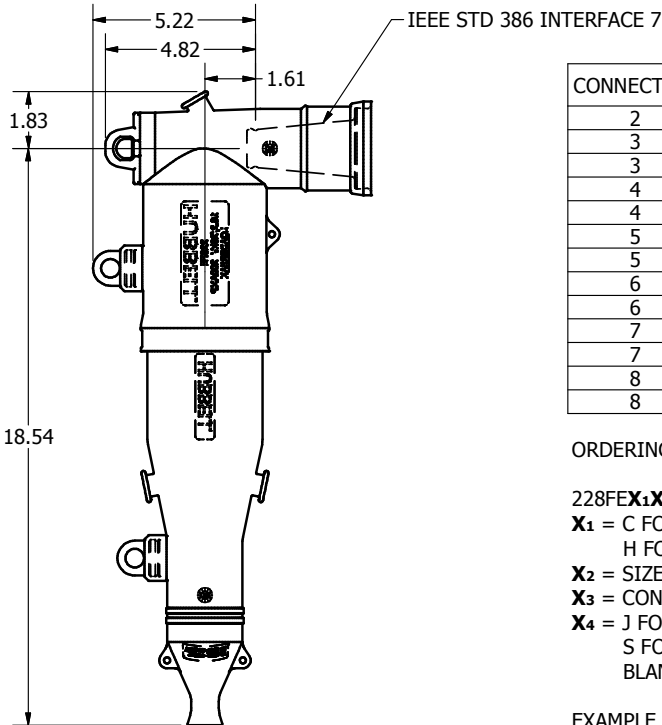


TABLE 2

CONNECTOR	CONDUCTOR	STRANDING
2	#2	COMPACT & SOLID
3	#2	STRANDED & COMPRESSED
3	#1	COMPACT & SOLID
4	#1	STRANDED & COMPRESSED
4	1/0	COMPACT & SOLID
5	1/0	STRANDED & COMPRESSED
5	2/0	COMPACT & SOLID
6	2/0	STRANDED & COMPRESSED
6	3/0	COMPACT & SOLID
7	3/0	STRANDED & COMPRESSED
7	4/0	COMPACT & SOLID
8	4/0	STRANDED & COMPRESSED
8	250	COMPACT

ORDERING INFORMATION:

228FEX₁X₂X₃X₄

- X₁ = C FOR COOPER™ FUSE
H FOR HI-TECH® FUSE
- X₂ = SIZE (SEE TABLE 1)
- X₃ = CONNECTOR (SEE TABLE 2)
- X₄ = J FOR SEAL KIT
S FOR SHIELD ADAPTOR
BLANK FOR NEITHER

EXAMPLE
228FEHA3J
28KV FUSED ELBOW FOR HI-TECH FUSE,
INSULATION RANGE .61"-.82"
CONNECTOR SIZE 3 WITH A SEAL KIT

The Hubbell 28kV Class Fused Loadbreak Elbow combines a loadbreak elbow with full range current-limiting fuse protection. The Hubbell Fused Elbow provides a quick and cost effective solution for adding fused reliability to underground distribution systems. When mated with a comparable loadbreak bushing, or other devices with an interface that conforms to IEEE Std. 386 Interface 7, the Hubbell Fused Elbow provides a fully shielded and submersible connection.

HUBBELL POWER SYSTEMS, Inc. POWER SYSTEMS, INC.		TITLE		
		28 kV FUSED ELBOW		
CONTENTS ARE CONFIDENTIAL AND THE EXCLUSIVE PROPERTY OF HUBBELL POWER SYSTEMS. NO PUBLICATION, DISTRIBUTION OR COPIES MAY BE MADE WITHOUT THE WRITTEN CONSENT OF HUBBELL POWER SYSTEMS. HUBBELL POWER SYSTEMS UNPUBLISHED ALL RIGHTS RESERVED UNDER THE COPYRIGHT LAWS.	SIZE SB	DWG NO. --	CAT / PART / ASSY NO. 228FE	REV 1
REV DATE 06/05/17	DO NOT SCALE THIS DRAWING	DRN BY BvB	DATE 05/18/17	SHEET 1 OF 1