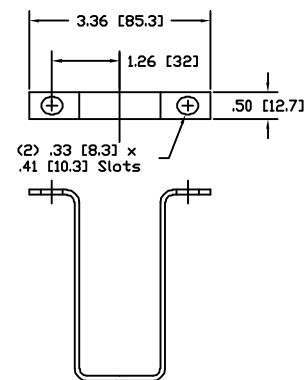
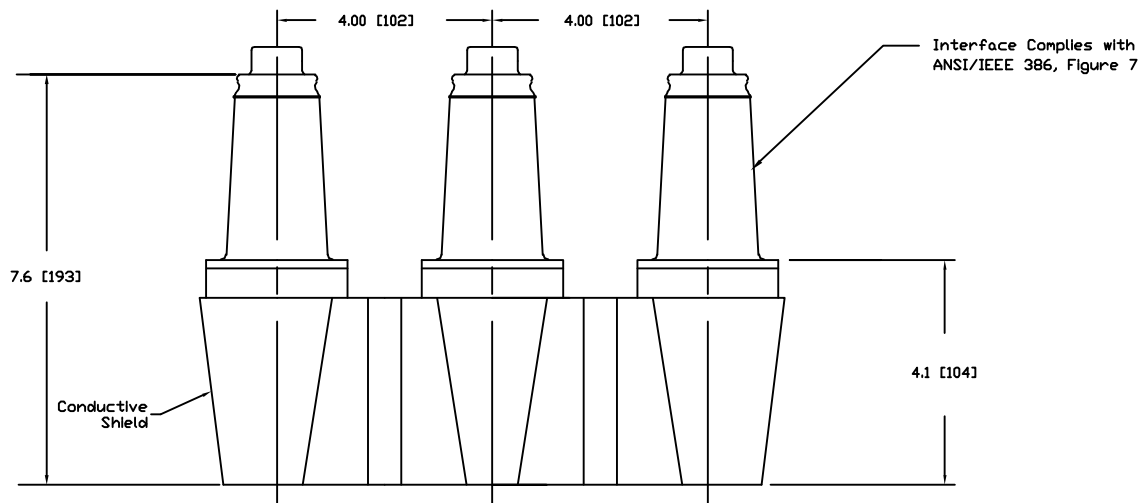


- NOTES:
 1. Dim: in. [mm]
 2. (2) U-strap assemblies included.



CONFIDENTIAL: THIS DRAWING AND ITS CONTENTS ARE CONFIDENTIAL AND THE EXCLUSIVE PROPERTY OF HUBBELL POWER SYSTEMS. NO PUBLICATION, DISTRIBUTION OR COPIES MAY BE MADE WITHOUT THE WRITTEN CONSENT OF HUBBELL POWER SYSTEMS. HUBBELL POWER SYSTEMS UNPUBLISHED ALL RIGHTS RESERVED UNDER THE COPYRIGHT LAWS.				HUBBELL POWER SYSTEMS	
		TITLE JUNCTION 3P 25 KV		CAT / PART / ASSY NO. 228J3U	
REV DATE 04/11/13	SIZE B	DWG NO. --	DO NOT SCALE THIS DRAWING	DRN BY JVR	DATE 04/11/13
			REV 0	SHEET 1 OF 1	