

# 200A 28kV Junction

Conforms to all Requirements of IEEE Std. 386 - Latest Revision

**Ratings**

Maximum Continuous Voltage.....16.2 kV Phase-to-Ground  
28.0 kV Phase-to-Phase  
Continuous Current.....200 A rms

**Short-Time Current Ratings**

0.17 Sec. Duration.....10,000 A rms Symmetrical  
3.00 Sec. Duration.....3,500 A rms Symmetrical

**Insulation Withstand Voltages**

Basic Impulse Level.....125 kV Crest (1.2 x 50  $\mu$ Sec. wave)  
60 Hz (60 Sec.).....45 kV rms  
Partial Discharge Extinction Voltage (5 pC).....21.5 kV rms

**Switching**

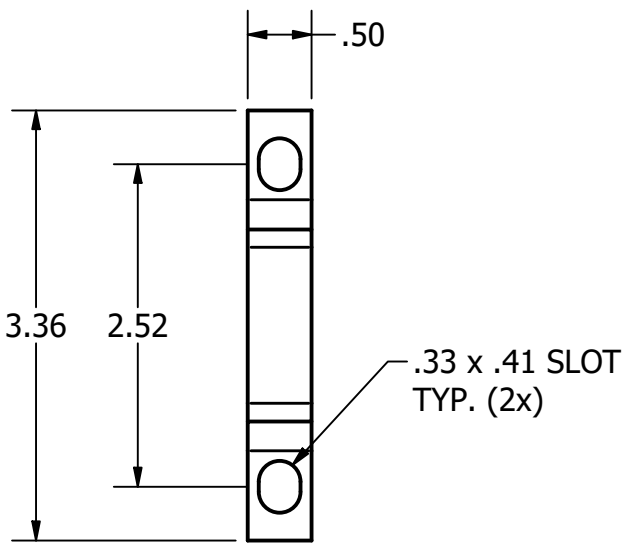
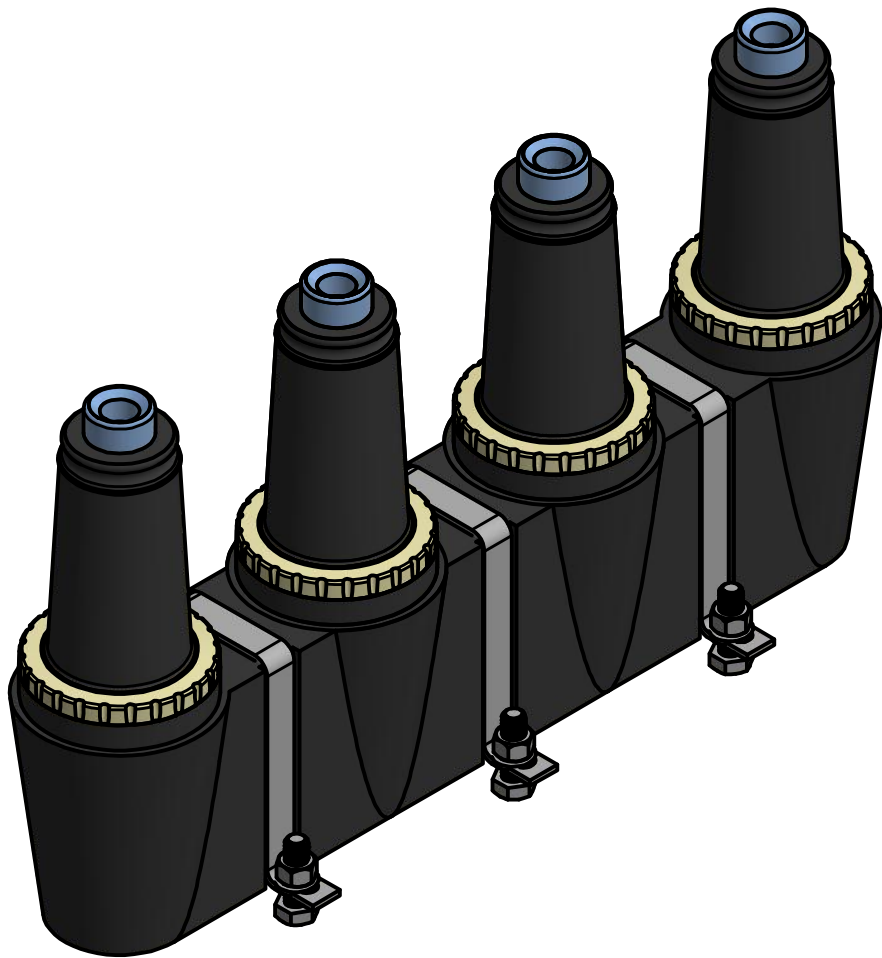
1-Phase & 3-Phase Circuits 16.2 kV Phase-to-Ground, 28.0 kV maximum across the open contacts. 10 make/break operations at 200 A with 0.70-0.80 lagging power factor.

**Fault Closure**

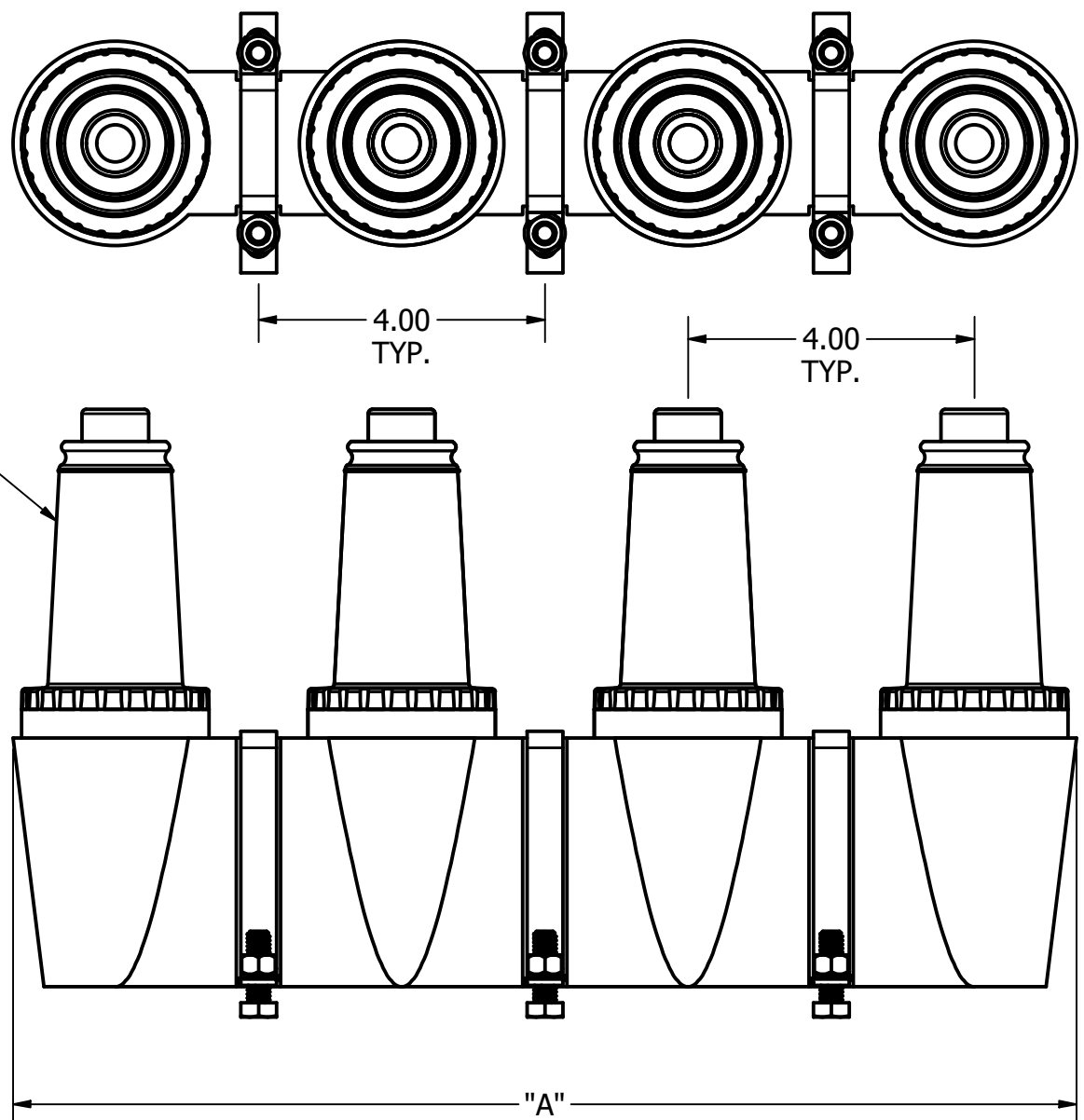
One Fault-Close Operation at max 16.2 kV Phase-to-Ground, or max 28.0 kV Phase-to-Phase; max 10,000 A rms Symmetrical, 10 Cycles (0.17 Sec.).

**Production Tests**

100% factory tested for Partial Discharge and either AC 60 Hz (45 kV for 60 Sec.) or Impulse (BIL) (125 kV 1.2 x 50  $\mu$ Sec. wave).



IEEE STD 386  
INTERFACE 7A



| CATALOG # | POINTS | A     |
|-----------|--------|-------|
| 228J2U    | 2      | 6.86  |
| 228J3U    | 3      | 10.86 |
| 228J4U    | 4      | 14.86 |

REV DATE 9/3/2021

|   |            |                                |              |
|---|------------|--------------------------------|--------------|
| HUBBELL POWER SYSTEMS, Inc.<br><small>POWER SYSTEMS, INC.</small> |            | TITLE                          |              |
|   |            | 200A 28kV JUNCTION<br>U-STRAPS |              |
| SIZE  | DWG NO.    | CAT / PART / ASSY NO.          | REV          |
| SB  | --         | 228JXU                         | 0            |
| DO NOT SCALE<br>THIS DRAWING                                      | DRN BY TDO | DATE 9/3/2021                  | SHEET 1 OF 1 |

CONTENTS ARE CONFIDENTIAL AND THE EXCLUSIVE PROPERTY OF HUBBELL POWER SYSTEMS. NO PUBLICATION, DISTRIBUTION OR COPIES MAY BE MADE WITHOUT THE WRITTEN CONSENT OF HUBBELL POWER SYSTEMS. HUBBELL POWER SYSTEMS UNPUBLISHED ALL RIGHTS RESERVED UNDER THE COPYRIGHT LAWS.