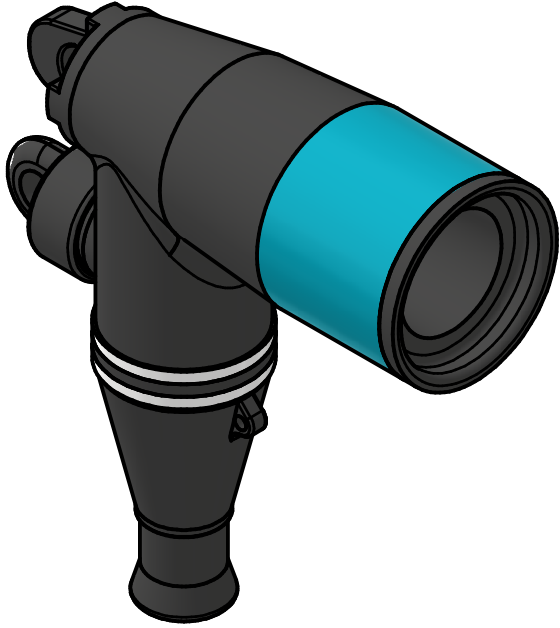


28KV 200A LOADBREAK ELBOW

1850 Richmond Ave East
Aiken, SC 29801
Phone: 803-648-8386
www.Hubbellpowersystems.com



Ratings

Maximum Continuous Voltage.....16.2 kV Phase-to-Ground
28.0 kV Phase-to-Phase
Continuous Current.....200 A rms

Short-Time Current Ratings

0.17 Sec. Duration.....10,000 A rms Symmetrical
3.00 Sec. Duration.....3,500 A rms Symmetrical

Insulation Withstand Voltages

Basic Impulse Level.....125 kV Crest (1.2 x 50 µSec. wave)
60 Hz (60 Sec.).....45 kV rms
Partial Discharge Extinction Voltage (5 pC).....21.5 kV rms

Switching

1-Phase & 3-Phase Circuits 16.2 kV Phase-to-Ground, 28.0 kV maximum across the open contacts. 10 make/break operations at 200 A with 0.70-0.80 lagging power factor.

Fault Closure

One Fault-Close Operation at max 16.2 kV Phase-to-Ground, or max 28.0 kV Phase-to-Phase; max 10,000 A rms Symmetrical, 10 Cycles (0.17 Sec.).

Production Tests

100% factory tested for Partial Discharge and either AC 60 Hz (45 kV for 60 Sec.) or Impulse (BIL) (125 kV 1.2 x 50 µSec. wave). Test Point Verification Performed when applicable.

ORDERING INFORMATION

1. WHEN ORDERING INTEGRAL SEAL USE 228LEJ
2. SELECT ELBOW SIZE (X) BASED ON INSULATION DIAMETER
3. SELECT CONNECTOR SIZE (Y) BASED ON CONDUCTOR, OR "0" FOR NO CONNECTOR
4. ADD "P" TO THE END IF A PROBELOK CONNECTOR IS REQUIRED
5. ADD "C" TO THE END IF A COPPER CONNECTOR IS REQUIRED
6. ADD "T" TO THE END IF A TEST POINT IS REQUIRED
7. ADD "J" TO THE END IF A JACKET SEAL KIT IS REQUIRED
8. ADD "S" TO THE END IF A SHIELD ADAPTER KIT IS REQUIRED

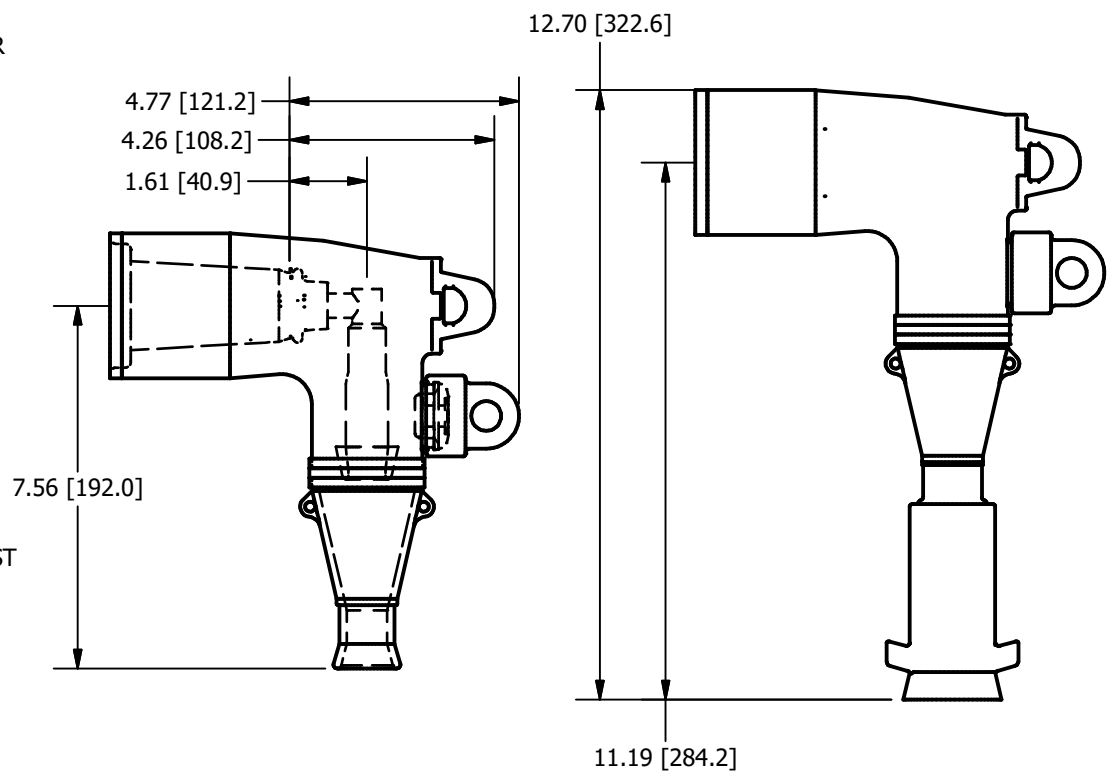
228LE(J)xy(P)(C)(T)(J)(S)

EXAMPLE 1: 228LE45
28KV 200A LOADBREAK ELBOW SIZE 4 WITH A SIZE 5 CONNECTOR

EXAMPLE 2: 228LEJ40T
28KV 200A LOADBREAK ELBOWSIZE 4 WITH INTEGRAL SEAL, NO CONNECTOR AND A TEST POINT

EXAMPLE 3: 228LE44TS
28KV 200A LOADBREAK ELBOWSIZE 4 WITH SIZE 4 CONNECTOR, A TEST POINT AND A SHIELD ADAPTER

DIAMETER ACROSS INSULATION		
SIZE (X)	INCH	MM
3	.610-.880	15.5-22.4
4	.800-1.140	20.3-29.0
5	.920-1.310	23.4-33.3
6	1.070-1.310	27.2-33.3



DIMENSION IN PARENTHESIS ARE METRIC

CONN. CODE "Y"	CONDUCTOR SIZE		CONNECTOR DIA	CRIMPING INFO
	STD OR COMPRESSED	SOLID OR COMPACTED		MANUFACTURER, DIE, (CRIMPS)
2	-	2	.625 [15.8]	HUBBELL (ANDERSON), VERSACRIMP (5)
3	2	1		BURNDY, BG(6), W-BG (3), W243 (4)
4	1	1/0		
5	1/0	2/0		U-BG (3), U243 (2)
6	2/0	3/0	.780 [19.8]	HUBBELL (ANDERSON), VERSACRIMP (5)
7	3/0	4/0		
8	4/0	250		



HUBBELL POWER SYSTEMS, Inc.

TITLE
**28KV 200A
LOADBREAK ELBOW**

CONTENTS ARE CONFIDENTIAL AND THE EXCLUSIVE PROPERTY OF HUBBELL POWER SYSTEMS. NO PUBLICATION, DISTRIBUTION OR COPIES MAY BE MADE WITHOUT THE WRITTEN CONSENT OF HUBBELL POWER SYSTEMS. HUBBELL POWER SYSTEMS UNPUBLISHED ALL RIGHTS RESERVED UNDER THE COPYRIGHT LAWS.

REV DATE
8/25/2023

SIZE SB	DWG NO. --	CAT / PART / ASSY NO. 228LE	REV 1
DO NOT SCALE THIS DRAWING	DRN BY TDO	DATE 9/3/2021	SHEET 1 OF 1