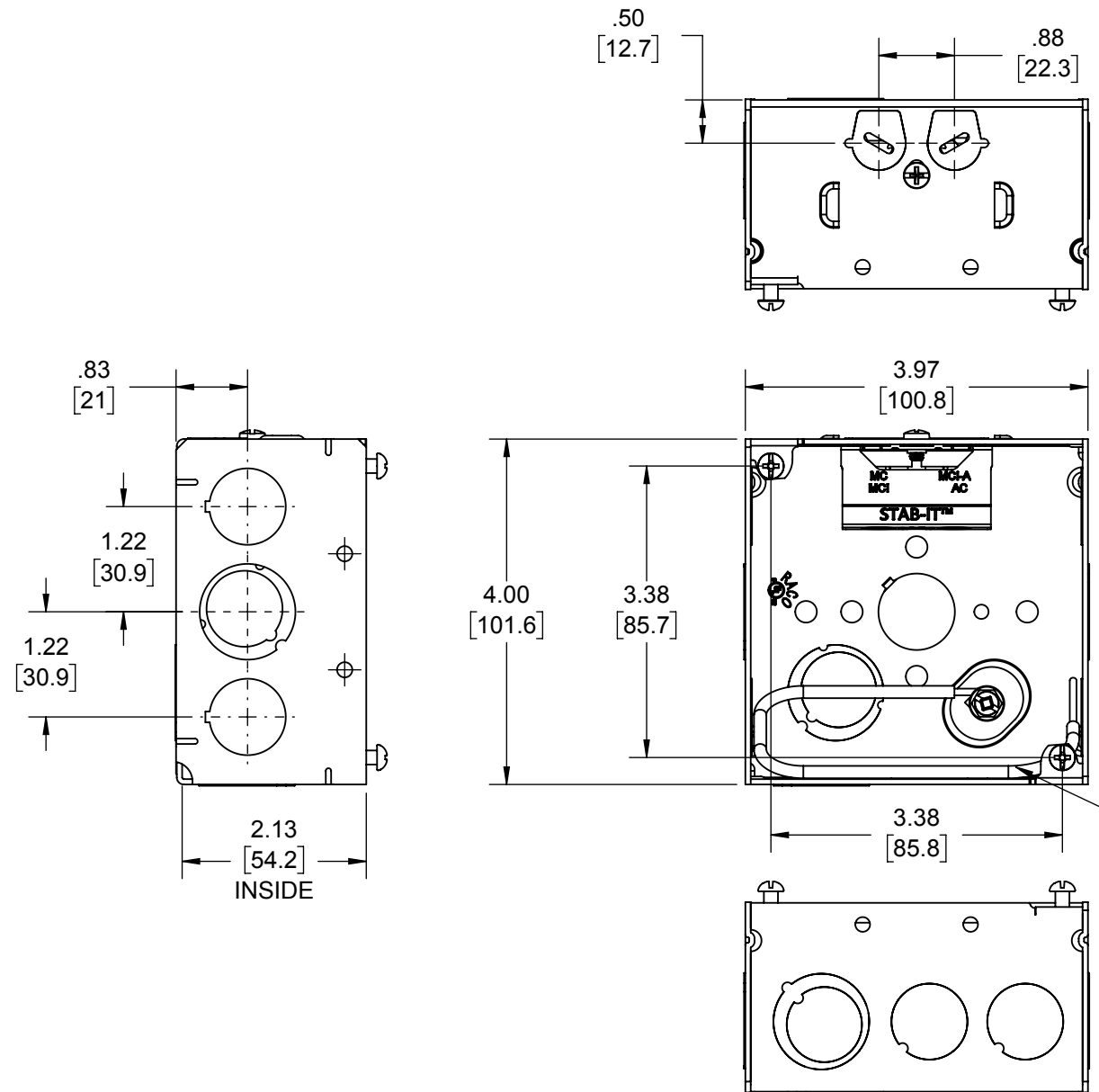
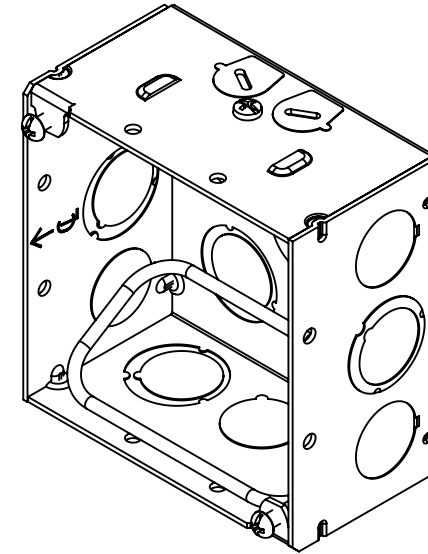


REVISIONS			
REV.	DATE	DESCRIPTION	BY:
-	04/28/15	INITIAL RELEASE	K.K.

FILE NO.:
232S CUS



U.L. LISTED 600 VOLT MINIMUM.
NO. 12 AWG GREEN TW INSULATED SOLID
COPPER WIRE CUT 8-1/2" LONG IN FLAT,
STRIPPED 1" IN FROM END.



NOTES:

1. ALL DIMENSIONS ARE IN INCHES AND [MILLIMETERS]
2. BOX VOLUME: 30.3 IN³ [496.5 CM³]
3. 1 #12AWG SOLID COPPER WIRE 8" LONG PIG TAIL WITH GROUNDING SCREW INCLUDED
4. UL LISTED

KNOCKOUTS	
TRADE SIZE	LOCATION
1/2" KO	1- ON THE BOTTOM, 2-ON EACH SIDE, 2 -ON THE SIDE OF THE SPACER
1/2", 3/4" TKO®	1- ON THE BOTTOM, 1-ON EACH SIDE, 1 -ON THE SIDE OF THE SPACER
CABLE PRIOUTS	2- ON THE SIDE OF THE SPACER

CABLE TYPES AND RANGES FOR STAB-IT CLAMP	
CABLE TYPES	CABLE RANGES
AC STEEL & ALUMINUM	14-2,14-3,14-4,12-2,12-3,12-4,10-2,10-3
HCF AC STEEL	14-2,14-3,14-4,12-2,12-3,10-2,10-3
HCF AC ALMINUM	12-2,12-3,12-4,10-2,10-3
MC STEEL & ALUMINIUM	14-2,14-3,14-4,12-2,12-3,12-4,10-2,10-3
MCI-A STEEL & ALUMINIUM	14-2,14-3,14-4,12-2,12-3,12-4,10-2,10-3
HCF MCI-A STEEL	12-2,12-3,10-2
HCF MCI-A ALUMINIUM	14-2,14-3,14-4,12-2,12-3,12-4,10-2,10-3
3/8 TRADE SIZE FLEX,REFMC CONDUIT STEEL & ALUMINUM. ANTI SHORT BUSHING REQUIRED	
CABLE RANGE .400" DIA. MIN TO .605" DIA. MAX	

DESCRIPTION	MATERIAL	FINISH
PIG TAIL	COPPER	
STAB-IT CLAMPS	STEEL	GALVANIZED
FASTENERS	STEEL	GALVANIZED
SIDE	STEEL	GALVANIZED
SPACER	STEEL	GALVANIZED

LIST OF PARTS
THE DESIGN AND DIMENSIONS OF THE
PRODUCT SHOWN ON THIS DRAWING ARE
SUBJECT TO CHANGE WITHOUT NOTICE

TITLE:
**4" SQ. 2-1/8" DEEP WELDED BOX
WITH STAB-IT™ BX/MC CABLE CLAMP**

TOLERANCE UNLESS OTHERWISE SPECIFIED			DRAWN BY: K.K.	SCALE: 1:2
.XX DECIMAL ±.015 .XXX DECIMAL ±.005 ANGLE ±2°			APP. BY: N.S.	DATE: 04/28/15

DIMENSION SHEET FOR CAT. NO.
232S

SIZE: **B**
1/16" x 1 1/16"