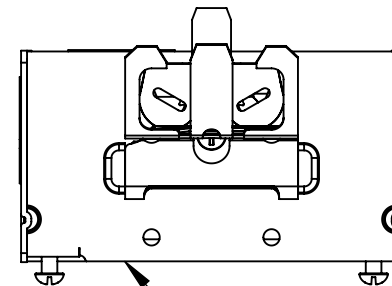
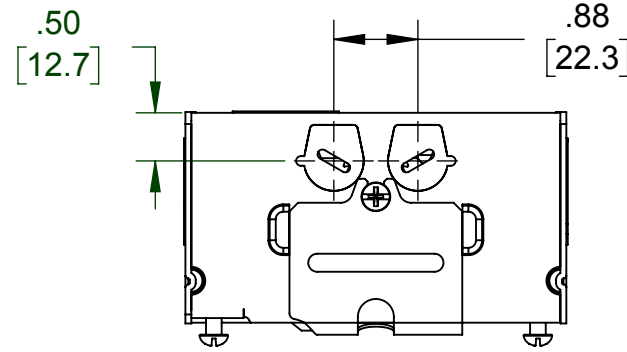
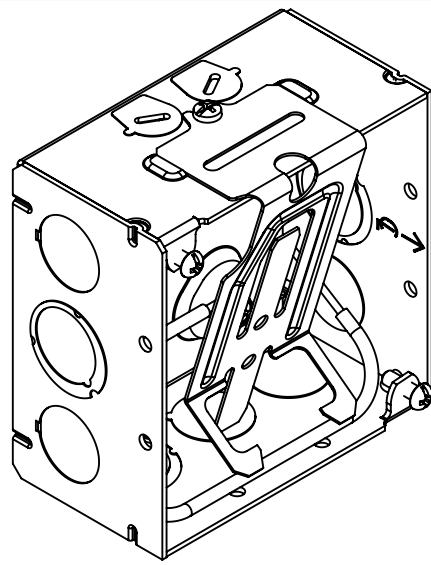


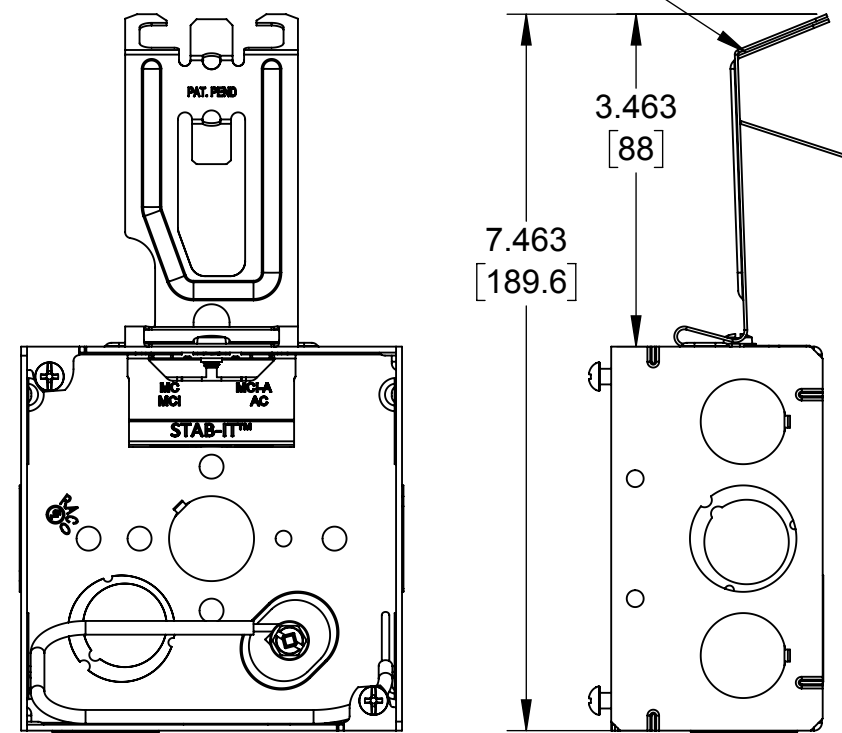
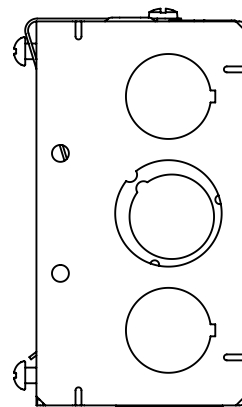
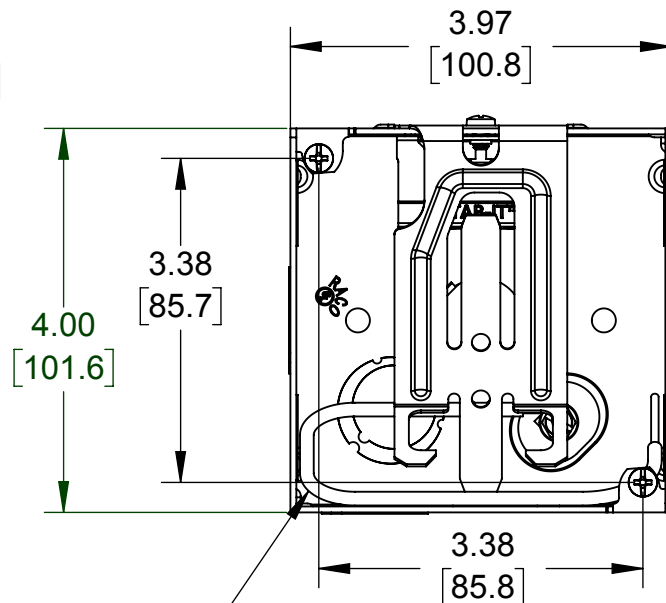
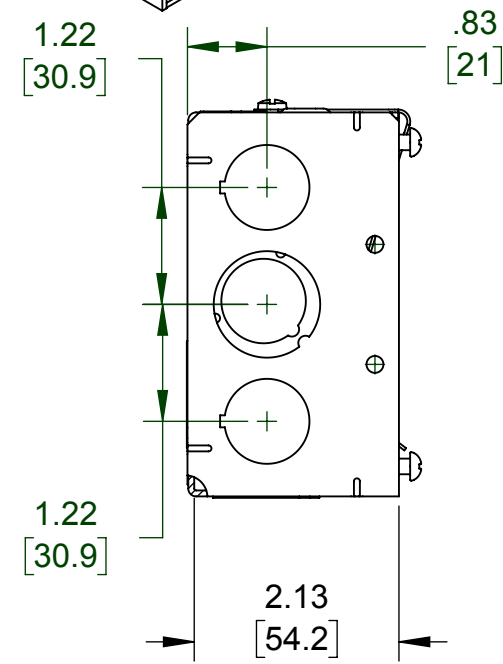
LIST OF PARTS

DESCRIPTION	MATERIAL	FINISH
SPACER	STEEL	GALVANIZED
SIDES	STEEL	GALVANIZED
FASTENERS	STEEL	GALVANIZED
STAB-IT® CLAMP	STEEL	GALVANIZED
PIG TAIL	COPPER	SEE NOTE
CABLE MANAGEMENT	STEEL	GALVANIZED

NOTE: FOR INSTRUCTION SHEET SCROLL DOWN TO NEXT SHEET



INSTALLED



(PIGTAIL)
 U.L. LISTED 600 VOLT MAXIMUM.
 NO. 12 AWG GREEN TW INSULATED
 SOLID
 COPPER WIRE CUT 8-1/2" LONG IN FLAT,
 STRIPPED 1" IN FROM EACH END WITH
 #10-32 X 3/8" GROUND SCREW W/ COMBO
 HEX WASHER HEAD (SLOTTED, #2
 PHILLIPS AND ROBERTSON)

- NOTES:**
1. ALL DIMENSIONS ARE IN INCHES AND [MILLIMETERS]
 2. BOX VOLUME: 30.3 IN³ [496.5 CM³]
 3. 1 #12AWG SOLID COPPER WIRE 8" LONG PIG TAIL WITH GROUNDING SCREW INCLUDED
 4. UL LISTED

KNOCKOUTS	
TRADE SIZE	LOCATION
1/2" KO	1- ON THE BOTTOM, 2-ON EACH SIDE, 2- ON THE SIDE OF THE SPACER
1/2", 3/4" TKO®	1- ON THE BOTTOM, 1-ON EACH SIDE, 1 -ON THE SIDE OF THE SPACER
CABLE PRIOUTS	2- ON THE SIDE OF THE SPACER

CABLE TYPES AND RANGES FOR STAB-IT CLAMP	
CABLE TYPES	CABLE RANGES
AC STEEL & ALUMINIUM	14-2,14-3,14-4,12-2,12-3,12-4,10-2,10-3
HCF AC STEEL	14-2,14-3,14-4,12-2,12-3,10-2,10-3
HCF AC ALMINUM	12-2,12-3,12-4,10-2,10-3
MC STEEL & ALUMINIUM	14-2,14-3,14-4,12-2,12-3,12-4,10-2,10-3
MCI-A STEEL & ALUMINIUM	14-2,14-3,14-4,12-2,12-3,12-4,10-2,10-3
HCF MCI-A STEEL	12-2,12-3,10-2
HCF MCI-A ALUMINIUM	14-2,14-3,14-4,12-2,12-3,12-4,10-2,10-3
3/8 TRADE SIZE FLEX,REFMC CONDUIT STEEL & ALUMINIUM. ANTI SHORT BUSHING REQUIRED	
CABLE RANGE .400" DIA. MIN TO .605" DIA. MAX	

SYMBOL	REVISION DESCRIPTION	APP	DATE
	INITIAL RELEASE	K.K.	

THE DESIGN AND DIMENSIONS OF THE PRODUCT SHOWN ON THIS DRAWING ARE SUBJECT TO CHANGE WITHOUT NOTICE

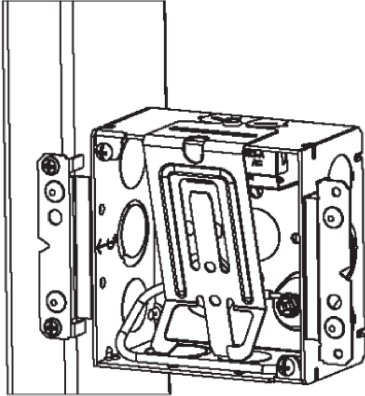
TITLE:
4" SQ. 2-1/8" DEEP WELDED BOX WITH STAB-IT® BX/MC CABLE CLAMP AND CABLE MANAGEMENT

RACO South Bend, Indiana		SCALE: B
DRAWN BY:	K.K.	1:2
APP. BY:	N.S.	
DATE:	4/28/2015	

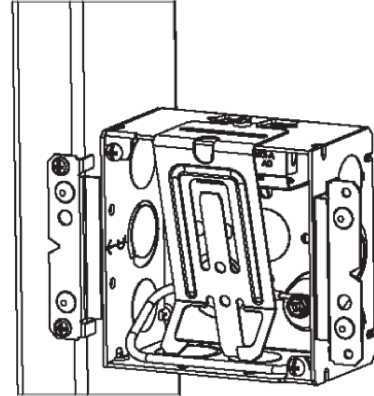
TOLERANCE UNLESS OTHERWISE SPECIFIED
 .XX DECIMAL ±.015
 .XXX DECIMAL ±.005
 ANGLE ±2°

Instructions For Using the RACO® Cable Support Bracket with STAB-IT® Boxes

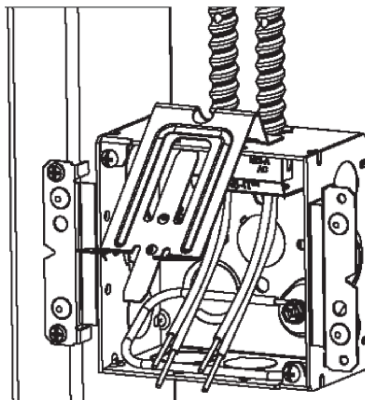
Step 1. Install box to stud.



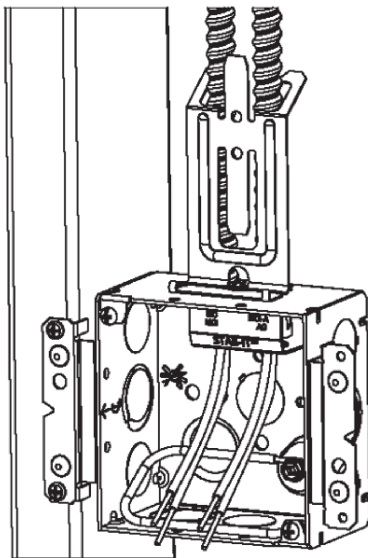
Step 2. Remove Pry-Out(s).



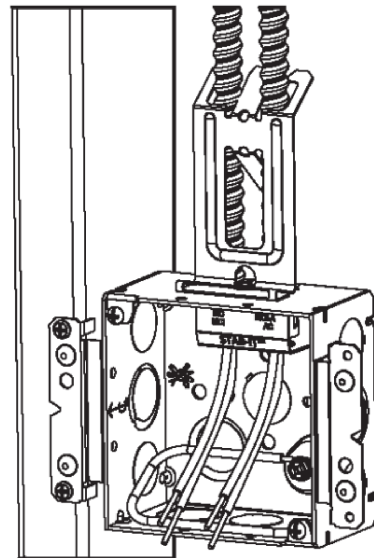
Step 3. Pre-bend Cable Support Bracket as shown and install cables.



Step 4. Bend Cable Support Bracket as shown.



Step 5. Bend down two center tabs to lock cables as shown.



Hubbell Electrical Products
Hubbell Incorporated (Delaware)

RACO INC.

3902 W. Sample St. P.O. Box 4002 South Bend, IN 46634

Phone: (574) 234-7151 FAX (574) 283-4244

MADE IN CHINA

RA-Instr 345

119088