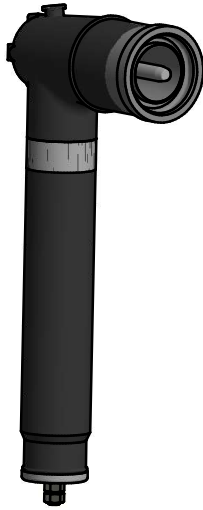


35KV CLASS ELBOW ARRESTER

1850 Richmond Ave East
Aiken, SC 29801
Phone: 803-648-8386
www.Hubbellpowersystems.com



Insulation Withstand Voltages

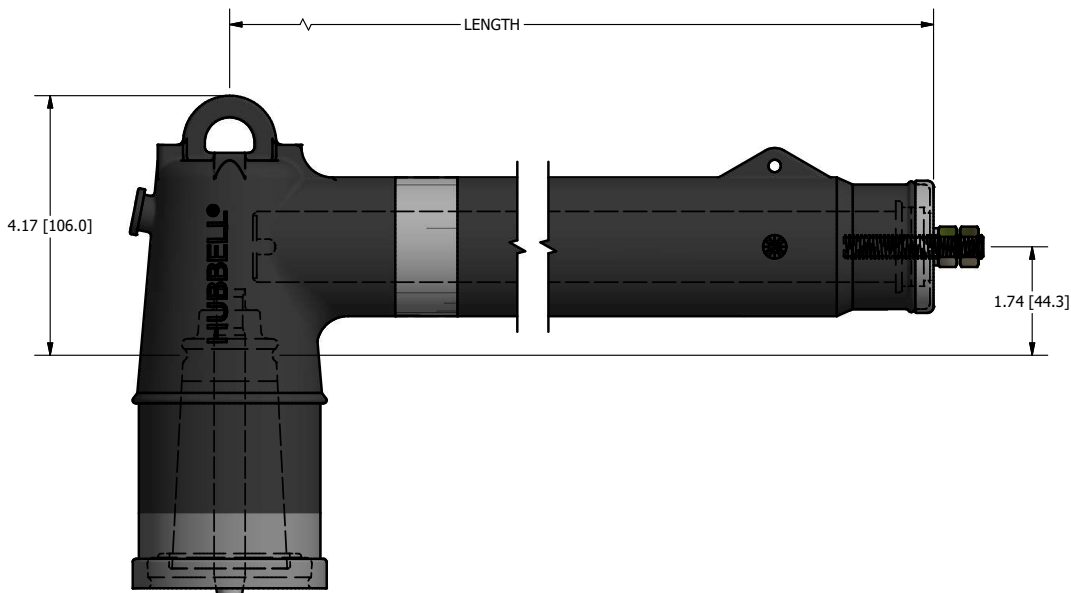
Basic Impulse Level.....150 kV Crest (1.2 x 50 μSec. wave)
60 Hz (60 Sec.).....50 kV rms
Partial Discharge Extinction Voltage (5 pC).....26 kV rms

Deadfront Arrester Failure Mode Test

Hubbell Elbow Arresters meet the requirements of IEEE Std. C62.11 Clause 8.17

Production Tests

100% factory tested for Partial Discharge



Catalog Number	MCOV kV	Rating kV	0.5 μsec. 5kA Max IR-	Maximum Discharge Voltage (kV Crest) 8x20 μsec. Current Wave						Length (in)
				1.5 kA	3.0 kA	5.0 kA	10 kA	20kA	40 kA	
235ELA24	19.5	24.0	79.7	62.9	67.0	71.4	80.4	92.9	116.2	10.2
235ELA27	22.0	27.0	89.6	70.8	75.4	80.4	90.5	104.6	130.7	13.7
235ELA30	24.4	30.0	99.5	78.7	83.8	89.3	100.6	116.2	145.2	13.7
235ELA33	26.9	33.0	107.6	86.6	92.2	98.3	110.7	127.9	159.8	13.7

HUBBELL POWER SYSTEMS, Inc. POWER SYSTEMS, INC.		TITLE	
		35KV CLASS SMALL INTERFACE ELBOW ARRESTER	
SIZE	DWG NO.	CAT / PART / ASSY NO.	REV
SB	030844-00	235ELA	3
DO NOT SCALE THIS DRAWING		DRN BY BVB	DATE 4/13/2021 SHEET 1 OF 1

CONTENTS ARE CONFIDENTIAL AND THE EXCLUSIVE PROPERTY OF HUBBELL POWER SYSTEMS. NO PUBLICATION, DISTRIBUTION OR COPIES MAY BE MADE WITHOUT THE WRITTEN CONSENT OF HUBBELL POWER SYSTEMS. HUBBELL POWER SYSTEMS UNPUBLISHED ALL RIGHTS RESERVED UNDER THE COPYRIGHT LAWS.

REV DATE 12/14/2021