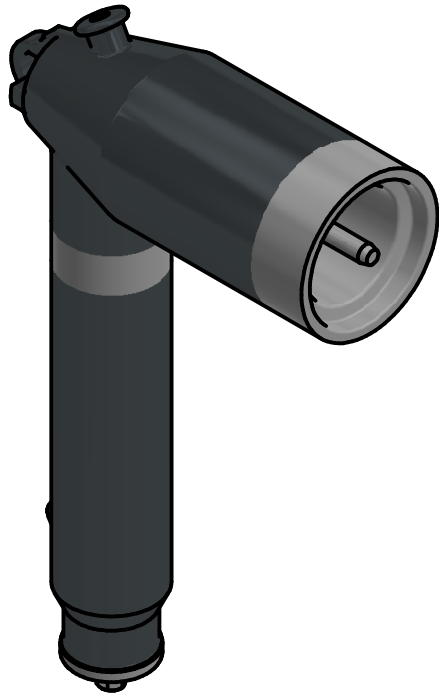


35KV CLASS ELBOW ARRESTER

1850 Richmond Ave East
Aiken, SC 29801
Phone: 803-648-8386
www.Hubbellpowersystems.com



Insulation Withstand Voltages

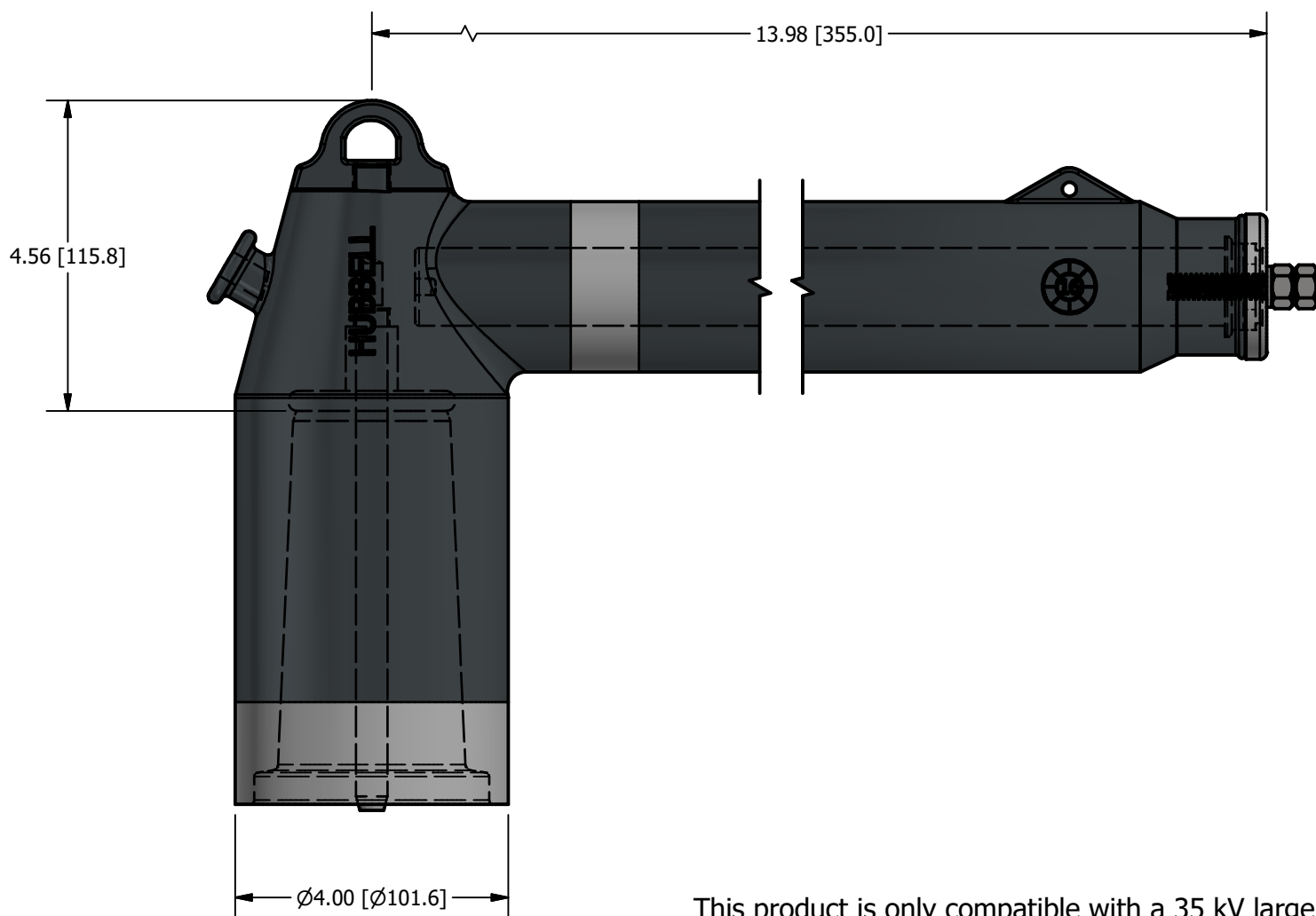
Basic Impulse Level.....150 kV Crest (1.2 x 50 μSec. wave)
60 Hz (60 Sec.).....50 kV rms
Partial Discharge Extinction Voltage (5 pC).....26 kV rms

Deadfront Arrester Failure Mode Test

The Hubbell Sure-Break™ Elbow Arresters meet the requirements of IEEE Std. C62.11 Clause 8.17

Production Tests

100% factory tested for Partial Discharge



This product is only compatible with a 35 kV large interface, Interface 8 of IEEE Std. 386.

Catalog Number	MCOV kV	Rating kV	0.5 μsec. 5kA Max IR-	Maximum Discharge Voltage (kV Crest) 8x20 μsec. Current Wave					
				1.5 kA	3.0 kA	5.0 kA	10 kA	20kA	40 kA
236ELA27	22.0	27.0	88.0	70.8	75.4	80.4	90.5	104.6	130.7
236ELA30	24.4	30.0	97.8	78.7	83.8	89.3	100.6	116.2	145.2
236ELA33	26.9	33.0	107.6	86.6	92.2	98.3	110.7	127.9	159.8
236ELA36	29.0	36.0	117.4	94.4	100.5	107.2	120.7	139.4	174.3



HUBBELL POWER SYSTEMS, Inc.

TITLE
**35KV CLASS LARGE INTERFACE
ELBOW ARRESTER**

SIZE SB	DWG NO. -	CAT / PART / ASSY NO. 236ELA	REV 1
-------------------	--------------	--	-----------------

REV DATE
08/25/2021

CONTENTS ARE CONFIDENTIAL AND THE EXCLUSIVE PROPERTY OF HUBBELL POWER SYSTEMS. NO PUBLICATION, DISTRIBUTION OR COPIES MAY BE MADE WITHOUT THE WRITTEN CONSENT OF HUBBELL POWER SYSTEMS. HUBBELL POWER SYSTEMS UNPUBLISHED ALL RIGHTS RESERVED UNDER THE COPYRIGHT LAWS.

DO NOT SCALE THIS DRAWING | DRN BY TDO | DATE 08/16/2021 | SHEET 1 OF 1