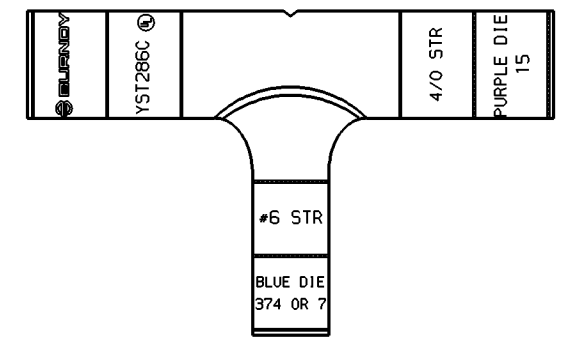
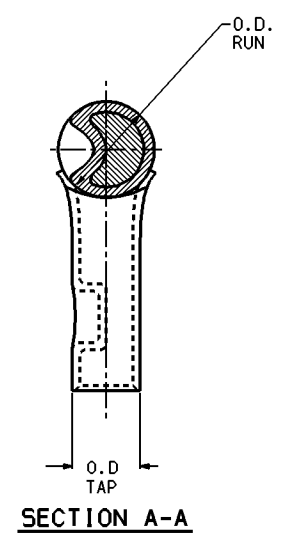
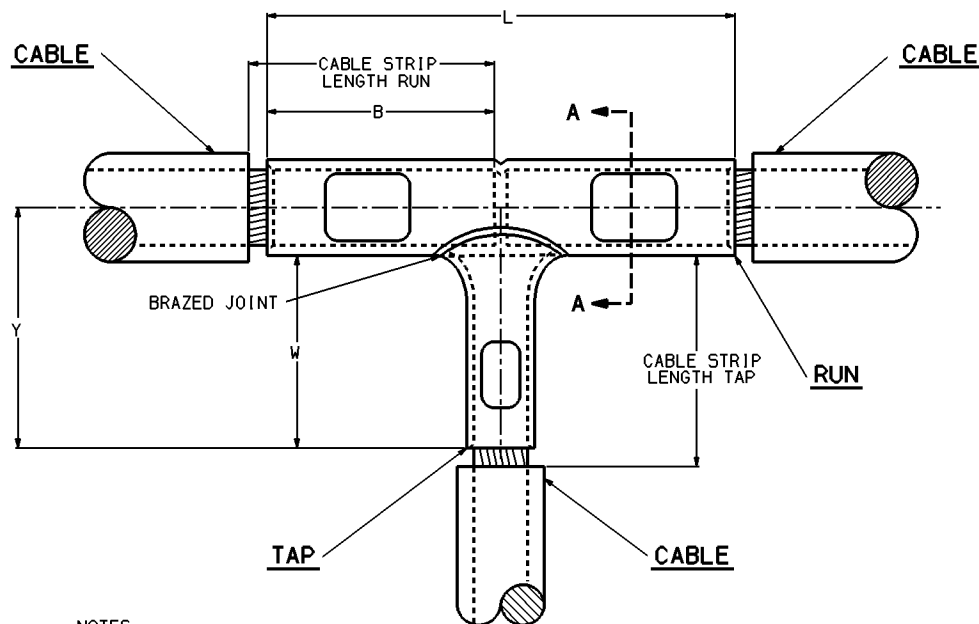


ACCOMMODATES		CATALOG NUMBER	DIMENSIONS						CABLE STRIP LENGTH		INSTALLATION TOOLING						REV.	DATE	DESCRIPTION	BY	C'K'D.				
RUN	TAP		DIELESS TOOLS RUN & TAP		RUN			TAP			MECHANICAL HY29-3 (2)		HYDRAULIC HY29-11 (2)		DIE INDEX							COLOR CODE		DIE NUMBER (# OF CRIMPS)	
			B [mm]	L [mm]	W MIN [mm]	Y [mm]	O.D. RUN	O.D. TAP	RUN [mm]	TAP [mm]	HY29-3 (2)	HY29-11 (2)	DIE INDEX	COLOR CODE	DIE NUMBER (# OF CRIMPS)	DIE INDEX						COLOR CODE	DIE NUMBER (# OF CRIMPS)		
4/0 STR. (.528 DIA.) [13 DIA.]	#6 STR. (.184 DIA.) [4.7 DIA.]	YST286C	1.62 [41]	3.81 [97]	1.38 [35]	2.02 [51]	.69 [18]	.29 [7.4]	1-11/16 [43]	1-7/16 [36]	HY29-3 (2)	HY29-11 (2)	Y644M (1 CRIMP)	15	PURPLE	U28RT (2)	7	BLUE	USCRT (2)						
4/0 STR. (.528 DIA.) [13 DIA.]	#4 STR. (.232 DIA.) [5.9 DIA.]	YST284C	1.62 [41]	3.88 [99]	1.38 [35]	2.00 [51]	.69 [18]	.34 [8.6]	1-11/16 [43]	1-7/16 [36]	HY29-3 (2)	HY29-11 (2)	Y644M (1 CRIMP)	15	PURPLE	U28RT (2)	8	GRAY	U4CRT (2)						
4/0 STR. (.528 DIA.) [13 DIA.]	#2 STR. (.291 DIA.) [7.4 DIA.]	YST282C	1.62 [41]	3.94 [100]	1.50 [38]	2.09 [53]	.69 [18]	.42 [10.5]	1-11/16 [43]	1-9/16 [40]	HY29-3 (2)	HY29-11 (2)	Y644M (1 CRIMP)	15	PURPLE	U28RT (2)	10	BROWN	U2CRT (2)						
4/0 STR. (.528 DIA.) [13 DIA.]	#1 STR. (.330 DIA.) [8.4 DIA.]	YST281C	1.62 [41]	4.00 [101]	1.56 [40]	2.12 [54]	.69 [18]	.46 [12]	1-11/16 [43]	1-5/8 [41]	HY29-3 (2)	HY29-11 (2)	Y644M (1 CRIMP)	15	PURPLE	U28RT (2)	11	GREEN	U1CRT (2)						
4/0 STR. (.528 DIA.) [13 DIA.]	1/0 STR. (.373 DIA.) [9.5 DIA.]	YST2825	1.62 [41]	4.00 [101]	1.56 [40]	2.06 [52]	.69 [18]	.51 [13]	1-11/16 [43]	1-5/8 [41]	HY29-3 (2)	HY29-11 (2)	Y644M (1 CRIMP)	15	PURPLE	U28RT (2)	12	PINK	U25RT (2)						
4/0 STR. (.528 DIA.) [13 DIA.]	2/0 STR. (.419 DIA.) [10.6 DIA.]	YST2826	1.62 [41]	4.06 [103]	1.62 [41]	2.03 [52]	.69 [18]	.56 [14]	1-11/16 [43]	1-11/16 [43]	HY29-3 (2)	HY29-11 (2)	Y644M (1 CRIMP)	15	PURPLE	U28RT (2)	13	BLACK	U28RT (2)						
4/0 STR. (.528 DIA.) [13 DIA.]	4/0 STR. (.528 DIA.) [13 DIA.]	YST2828	1.62 [41]	4.18 [106]	1.75 [44]	2.15 [55]	.69 [18]	.69 [18]	1-11/16 [43]	1-13/16 [46]	HY29-3 (2)	HY29-11 (2)	Y644M (1 CRIMP)	15	PURPLE	U28RT (2)	15	PURPLE	U28RT (2)						



- NOTES:
- MATERIAL: COPPER
 - FINISH: TIN PLATE
 - DIMENSIONS IN BRACKETS [] ARE IN MILLIMETERS.
 - ▶ THE MAXIMUM CABLE SIZE CRIMPED BY THE Y35 IS 400 Kcmil COPPER.
 - ▶ USE ADAPTOR (CAT NO. P-UADP) WITH "U" DIES IN Y46 HYPRESS.
 - FOR ADDITIONAL TOOLING, REFERENCE BURNDY CATALOG INSTALLATION TOOL INDEX.
 - SHOWN INSTALLED WITH NEST AND INDENTOR.

COUPLER TEE CONNECTOR

CAT NO: YST28- (TABLE)	SCALE: N/A
DRAWN: J GAUDET	9/22/92 CHECKED: D FILLION 9/29/92
DESIGN APPVL: C PALAGI	12/9/92 MFG APPVL: N/A
D.A. APPVL: A LLOYD	5/12/93 MFG APPVL: D HAMILTON 4/26/93
3D FILE: SE23886-SMT10	PH. REF: N/A
MFG. REF: N/A	
PROJECT: D. O. 52396	
DRAWING NO. SE23886	
SHEET 10 of 21	