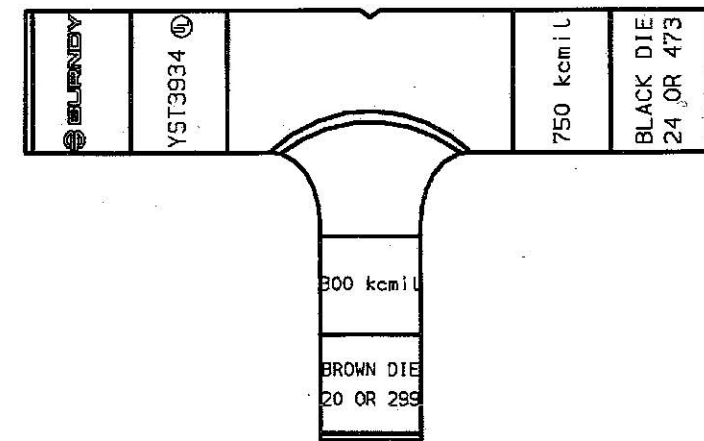
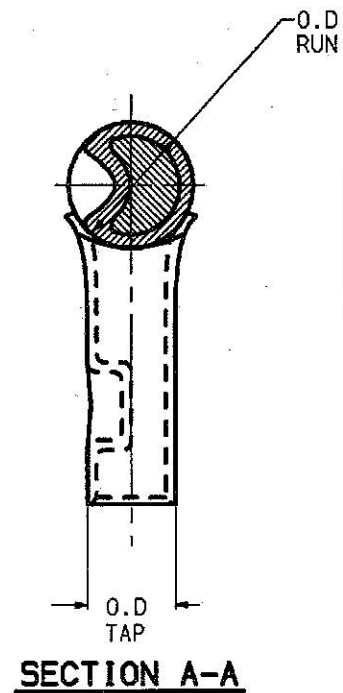
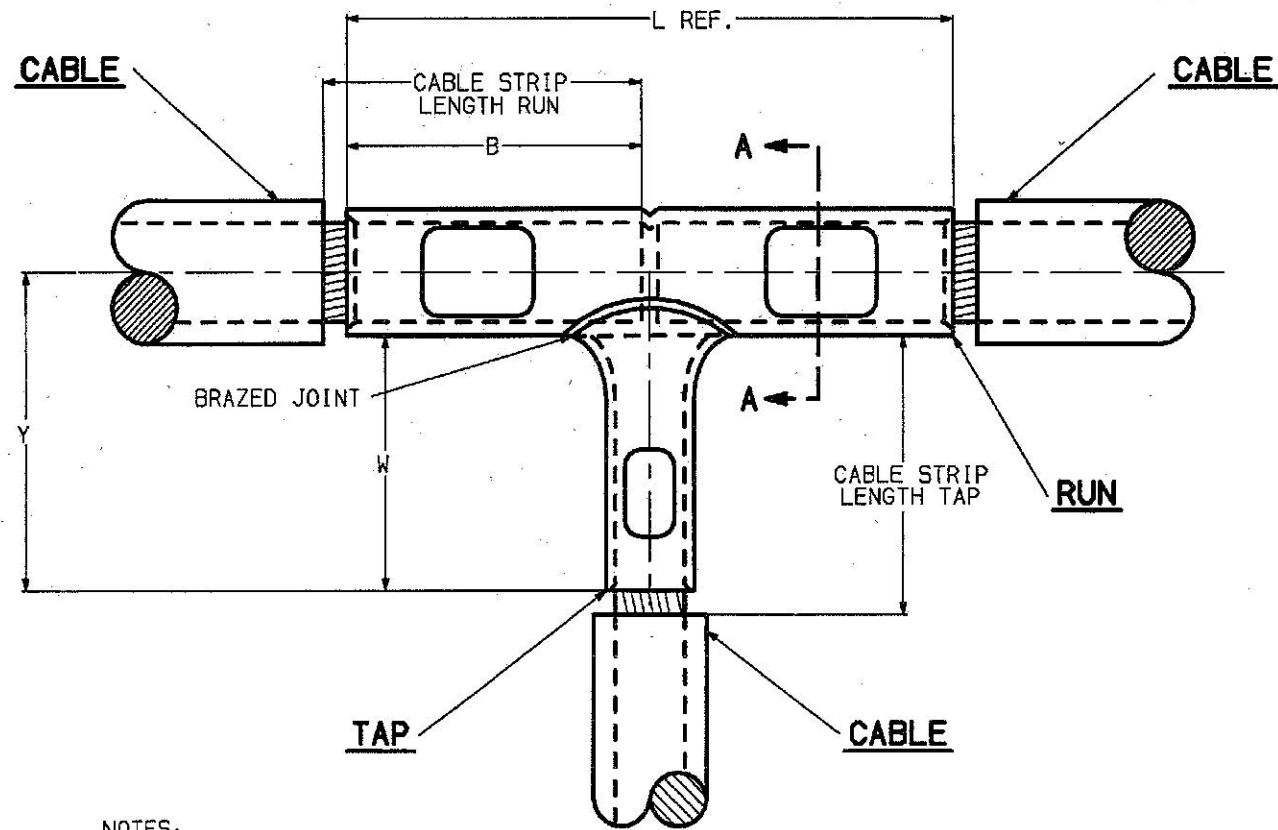


| ACCOMMODATES | | CATALOG NUMBER | DIMENSIONS | | | | | | CABLE STRIP LENGTH | | INSTALLATION TOOLING | | | | | | | |
|---------------------------------|---------------------------------|----------------|------------|-------------|------------|------------|---------------|---------------|--------------------|-------------|----------------------------|-------------------|-----------|------------|--------------------------|-----------|------------|--------------------------|
| RUN | TAP | | B [mm] | L REF. [mm] | W MIN [mm] | Y [mm] | O.D. RUN [mm] | O.D. TAP [mm] | RUN [mm] | TAP [mm] | DIELESS TOOLS RUN & TAP | | RUN | | | TAP | | |
| | | | | | | | | | | | MECHANICAL HYTOOL (CRIMPS) | HYDRAULIC HYPRESS | DIE INDEX | COLOR CODE | DIE NUMBER (# OF CRIMPS) | DIE INDEX | COLOR CODE | DIE NUMBER (# OF CRIMPS) |
| 750 Kcmil (.998 DIA.) [25 DIA.] | 500 Kcmil (.814 DIA.) [23 DIA.] | YST3934 | 2.88 [73] | 7.88 [200] | 2.50 [64] | 3.15 [80] | 1.30 [33] | 1.06 [27] | 2-15/16 [75] | 2-9/16 [65] | ----- | Y644M (1 CRIMP) | 24 | BLACK | U39RT (4) | 20 | BROWN | U34RT (4) |
| 750 Kcmil (.998 DIA.) [25 DIA.] | 750 Kcmil (.998 DIA.) [25 DIA.] | YST3939 | 2.88 [73] | 8.12 [206] | 3.34 [85] | 4.06 [103] | 1.30 [33] | 1.30 [33] | 2-15/16 [75] | 3-7/16 [87] | ----- | Y644M (1 CRIMP) | 24 | BLACK | U39RT (4) | 24 | BLACK | U39RT (4) |



NOTES:

1. MATERIAL: COPPER
2. FINISH: TIN PLATE
3. DIMENSIONS IN BRACKETS [] ARE IN MILLIMETERS.
4. THE MAXIMUM CABLE SIZE CRIMPED BY THE Y35 IS 400 Kcmil COPPER.
5. USE ADAPTOR (CAT NO. P-UADP) WITH "U" DIES IN Y46 HYPRESS.
6. FOR ADDITIONAL TOOLING, REFERENCE BURNDY CATALOG INSTALLATION TOOL INDEX.
7. SHOWN INSTALLED WITH NEST AND INDENTOR.

| REV. | DATE | DESCRIPTION | ECO | BY | C'K'D. |
|------|----------|----------------------------|------|----|--------|
| 1 | 12/28/00 | CHANGED L DIM TO A REF DIM | 6136 | BM | RB |

TO ORDER BURNDY PRODUCTS CALL 1-800-346-4175
 MANCHESTER, NH 03109, USA
 FOR PRODUCT INFO = <http://www.fciconnect.com>

COUPLER TEE CONNECTOR

CAT NO: YST39-(TABLE) SCALE: N/A

DRAWN: J. GAUDET 9/22/92 CHECKED: D. FILLION 9/29/92

DSGN APPVL: C. PALAGI 12/9/92 MFG APPVL: N/A

S.A. APPVL: A. LLOYD 5/12/93

MKTG APPVL: D. HAMILTON 4/26/92

CAD FILE: SE23886-19_1

MOL REF: N/A

BURNDY

DRAWING NO. SE23886 REV 1

SHEET 19 OF 21

REV. 01/2000