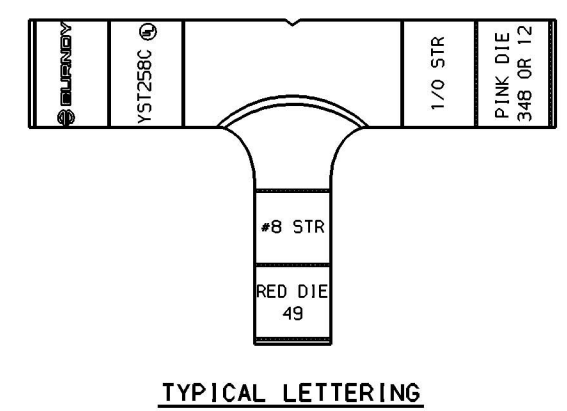
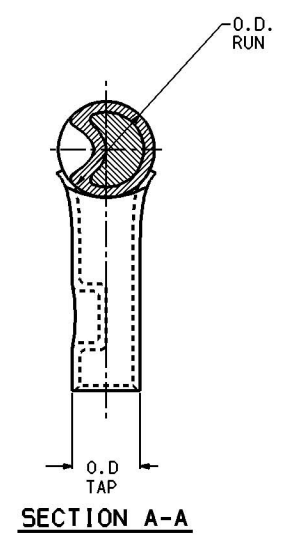
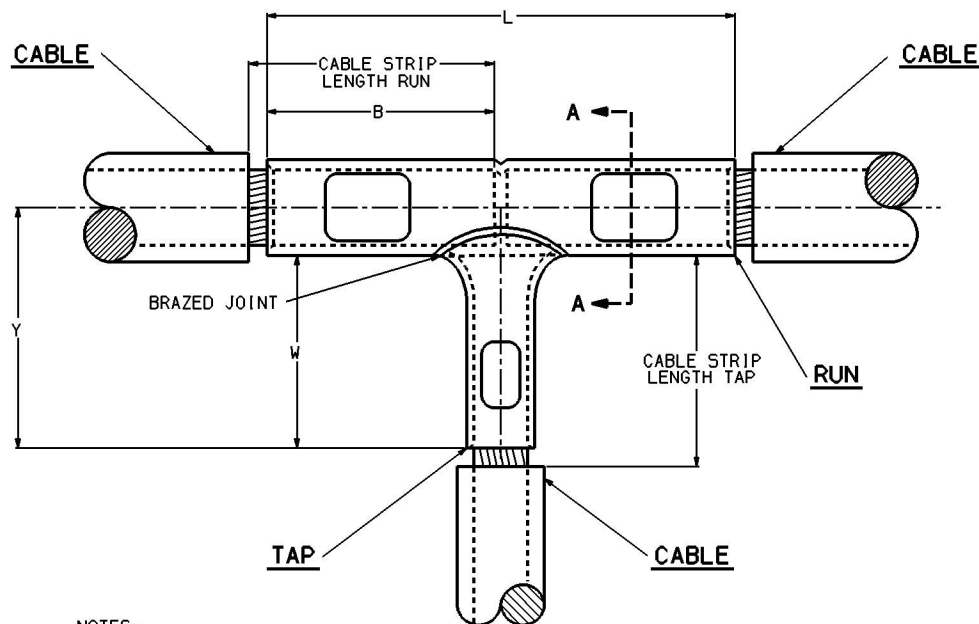


ACCOMMODATES		CATALOG NUMBER	DIMENSIONS						CABLE STRIP LENGTH		INSTALLATION TOOLING						REV.	DATE	DESCRIPTION	BY	C'K'D.
RUN	TAP		DIELESS TOOLS RUN & TAP		RUN			TAP													
			MECHANICAL HYTOOL (# OF CRIMPS)	HYDRAULIC HYPRESS	DIE INDEX	COLOR CODE	DIE NUMBER (# OF CRIMPS)	DIE INDEX	COLOR CODE	DIE NUMBER (# OF CRIMPS)											
1/0 STR. (.373 DIA.) [9.5 DIA.]	#8 STR. (.146 DIA.) [3.7 DIA.]	YST258C	1.38 [35]	3.56 [90]	1.38 [35]	1.84 [47]	.51 [13]	.26 [6.6]	1-7/16 [36]	1-7/16 [36]	MY29-3 (2) MY29-11 (2)	Y644M (1 CRIMP)	12	PINK	U25RT (2)	49	RED	UBCRT (2)			
1/0 STR. (.373 DIA.) [9.5 DIA.]	#6 STR. (.184 DIA.) [4.7 DIA.]	YST256C	1.38 [35]	3.56 [90]	1.38 [35]	1.83 [46]	.51 [13]	.29 [7.4]	1-7/16 [36]	1-7/16 [36]	MY29-3 (2) MY29-11 (2)	Y644M (1 CRIMP)	12	PINK	U25RT (2)	7	BLUE	USCRT (2)			
1/0 STR. (.373 DIA.) [9.5 DIA.]	#4 STR. (.232 DIA.) [5.9 DIA.]	YST254C	1.38 [35]	3.62 [92]	1.38 [35]	1.78 [45]	.51 [13]	.34 [8.6]	1-7/16 [36]	1-7/16 [36]	MY29-3 (2) MY29-11 (2)	Y644M (1 CRIMP)	12	PINK	U25RT (2)	8	GRAY	U4CRT (2)			
1/0 STR. (.373 DIA.) [9.5 DIA.]	#2 STR. (.291 DIA.) [7.4 DIA.]	YST252C	1.38 [35]	3.69 [94]	1.50 [38]	1.81 [46]	.51 [13]	.42 [10.5]	1-7/16 [36]	1-9/16 [40]	MY29-3 (2) MY29-11 (2)	Y644M (1 CRIMP)	12	PINK	U25RT (2)	10	BROWN	U2CRT (2)			
1/0 STR. (.373 DIA.) [9.5 DIA.]	#1 STR. (.330 DIA.) [8.4 DIA.]	YST251C	1.38 [35]	3.75 [95]	1.56 [40]	1.91 [48]	.51 [13]	.46 [12]	1-7/16 [36]	1-5/8 [41]	MY29-3 (2) MY29-11 (2)	Y644M (1 CRIMP)	12	PINK	U25RT (2)	11	GREEN	U1CRT (2)			
1/0 STR. (.373 DIA.) [9.5 DIA.]	1/0 STR. (.373 DIA.) [9.5 DIA.]	YST2525	1.38 [35]	3.81 [97]	1.56 [40]	1.91 [48]	.51 [13]	.51 [13]	1-7/16 [36]	1-5/8 [41]	MY29-3 (2) MY29-11 (2)	Y644M (1 CRIMP)	12	PINK	U25RT (2)	12	PINK	U25RT (2)			



- NOTES:
1. MATERIAL: COPPER
 2. FINISH: TIN PLATE
 3. DIMENSIONS IN BRACKETS [] ARE IN MILLIMETERS.
 4. THE MAXIMUM CABLE SIZE CRIMPED BY THE Y35 IS 400 Kcmil COPPER.
 5. USE ADAPTOR (CAT NO. P-UADP) WITH "U" DIES IN Y46 HYPRESS.
 6. FOR ADDITIONAL TOOLING, REFERENCE BURNDY CATALOG INSTALLATION TOOL INDEX.
 7. SHOWN INSTALLED WITH NEST AND INDENTOR.

COUPLER TEE CONNECTOR

CAT NO: YST25- (TABLE)	SCALE: N/A
DRAWN: J GAUDET	CHECKED: D FILLION
DESIGN APPVL: C PALAGI	12/9/92
DRAWN APPVL: A LLOYD	5/12/93
CAD FILE: SE23886-SMT07	PHI REF: N/A
PROJECT: D. O. 52396	
DRAWING NO. SE23886	
SHEET 7 OF 21	

REV. 11/93