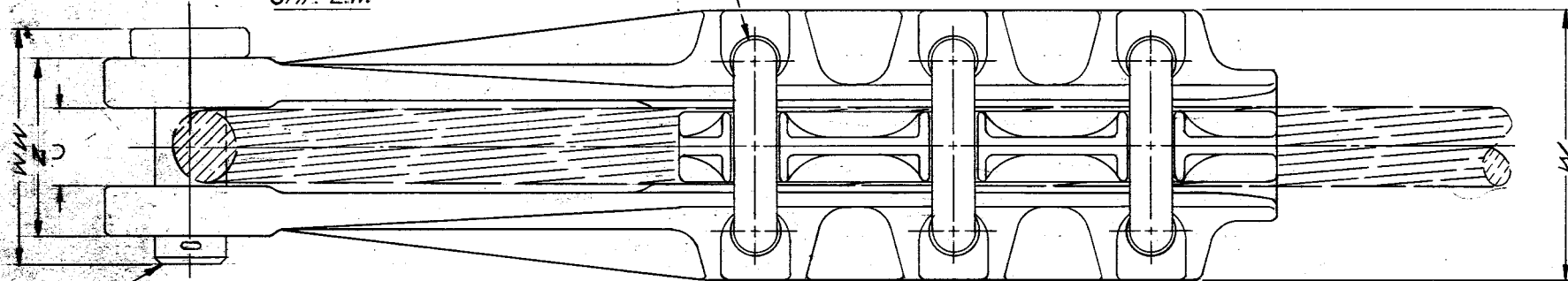
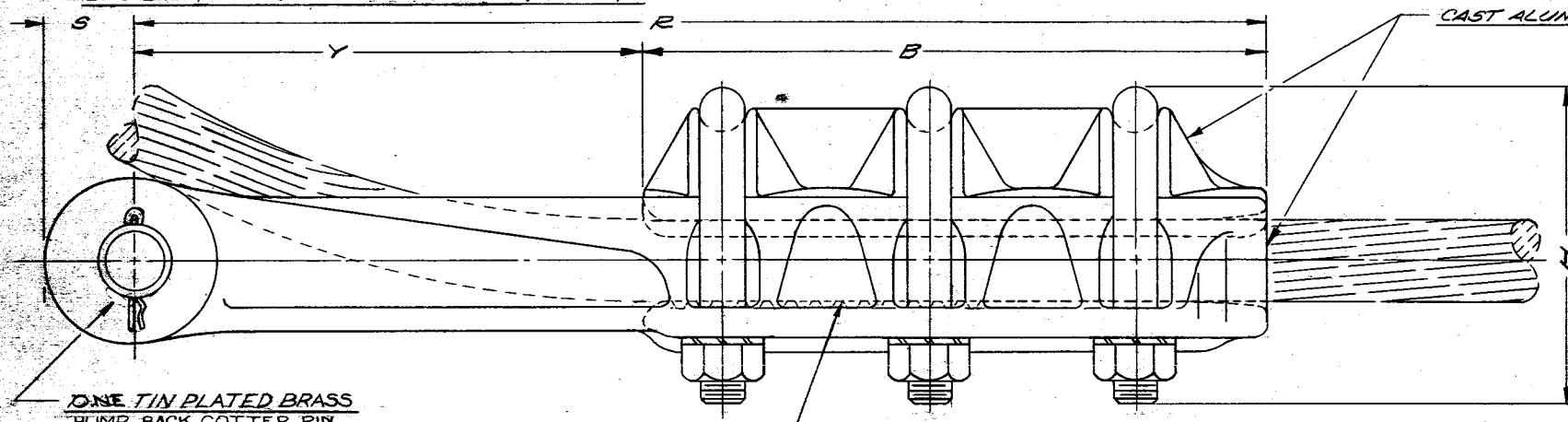


U	ACSR CABLE		ALUMINUM CABLE		CATALOG No.		B	H	J	K	R	S	W	WW	Y	Z	DUN-A REF. DWG.	DUN-AE REF. DWG.
	MIN.	MAX.	MIN.	MAX.	WITHOUT EYE	WITH EYE												
.70	*Z 7-1 (.325)	4/0 6-1 (.563)	*1 STR. (.330)	1/0 STR. (.528)	DUN28A	DUN28A-E	5.19	2.06	.375	.88	9.50	.91	2.25	2.34	4.31	1.44	FD25482	FD25509
.70	4/0 6-1 (.563)	336.4 MCM (1.681)	4/0 STR. (.528)	350 MCM (.681)	DUN31A	DUN31A-E	5.31	2.69	.375	1.00	9.62	1.06	2.38	2.67	4.31	1.76	FD25330	FD24783
.70	300 MCM 26-7 (.680)	477 MCM (1.814)	350 MCM (.681)	500 MCM (.814)	DUN34A	DUN34A-E	5.82	3.31	.500	1.12	10.38	1.09	3.00	2.67	4.62	1.76	FD25334	FD25489
.70	397.5 MCM 30-7 (.806)	900 MCM 54-7 (1.162)	500 MCM (.814)	1000 MCM (1.152)	DUN44A	DUN44A-E	6.19	4.61	.500	1.25	11.19	1.19	3.56	3.57	5.00	2.94	FD25323	FD25488
.70	397.5 MCM 30-7 (.806)	900 MCM 54-7 (1.162)	500 MCM (.814)	1000 MCM (1.152)	DUN44A-EG2		6.19	4.61	.500	1.25	11.19	1.19	3.56	3.57	5.00	2.94	SEE BELOW	
.81	900 MCM 54-7 (1.162)	1315.5 MCM 157 (1.386)	1000 MCM (1.152)	1500 MCM (1.413)	DUN46A-E		6.69	4.53	.69	1.25	12.44	1.00	4.00	3.47	5.75	2.56	PE 69380	

THREE J' DIA. TIN PLATED DURIUM  
U' BOLTS, SIX TIN PLATED DURIUM  
HEX. NUTS & SIX TIN PLATED BRONZE  
SHR. L.W.



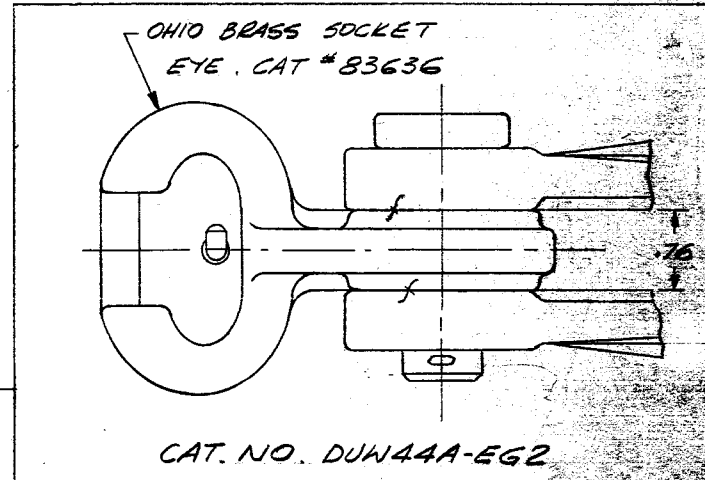
625 DIA. GALV. STEEL CLEVIS PIN (HEADED)



CAST ALUMINUM ALLOY BODY & CAP

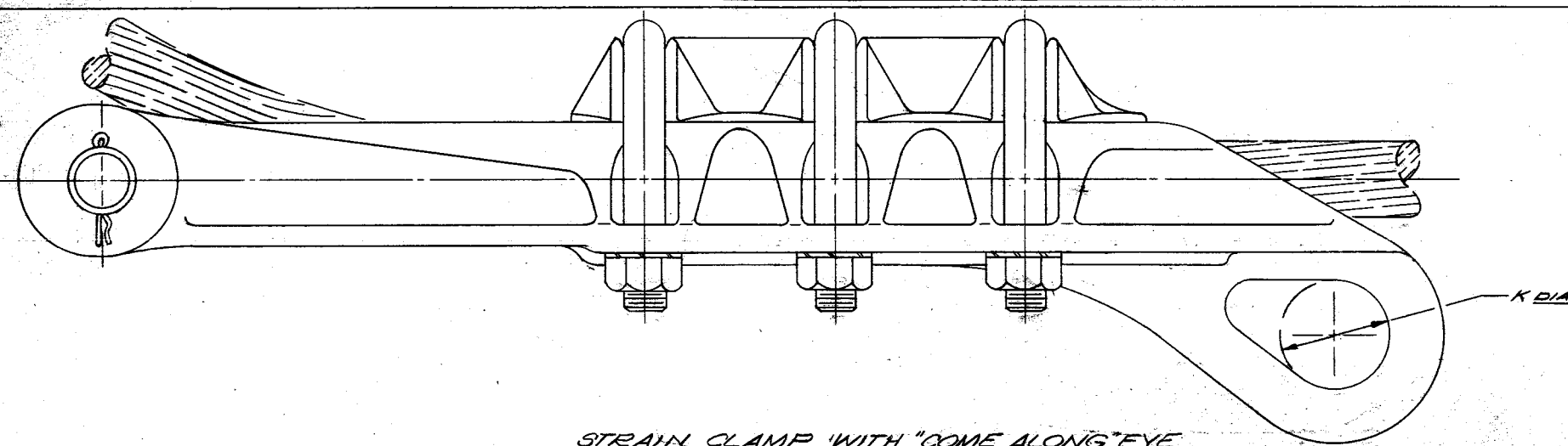
ONE TIN PLATED BRASS  
HUMP BACK COTTER PIN

SERRATED FOR PART OF CONTACT LENGTH ONLY.



OHIO BRASS SOCKET  
EYE, CAT # 83636

CAT. NO. DUN44A-EG2



K DIA.

STRAIN CLAMP WITH "COME ALONG" EYE

9	8-21-57	DUN 34 2' DIM WAS 2.06 CLEVIS PIN WAS NOT HEADED AND COTTER PIN WAS STRAIGHT (EC 1349)	LF	CED
8	8-1-57	SEE REV. REF. PRINT (EC 1346)	WTE	330
7	7-1-57	SEE REV. REF. PRINT (EC 1345)	WTE	330
6	6-1-57	SEE REV. REF. PRINT (EC 1344)	WTE	330
5	5-1-57	SEE REV. REF. PRINT (EC 1343)	WTE	330

12	8-21-57	REV. REF. PRINT	(EC 1345)	LHR	JPS
11	11-17-56	PROD. CAT. NO. DUN44A-E (DUN 34A)	(DUN 34A)	LHR	JPS
10	10-25-56	REV. REF. PRINT	(EC 1344)	LHR	JPS

STRAIN CLAMP  
TYPE DUN-A, DUN-AE  
REV. 11-7-51