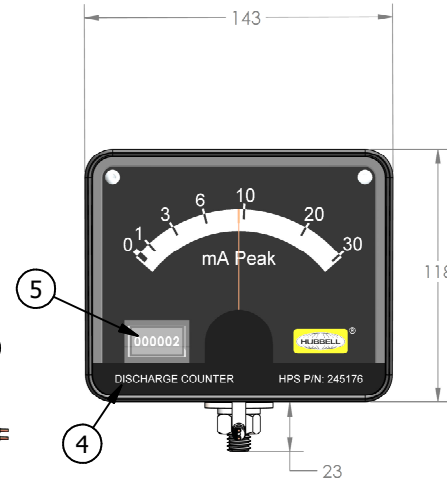
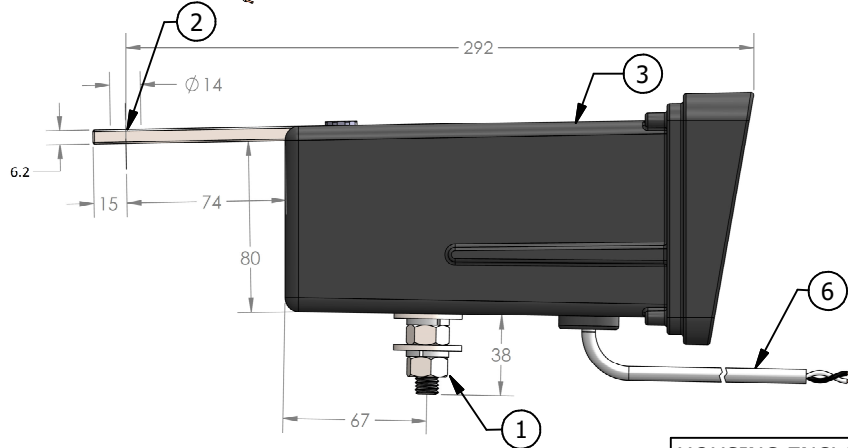
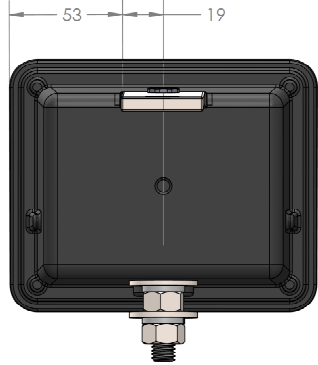
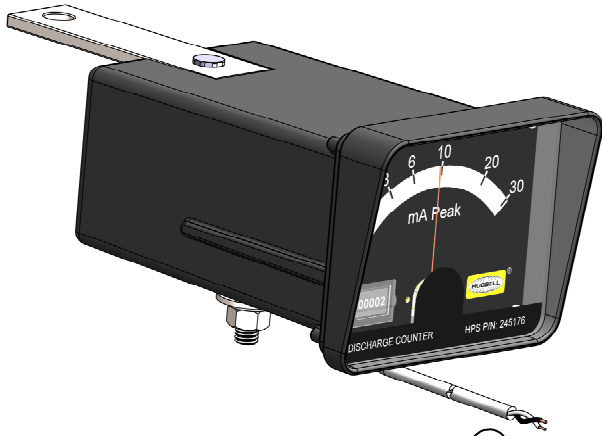


2

1

ITEM	DESCRIPTION	MATERIAL	NOTES
1	EARTH TERMINAL FITTED WASHER, LOCK WASHER & NUT	SS304	7/16" -14
2	LINE TERMINAL WITH 14.3mm MOUNT HOLE	SS304	
3	ENCLOSURE HOUSING, UV RESISTANT	RYNITE	BLACK
4	LENS DISPLAY	POLYCARBONATE	
5	6-DIGIT ELECTRO-MECHANICAL CYCLOMETER		
6	TWO CONDUCTOR CABLE, 18 AWG, 600V RATED		



**NOTES:**

1. ALL DIMENSIONS ARE IN mm.
2. ALL DIMENSIONS ARE WITH 3% TOLERANCE UNLESS OTHERWISE NOTED.
3. TWO CONDUCTOR CABLE 300 MM LENGTH (REF) FROM AUXILIARY CONTACTS RATED 10A 250VAC/24VDC MAX. CONNECT TO REMOTE COUNTER.

HOUSING ENCLOSURE	IP67 (AS PER IEC60529)
TEMPERATURE RANGE	-50°C TO +60°C
MINIMUM COUNT CURRENT	200 Amp (8/20 μs)
MAXIMUM HIGH CURRENT WITHSTAND	100 kA (4/10 μs)
NOMINAL RESIDUAL VOLTAGE AT 100kA	5 kV PEAK
COUNT RATE	UP TO 10 PER SECOND
LEAKAGE CURRENT METER SCALE ON 245171	0 TO 30 mA PEAK



**HUBBELL POWER SYSTEMS, Inc.**

TITLE  
**SURGE COUNTER 0-30mA,  
COUNTER, METER & RELAY**

SIZE <b>A</b>	DWG NO. -	CAT / PART / ASSY NO. <b>245176</b>	REV <b>0</b>
------------------	--------------	--	-----------------

DO NOT SCALE THIS DRAWING | DRN BY RVK | DATE 08/29/2019 | SHEET 1 OF 1

CONTENTS ARE CONFIDENTIAL AND THE EXCLUSIVE PROPERTY OF HUBBELL POWER SYSTEMS. NO PUBLICATION, DISTRIBUTION OR COPIES MAY BE MADE WITHOUT THE WRITTEN CONSENT OF HUBBELL POWER SYSTEMS. HUBBELL POWER SYSTEMS UNPUBLISHED ALL RIGHTS RESERVED UNDER THE COPYRIGHT LAWS.

REV DATE 08/29/2019

2

1