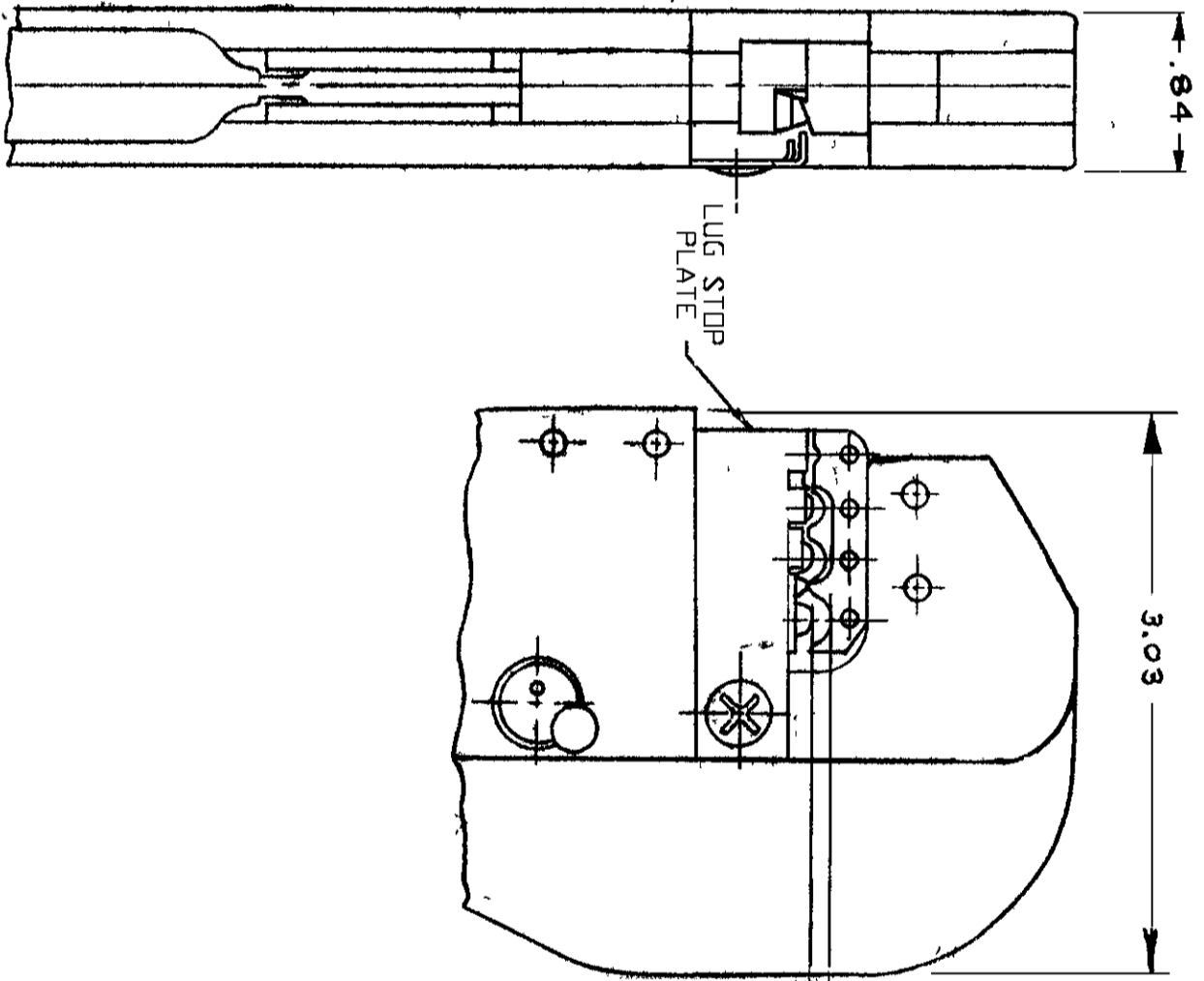
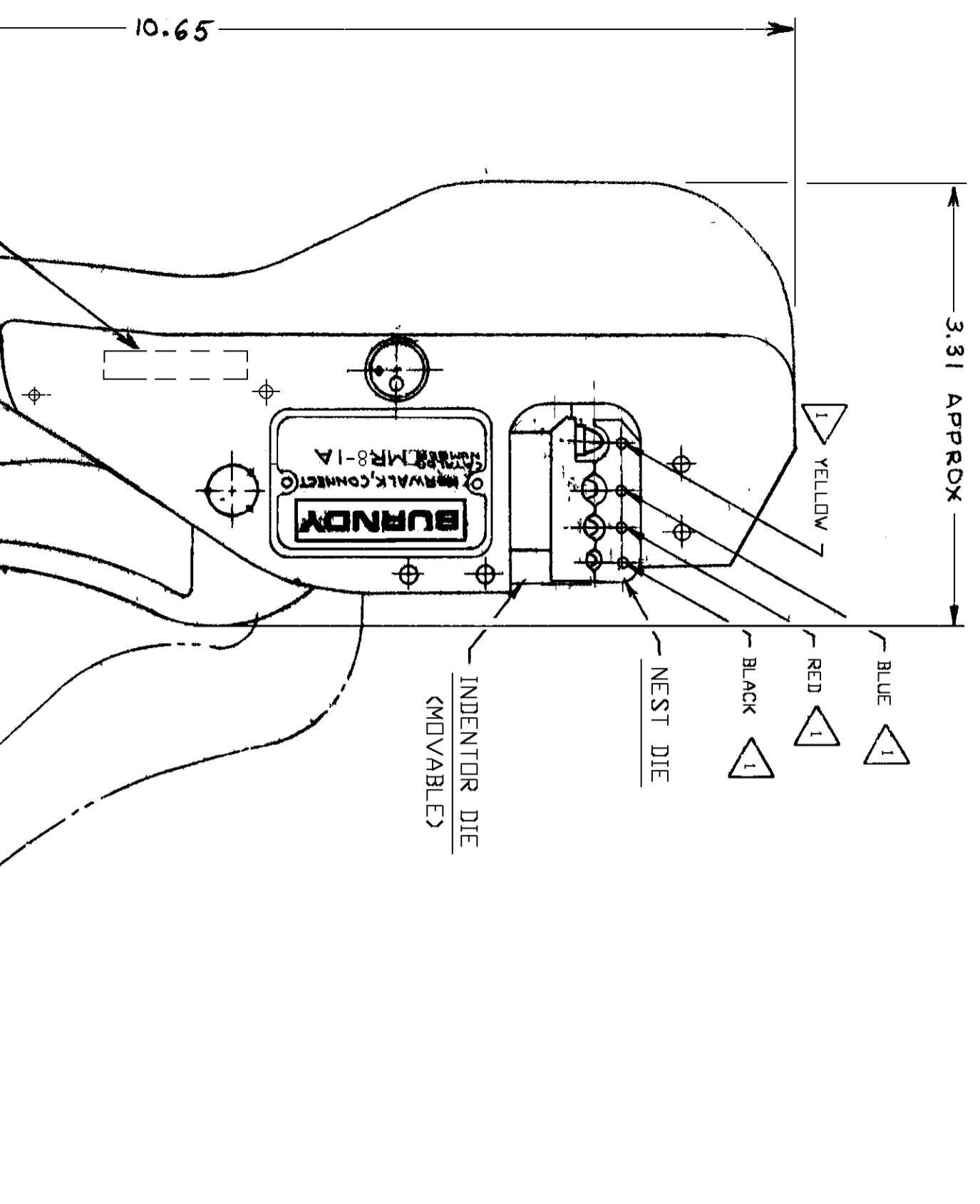


REV.	DATE	REVISION DESCRIPTION	BY	CR'D.
6	5-16-68	REDRAWN W/O CHANGE (D040811)	RT	JJS
7	12-19-82	UPDATE TO SHOW NEW CAST B. SEE REV. REF. PRINT. PER ECR 535.	TK	TK



ACCOMMODATES

"G" DIM	GAUGE SIZE		GROOVES COLOR CODING	INSLUG
	GD	NO GD		
.092/.108	.0926 + .0010 - .0000	.1080 + .0000 - .0005	YELLOW	#10 INSULUG FOR # 12 (Ø96 DIA) TO #10 (Ø132 DIA) COPPER AIRCRAFT CABLE
.064/.078	.0646 + .0008 - .0000	.0780 + .0000 - .0004	BLUE	#14 INSULUG FOR #16 (Ø61 DIA) TO #14 (Ø76 DIA) COPPER AIRCRAFT CABLE
.057/.073	.0576 + .0010 - .0000	.0730 + .0000 - .0005	RED	#18 INSULUG FOR #12 (Ø32 DIA) TO #16 (Ø61 DIA) COPPER AIRCRAFT CABLE
.042/.058	.0426 + .0010 - .0000	.0580 + .0000 - .0005	BLACK	#22 INSULUG FOR # 26 (Ø22 DIA) TO #22 (Ø32 DIA) COPPER AIRCRAFT CABLE

MATERIAL:  
CAST ALUMINUM BODY, OTHER PARTS ALLOY STEEL

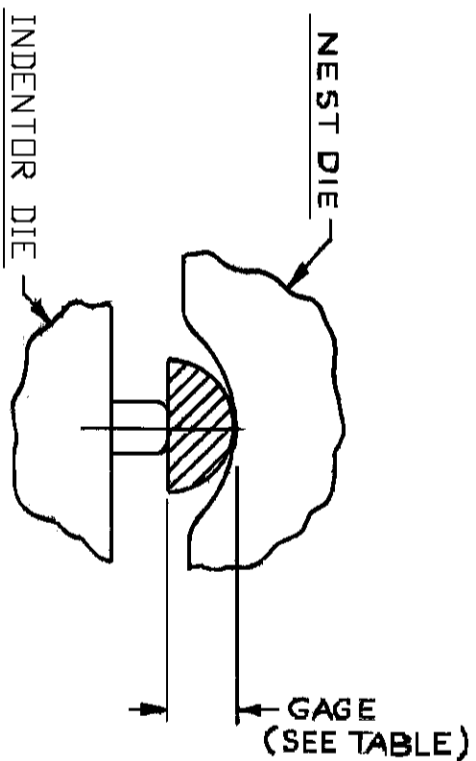
WEIGHT:  
1 LB. 6 OZ. APPROX.

NOTES:  
1 GROOVE COLOR CODING

SD24582

VIEW SHOWING HYTOOL WITH HANDLES FULLY OPENED

NOTE:  
THE INTERNAL RATCHET MECHANISM PERMITS HYTOOL TO BE OPENED ONLY AFTER INDENTATION IS COMPLETED.



HYTOOL

FSCM No 09922

REFERENCE:  
FD24581 MRS-1A HYTOOL ASSY

CAT. NO. MR8-1A  
DRAWN 5-16-68  
CHECKED JJS 6-4-68  
DES. APPROV. FGM 7-11-68  
PROD. APPROV. FGM 7-11-68  
DRAWING NO. SD24582  
REV. 7

**BURNDY**  
CORPORATION  
NORWALK, CONNECTICUT