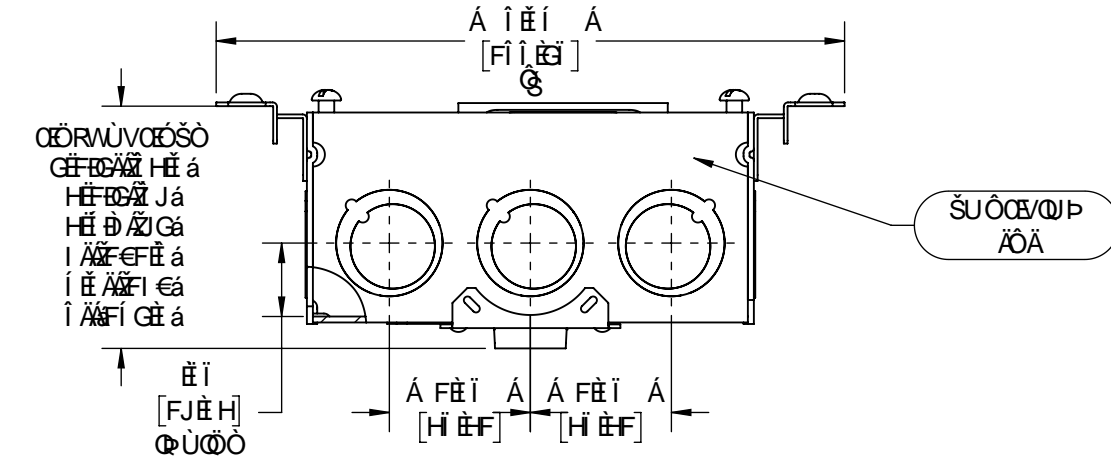
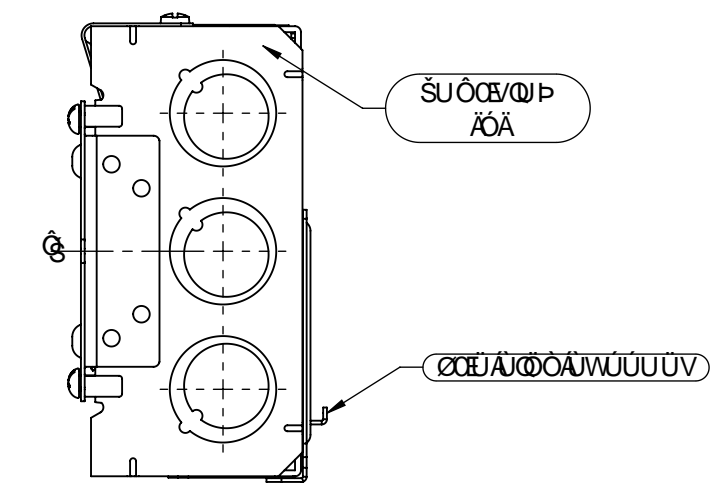
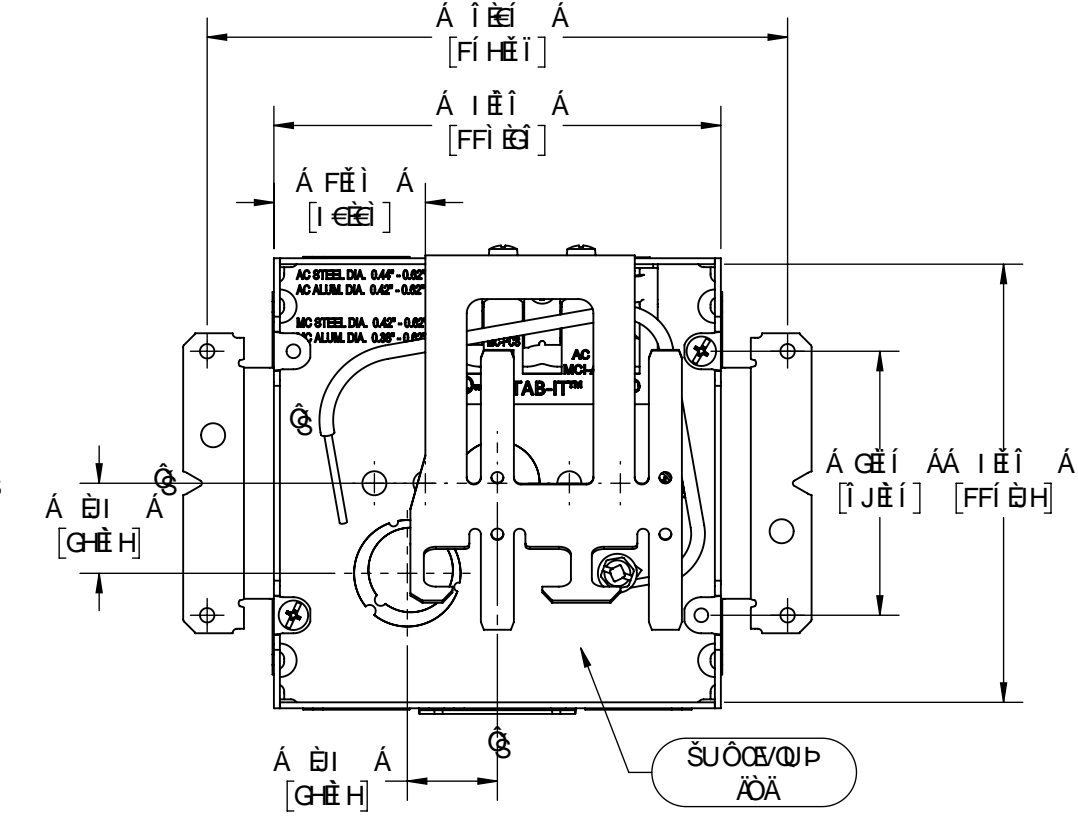
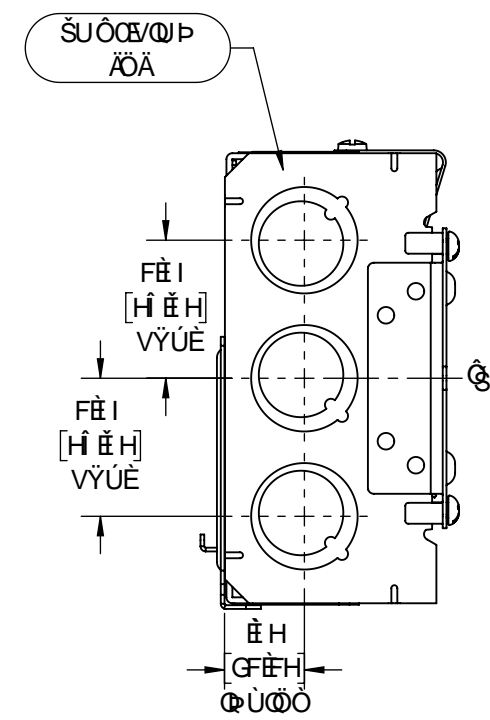
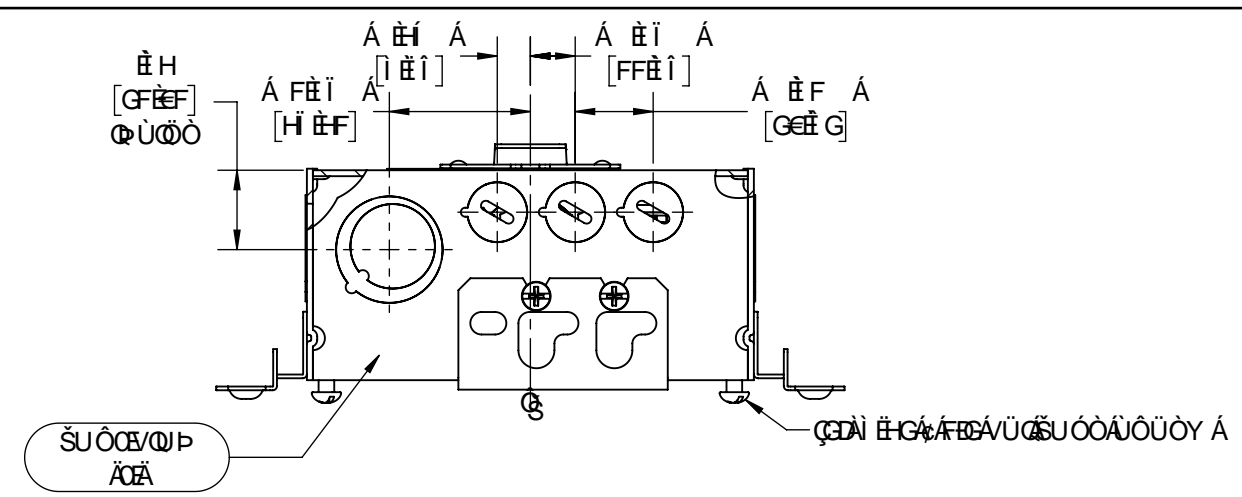




F9J-G-CBG			
F9J"	85H9	89G7F-DHCB	6M
È	€ €€ ÈJ	ØVØSÁÚÓSØØÙ	ÖŠ

ØSØPÙÈK  
 G GT ÙØT ÅWÙ



ØØRÁÚVØØØØ  
 GÈFØÁÈ ÈÈ á  
 ÈÈ ØÁ J á  
 ÈÈ ØÁ G á  
 I ÁÈ ÈÈ á  
 I È ÁÈ È á  
 I ÁÈ ÈÈ á

H: 989G; B: 5B8'8A 9BGØBGC; H: 9'  
 DFC 81 7 HG<CK B'CB'H<G8F5K B; 5F9'  
 G: 6>97 HHC 7 <5B; 9K #C I HBCH7 9

(!%#% "GE "L'&!%# "8 D"K #GH56 !H'  
 => / '756 @'A5B5; 9A9BH'6F57?9H

?BC7?CI HG		
HF589'G-N9	@C75HCB	EHM'
ØFØÈD ÅV/SU	ØØØØÈ	H
ØFØÈD ÅV/SU	ØØ	F
FØÅV/SU	Ø	F

HC ØF5B7 91 B ØGG C HK 9FK Ø9 GD97 ÷ 98	<b>RACO</b>		8F5K B'6M	ÖŠ	G7 5 Ø.	GA9.
"LL'897 A 5@+ "\$% "LLL'897 A 5@+ "\$% 5B; @ ±&°	5DD"6M	PÈÈÈ	85H9.	€ €€ ÈJ	FIG	6

PUVØUK  
 FÈ ØSSØG ØPÙØPÙÅÈÙØØ ØP ØPØÙÅØ ØÅT ØSSØ ÒVØÙÅá  
 GÈ ØUYÅXUSWT ØÅ GÈØ ÅÈÈ ØØT á  
 ÈÈ &MS' ÅØVØØ  
 I È ØÙÙØ ØÙÙØVØP ÅP ØØVÅÙØÙÙŠŠÅUY P ÅVÅ  
 ÅÅÙPØØVÅÈ ÅÁ

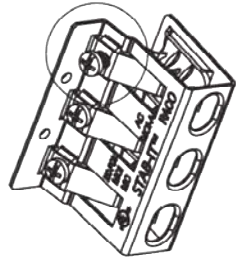
8A 9BØC B'G 9H: C'7 5H'BC"

8) 8A G7 A

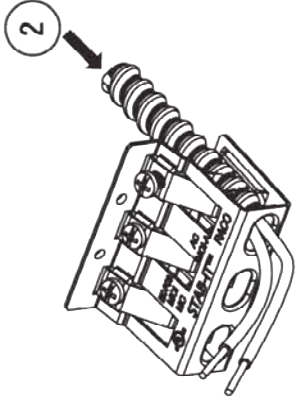
6

## Alternate instructions for installing larger diameter cables in RACO® STAB-IT® II boxes (if needed)

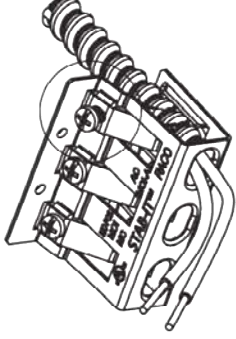
1. Loosen up screw



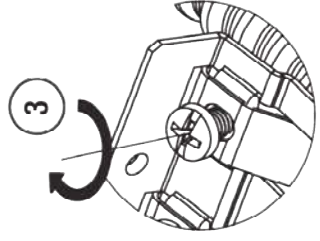
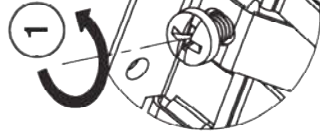
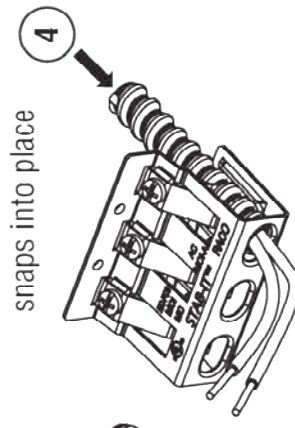
2. Push in cable



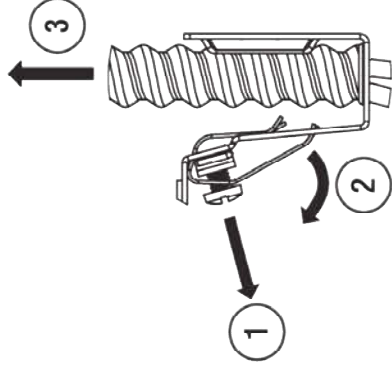
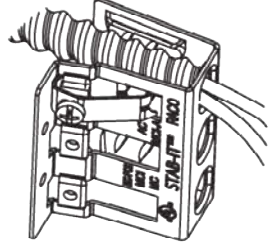
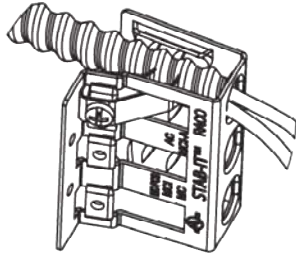
3. Tighten up screw



4. Push in cable until it  
snaps into place



## Instructions for removing cables from RACO® STAB-IT® II boxes



1. Loosen screw

2. Pull the spring clip away from cable as shown

3. Pull cable out



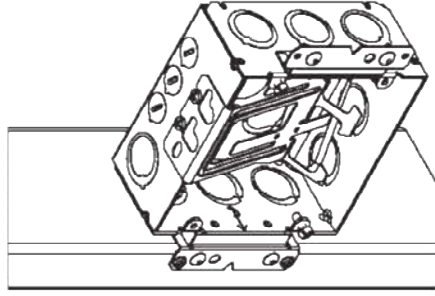
Hubbell Commercial Construction  
Hubbell Incorporated (Delaware)

RACO INC.  
3902 W. Sample St. P.O. Box 4002 South Bend, IN 46634  
Phone: (574) 234-7151 FAX (574) 283-4244

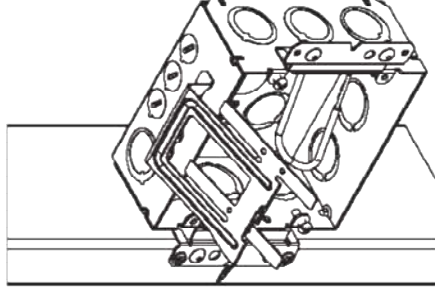
MADE IN CHINA  
RA-Instr 348 rev2  
400704

# Instructions for using RACO® cable support bracket with STAB-IT® II boxes

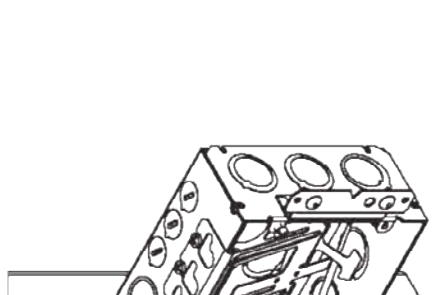
**STEP 1.** Install box to stud



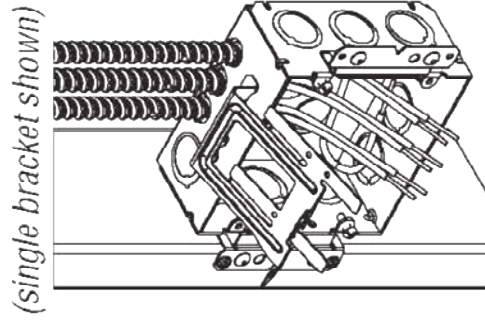
**STEP 2.** Pre-bend cable support bracket as shown



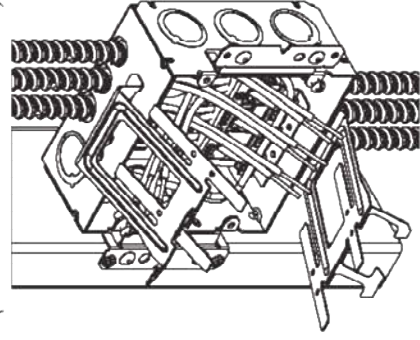
**STEP 3.** Remove pry-out(s) and install cable(s)



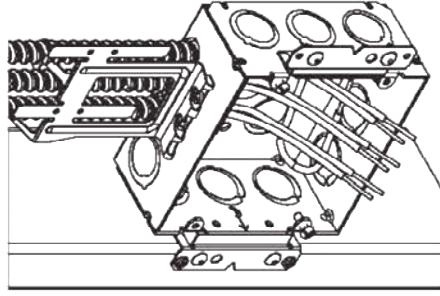
**STEP 4.** Position cable support bracket as shown



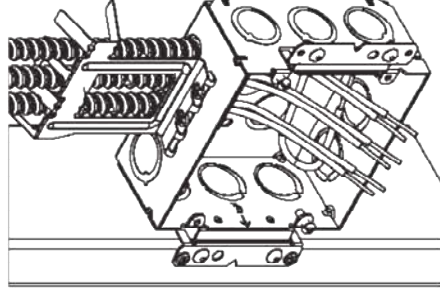
**STEP 5.** Bend down center tabs to lock cables as shown



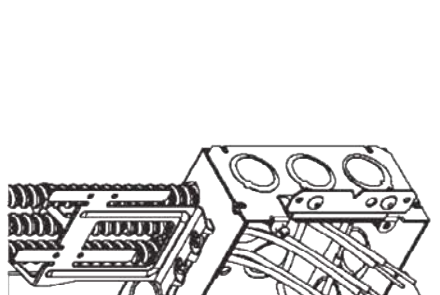
**STEP 1.** Install box to stud



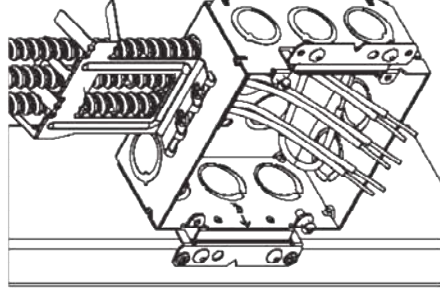
**STEP 2.** Pre-bend cable support bracket as shown



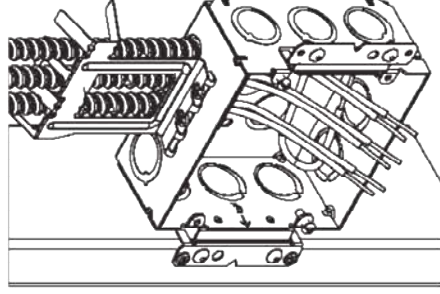
**STEP 3.** Remove pry-out(s) and install cable(s)



**STEP 4.** Position cable support bracket as shown



**STEP 5.** Bend down center tabs to lock cables as shown



Hubbell Commercial Construction  
Hubbell Incorporated (Delaware)

RACO INC.

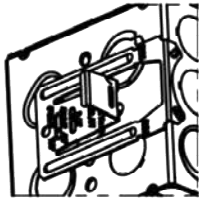
28902 W. Sample St. P.O. Box 4002 South Bend, IN 46634  
Phone: (574) 234-7151 FAX (574) 283-4244

MADE IN CHINA

RA-Inst 347  
119082 rev 1

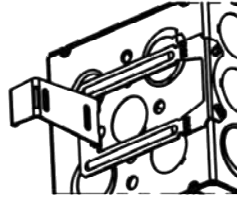
# Instructions for using the RACO® Universal Box Stabilizer

## 1-1/2" Deep Boxes



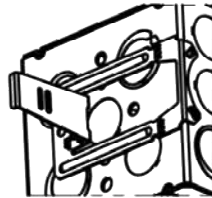
Bend center tab as shown

For 2-1/2" deep studs



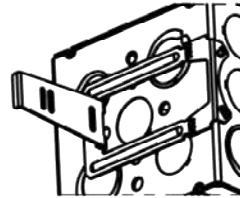
Bend center tab as shown - 2 places

For 3-1/2" deep studs



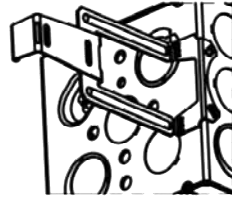
Bend center tab as shown

For 3-5/8" deep studs



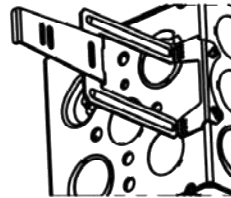
Bend center tab as shown

For 4" deep studs



Bend both tabs as shown

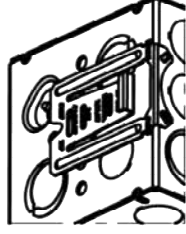
For 5-1/2" deep studs



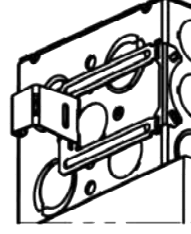
Bend both tabs as shown

For 6" deep studs

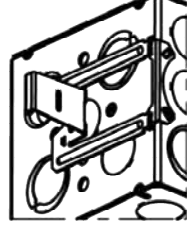
## 2-1/8" Deep Boxes



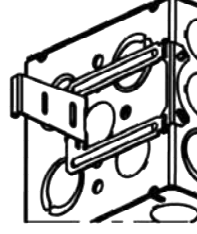
Comes preset



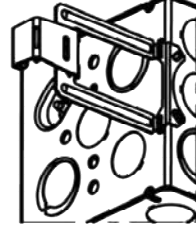
Bend center tab as shown - 2 places



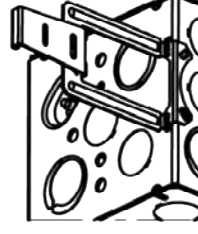
Bend center tab as shown



Bend center tab as shown



Bend both tabs as shown



Bend both tabs as shown

**NOTICE: Bottom knockouts are NOT usable with the FS support.**