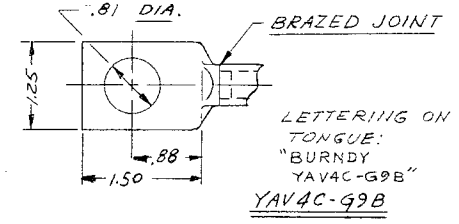
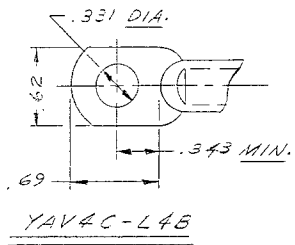
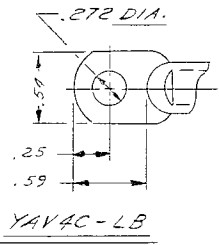


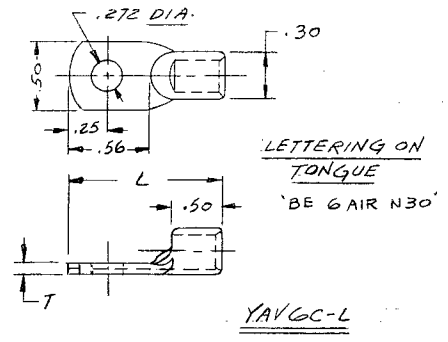
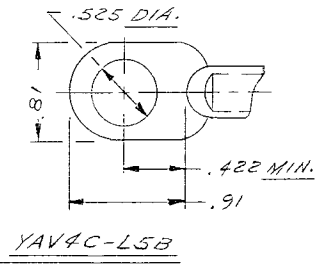
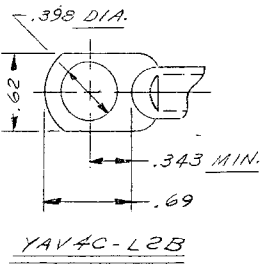
COPPER CONDUCTOR	CATALOG NO.	STUD SIZE	L	T	REFERENCE	REV.	INSTALLATION DATA		
							NEST	Y29NC HYPRESS	Y29B HYPRESS INDENTOR
3/24 (.220) 125/24 (.260)	YAV4C-L3B	#10	1.25	.09	FA11193	4	DVAL	Y29PL	Y29PL
	YAV4C-LB	1/4	1.25	.09	FA11193	4			
	YAV4C-L4B	5/16	1.34	.08	FA10140	4			
	YAV4C-L2B	3/8	1.34	.08	FA10140	4			
	YAV4C-L5B	1/2	1.64	.06	FA1095A	4			
#4 SOL SOFTDRAW	YAV6C-L	1/4	1.22	.06	FA11192	1	DV6L		Y29PQ



MATERIAL:
COPPER TUBE

FINISH:
TIN PLATED

REFERENCE:
SC32980 (E.M.D.)



REV.	DATE	REVISION DESCRIPTION	BY	C'K'D
4	4-22-55	TOOLING REVISED - RRP (EC.10961)	H.F.G.	SPS
3	10-20-54	DIM. REV., ADDITIONS MADE RRP (DO 13513)	MSR	MR
2	10-6-54	'FA 31844' ADDED, DIM'S REV., RRP (DO 13513)	MSR	MR
1	6-11-53	YAV4C-G9B & YAV6C-L ADDED (DO 12228)	P.D.	SPS

HYLUGS (BELLED)

CAT. NO. YAV--L-B (TABLE) SCALE

DRAWN 1-20-53 P.D. CHECKED SPS 2-2-53

BURNDY

DRAWING NO. REV. 4

SC27872

APPROVED 2/2/53