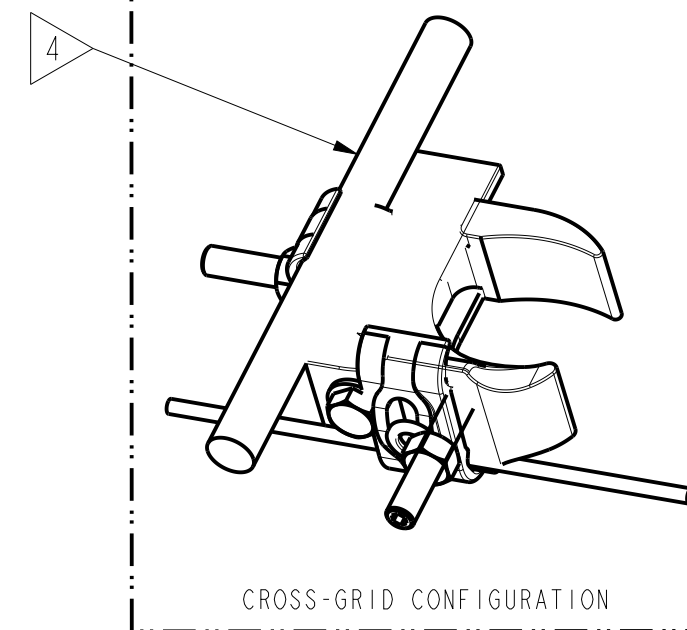
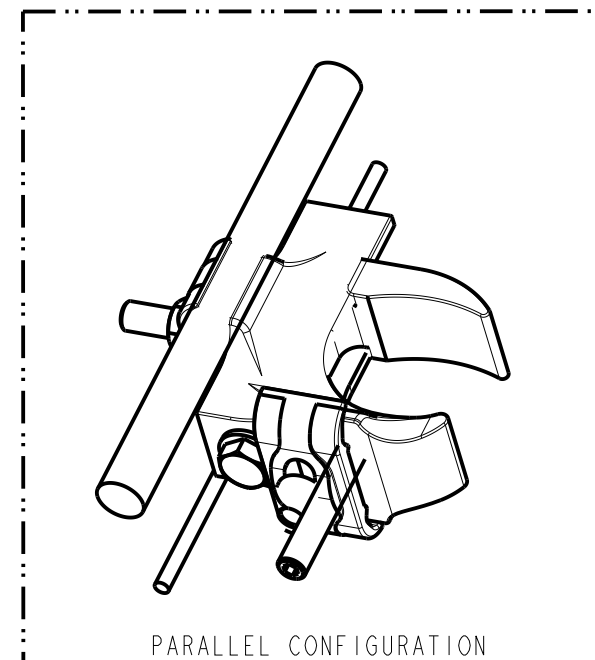
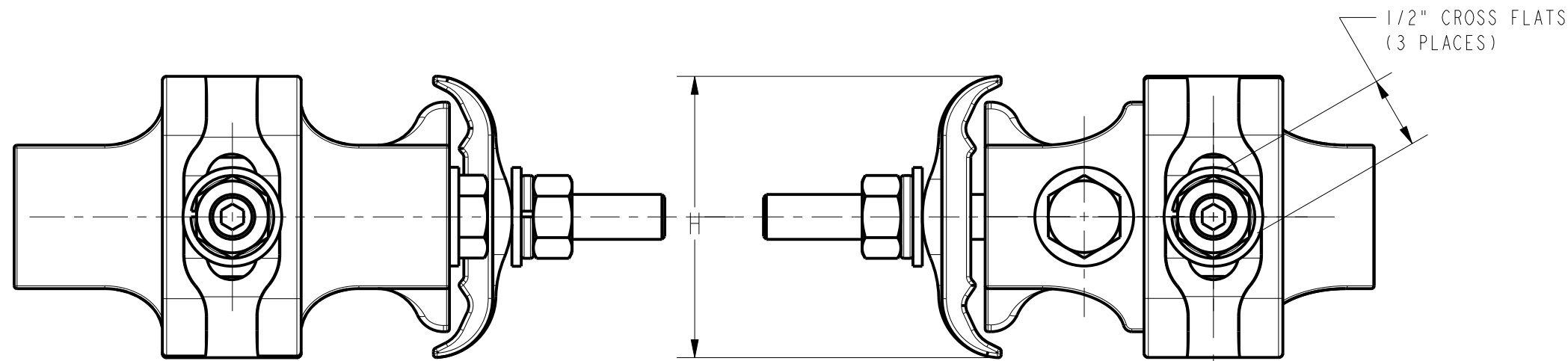
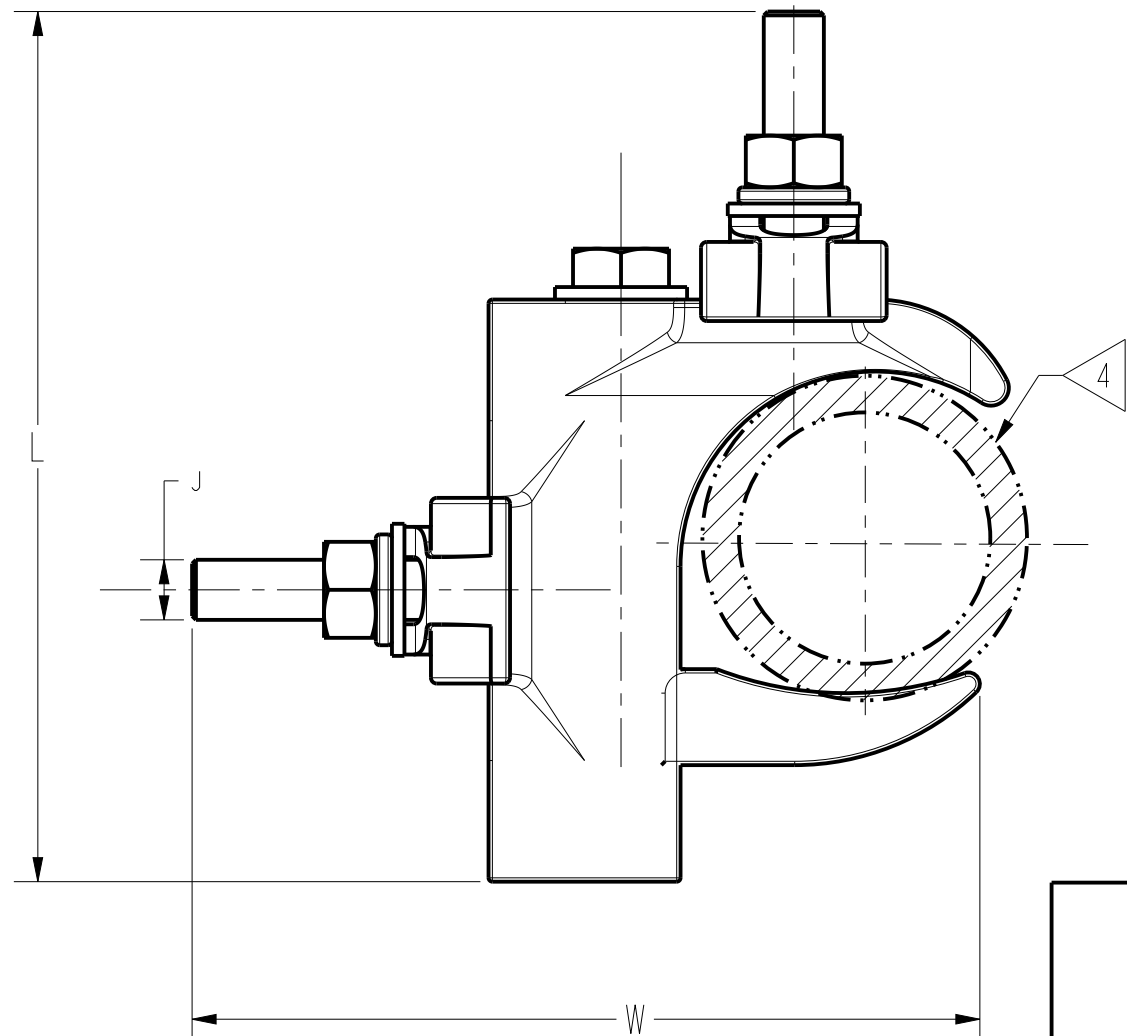


CATALOG NO.	CONDUCTOR RANGE <span style="float:right">4</span>		PEDESTAL RANGE <span style="float:right">4</span>	REBAR RANGE	REFERENCE DIMENSIONS				RECOMMENDED TORQUE <span style="float:right">5</span>	
	PARALLEL	CROSS-GRID			L	W	H	J	CONDUCTOR SADDLE (NUT)	PEDESTAL CLAMP (BOLT)
GXP1828RF	#6 SOL-4/0 STR	#6 SOL-4/0 STR	3/4" - 1.5" SQ 7/8" - 2.0" RND	#7 - #14	4.53 [115]	3.94 [100]	1.96 [50]	5/16 [8]	120 in-lbs	180 in-lbs



6 INSTALLED VIEW



NOTES:

- MATERIAL: CLAMP BODY: CAST COPPER ALLOY  
HARDWARE: STAINLESS STEEL
- DIMENSIONS IN BRACKETS [ ] ARE IN MILLIMETERS ROUNDED TO THE NEAREST MILLIMETER, AND ARE FOR REFERENCE ONLY.
- UL LISTED TO UL467 GROUNDING AND BONDING EQUIPMENT FOR US AND CANADA.
- SEE TABLE FOR MIN AND MAX ACCOMMODATED PEDESTAL SIZES AND WIRE SIZES.
- TORQUE VALUES VARY DEPENDING ON HARDWARE COMPONENT. SEE TABLE FOR SPECIFIC VALUES.
- WIRES CAN BE INSTALLED IN EITHER A PARALLEL OR PERPENDICULAR ARRANGEMENT, AS SHOWN IN INSTALLED VIEW.
- PRODUCT IS SUITABLE FOR DIRECT BURIAL APPLICATIONS
- ADD SUFFIX "TN" FOR TIN PLATED FINISH ON CLAMP BODY.

TO ORDER BURNDY® PRODUCTS CALL  
 UNITED STATES:  
 1-800-346-4175 (LONDONDERRY, NH)  
 CANADA:  
 1-800-361-6975 (QUEBEC)  
 1-800-387-6487 (ALL OTHER PROVINCES)  
 FOR PRODUCT INFO: <http://www.burndy.com>

RAISED FLOOR GROUND CONNECTOR			
ITEM NO: 10113073			
CAT. NO: GXP1828RF			
DRAWN BY:	P. WASON	3/25/10	<b>BURNDY</b>
CHECKER:	P. WASON	3/25/10	
DSN APPVL:	P. WASON	3/25/10	
MFG APPVL:	--	--	
QA APPVL:	--	--	
MKT APPVL:	--	--	
PROD FAM:	042	SCALE: 1:1	DRAWING NO
PROJECT #:	EPI3781	SIZE	3000039
DOCUMENT TYPE:	Sales	B	SHEET 1 OF 1
REV LEVEL:	Released		E

REV.	DATE	DESCRIPTION	ECO	BY	C/H/K.
E	10/06/2014 00:00:00 AM	UPDATED AS PER MARKUP	37953	CS	MB

REV: PE0200