

REV	DATE	DESCRIPTION	ECO	BY	C.H.K.
B	2018-06-25 01:00:00 EDT	NA12 & NA122 VIEW IDENTIFICATION HAVE INCLUDED	49355	MK	NJS

CATALOG NUMBER	IPS A	FIG.	NO OF HOLES IN PAD	DIMENSIONS ²											
				B	C	D	E & F	G	H	J (BOLT DIA)	DIA K	L	N	T	W
NA12	3/8	1A	1	1.38 [38]	1.50 [38]	--	--	.69 [18]	1.50 [38]	.38 [10]	.44 [11]	3.75 [95]	.75 [19]	.25 [6]	2.13 [54]
NA122		1	2	1.38 [35]	1.38 [35]	1.88 [48]	1.00 [25]					4.13 [105]	.44 [11]		
NA13	1/2	2B	1	2.00 [51]	1.63 [41]	--	--	.78 [20]	1.75 [44]	.38 [10]	.56 [14]	3.88 [99]	.81 [21]	.31 [8]	2.25 [57]
NA132		2A	2	2.00 [51]	1.50 [38]	2.00 [51]	1.38 [35]					.44 [11]	4.25 [108]	.44 [11]	
NA14	3/4	2B	1	2.00 [51]	1.75 [44]	--	--	.90 [23]	2.00 [51]	.38 [10]	.56 [14]	4.00 [102]	.88 [22]	.38 [10]	2.44 [62]
NA142		2A	2	2.00 [51]	1.63 [41]	2.25 [57]	1.38 [35]					.44 [11]	4.50 [114]	.44 [11]	
NA152	1	2A	2	2.00 [51]	1.88 [48]	2.25 [57]	1.38 [35]	.94 [24]	2.06 [52]	.38 [10]	.44 [11]	4.50 [114]	.44 [11]	.38 [10]	2.75 [70]
NA154		2	4	2.00 [51]	2.25 [57]	2.25 [57]	1.38 [35]					.44 [11]	4.50 [114]	.44 [11]	
NA164	1 1/4	2	4	2.69 [68]	2.25 [57]	2.50 [64]	1.63 [41]	1.16 [29]	2.56 [65]	.50 [13]	.44 [11]	5.44 [138]	.44 [11]	.44 [11]	3.50 [89]
NA174	1 1/2	2	4	2.69 [68]	2.63 [67]	2.63 [67]	1.50 [38]	1.31 [33]	2.75 [70]	.50 [13]	.56 [14]	5.44 [138]	.44 [11]	.50 [13]	3.94 [100]
NA182	2	2A	2	2.69 [68]	2.25 [57]	3.50 [89]	2.00 [51]	1.56 [40]	3.13 [80]	.50 [13]	.56 [14]	6.44 [164]	.75 [19]	.50 [13]	4.63 [118]
NA184		2	4	2.69 [68]	3.13 [80]	3.13 [80]	1.50 [38]					6.06 [154]	.69 [18]		
NA192	2 1/2	2A	2	2.69 [68]	3.00 [76]	4.00 [102]	2.38 [60]	1.84 [47]	3.69 [94]	.50 [13]	.56 [14]	6.94 [176]	.69 [18]	.69 [18]	5.25 [133]
NA194		2	4	2.69 [68]	3.75 [95]	3.75 [95]	2.00 [51]					6.69 [170]	.88 [22]		
NA204	3	2	4	3.25 [83]	4.75 [121]	4.38 [111]	2.50 [64]	2.19 [56]	4.38 [111]	.62 [16]	.56 [14]	7.94 [202]	.82 [21]	.69 [18]	6.19 [157]
NA214	3 1/2	2	4	3.25 [83]	4.75 [121]	4.75 [121]	2.75 [70]	2.47 [63]	4.94 [125]	.62 [16]	.56 [14]	8.31 [211]	1.00 [25]	.81 [21]	6.81 [173]
NA224	4	2	4	3.25 [83]	5.25 [133]	5.25 [133]	3.13 [80]	2.75 [70]	5.50 [140]	.62 [16]	.56 [14]	8.81 [224]	1.06 [27]	.81 [21]	7.44 [189]
6 NA244	5	2	4	5.13 [130]	6.50 [165]	6.50 [165]	3.25 [83]	3.34 [85]	6.63 [168]	.62 [16]	.69 [18]	12.00 [305]	1.63 [41]	.81 [21]	8.50 [216]
6 NA864	6	2	4	5.13 [130]	7.63 [194]	7.63 [194]	3.75 [95]	3.94 [100]	7.88 [200]	.62 [16]	.69 [18]	13.13 [334]	1.94 [49]	.94 [24]	9.69 [246]

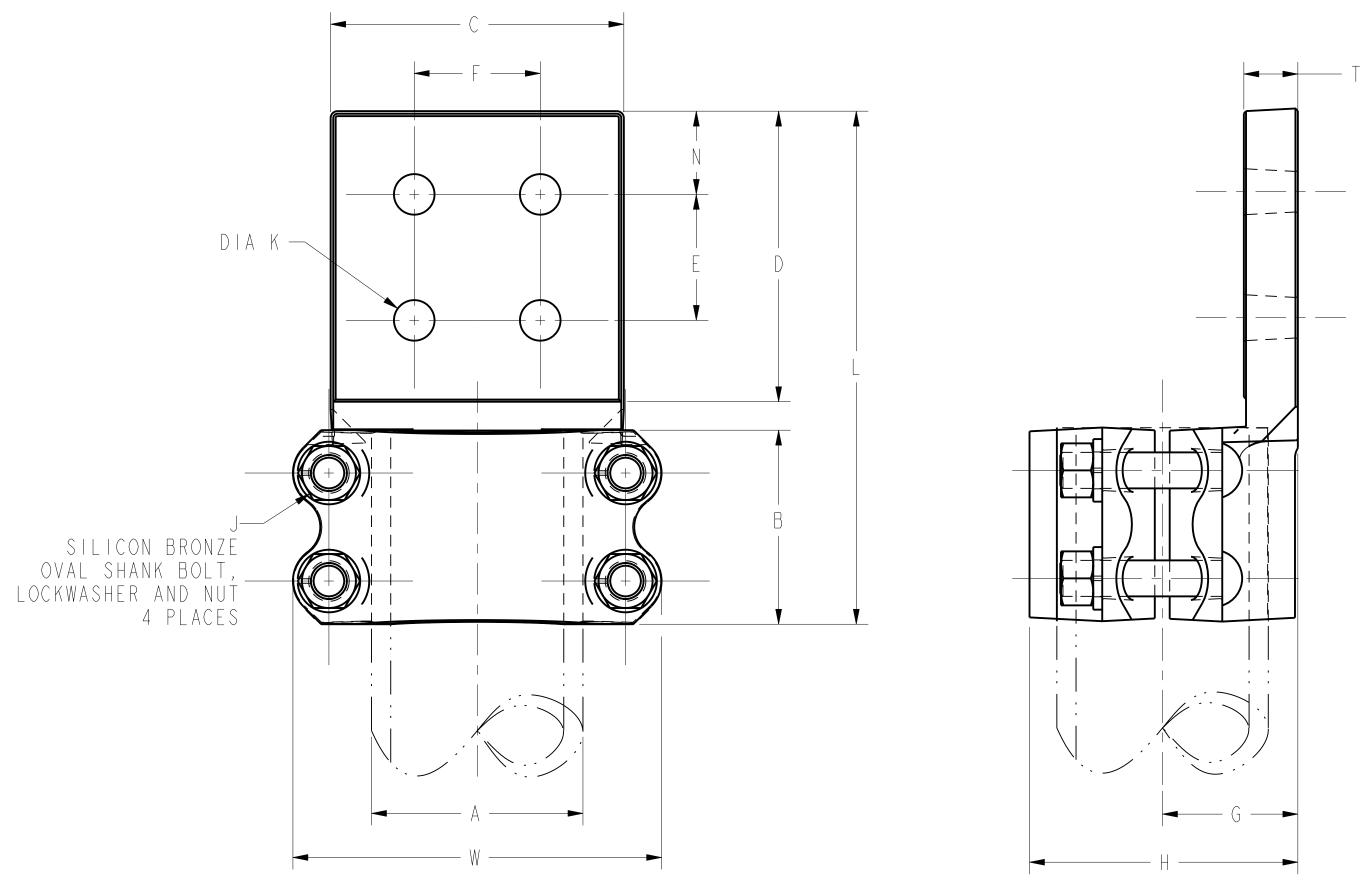


FIG. 2

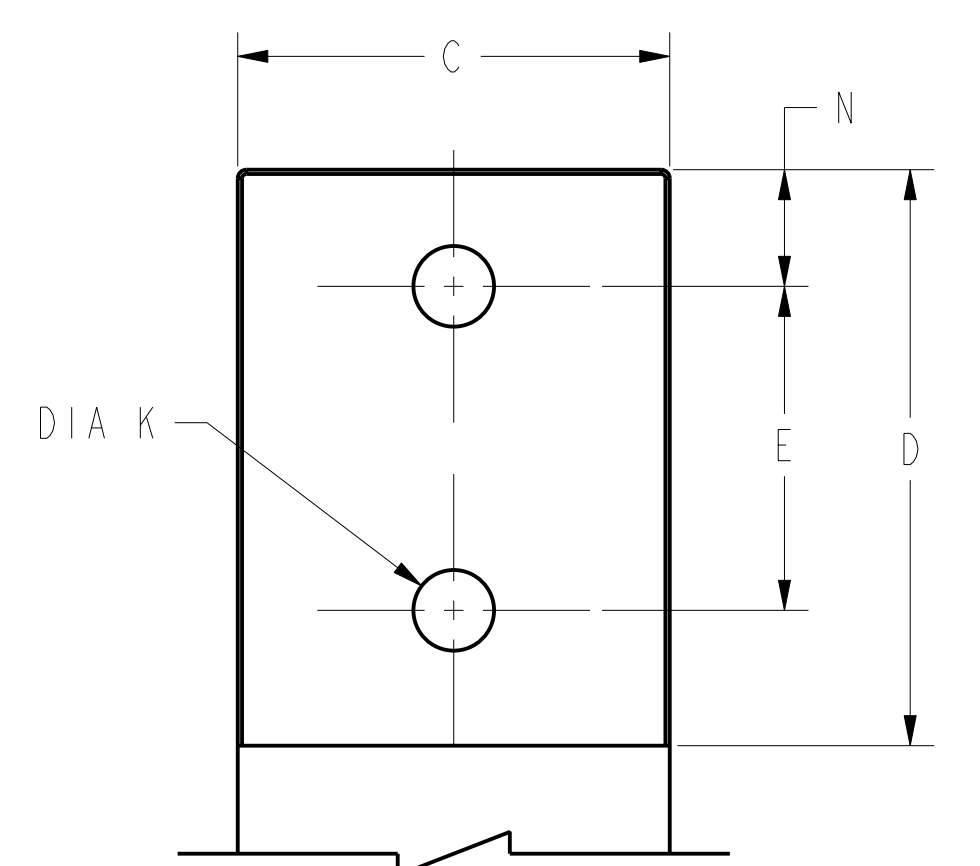


FIG. 2A

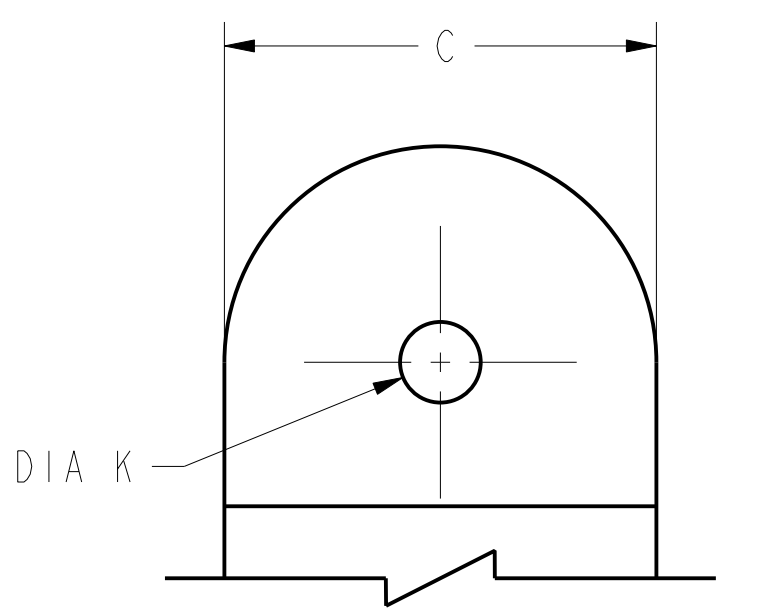


FIG. 2B

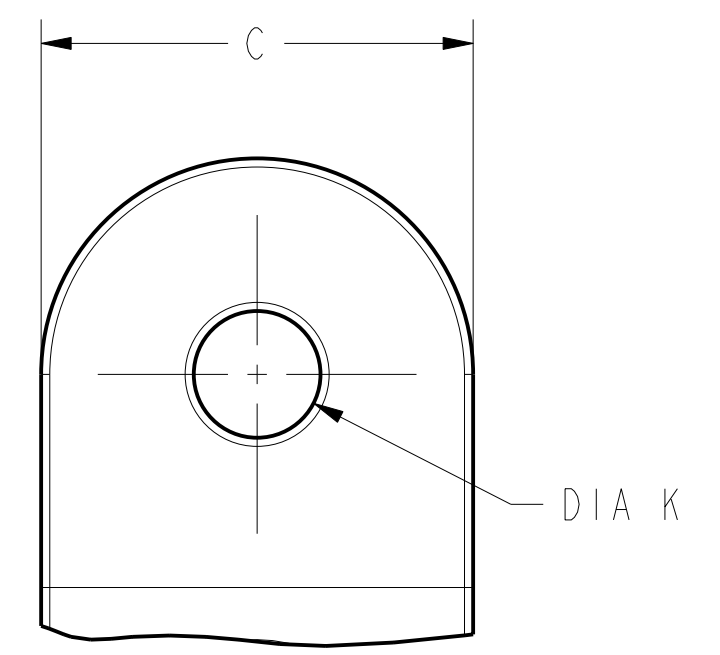


FIG. 1A

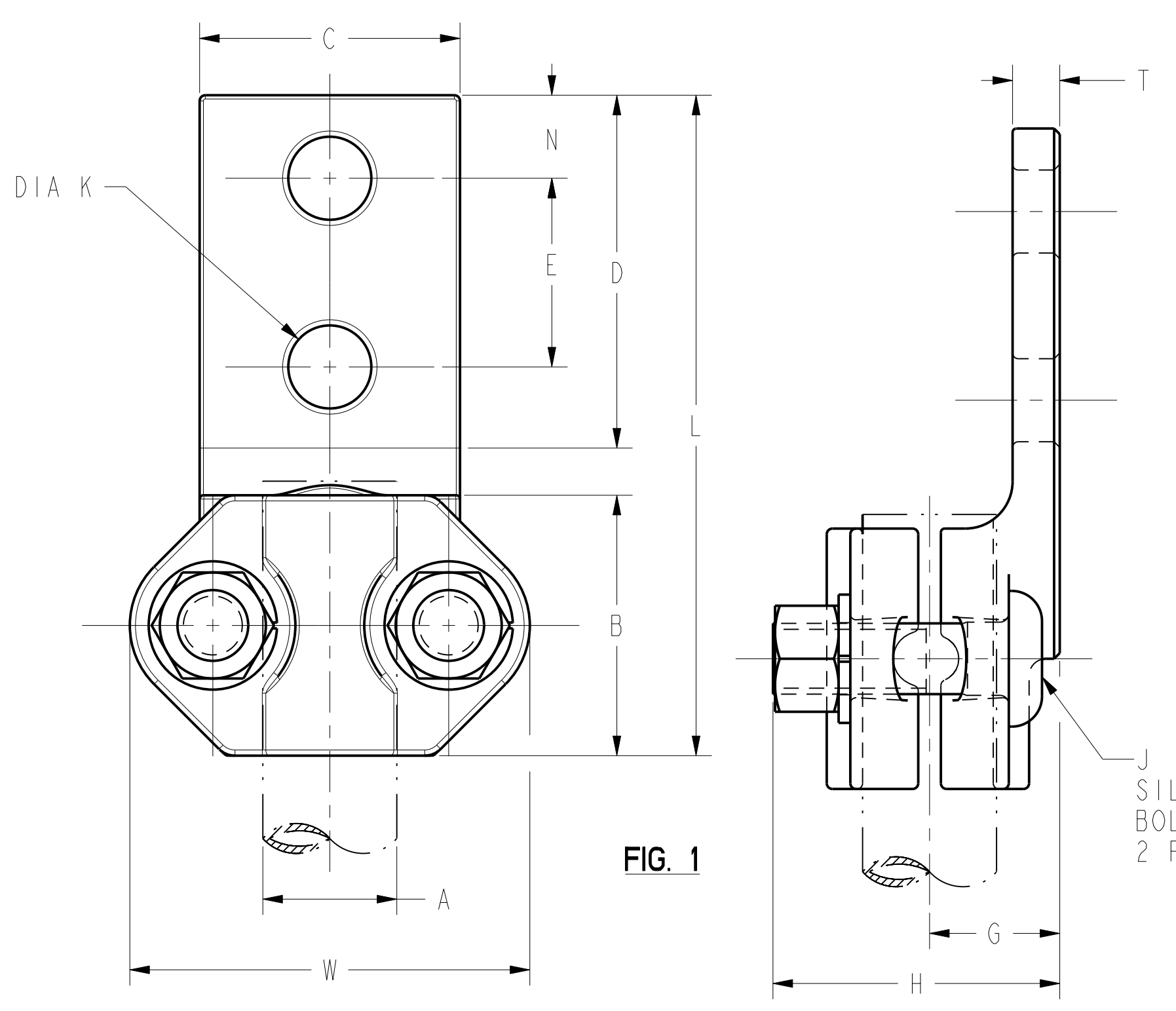


FIG. 1

- NOTES:
- MATERIAL :
BODY AND CAP : CAST COPPER ALLOY
 - DIMENSIONS IN BRACKETS [] DENOTES METRIC UNITS [SI UNITS] AND ARE ROUNDED TO THE NEAREST WHOLE NUMBER. UNLESS OTHERWISE SPECIFIED THESE UNITS SHALL BE USED FOR REFERENCE ONLY.
 - FOR ALUMINUM CONDUCTORS, ADD "W" TO CATALOG NUMBER.
 - FINISH:
BRIGHT DIPPED FOR COPPER CONDUCTORS.
 - ALL CATALOG NUMBERS LISTED BY C.S.A.
 - EQUIPPED WITH 6 HEX. HEAD BOLTS.

TO ORDER BURNDY® PRODUCTS CALL		TERMINALS	
UNITED STATES 1-800-346-4175 (LONDONDERRY, NH)		ITEM NO: SEE TABLE	CAT. NO: NA-- (SEE TABLE)
CANADA: 1-800-361-6975 (QUEBEC) 1-800-387-6487 (ALL OTHER PROVINCES)		DRAWN BY: M KATHIR 08/06/18	CHECKER: R LAVOIE 09/13/18
FOR PRODUCT INFO: http://www.burndy.com		DSN APPVL: R LAVOIE 09/13/18	MFG APPVL: T WAWRZYNIAK --
		GA APPVL: B POST 09/13/18	MKT APPVL: R LOVELESS 10/22/18
		PROD FAM: SUBSTATION	DRAWING NO: 30000612
		PROJECT #: --	SIZE: D
		DOCUMENT TYPE: Sales	SHEET 1 OF 1
		REL LEVEL: Released	REV: B

REV: PEO200