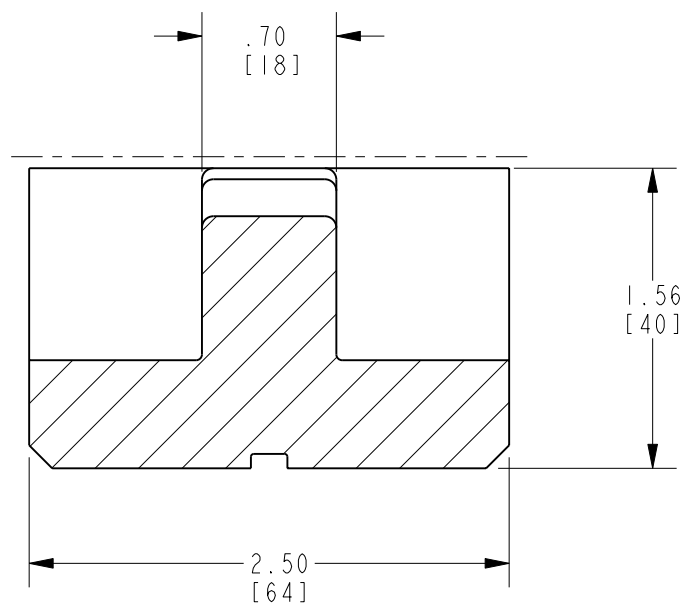
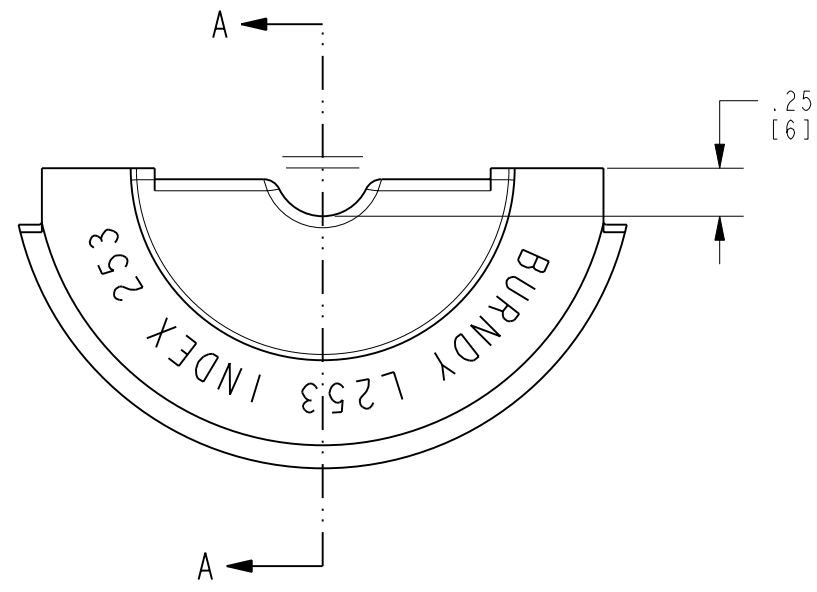
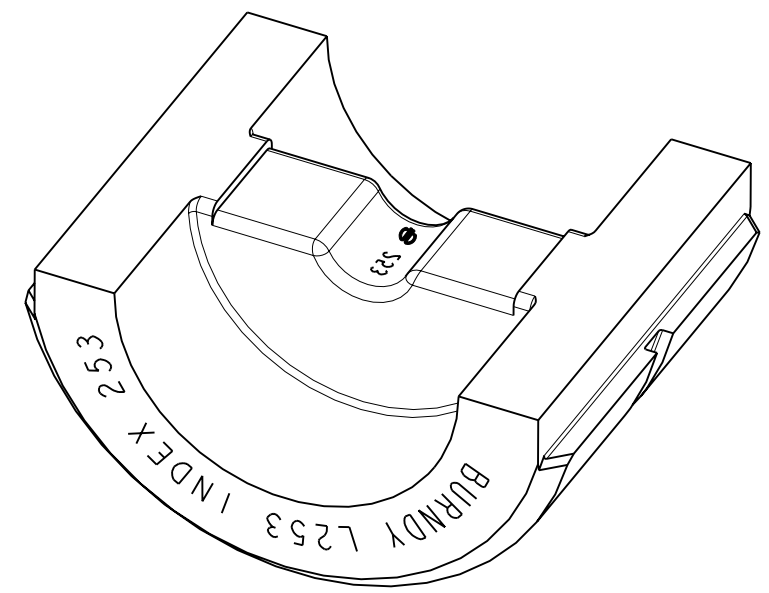
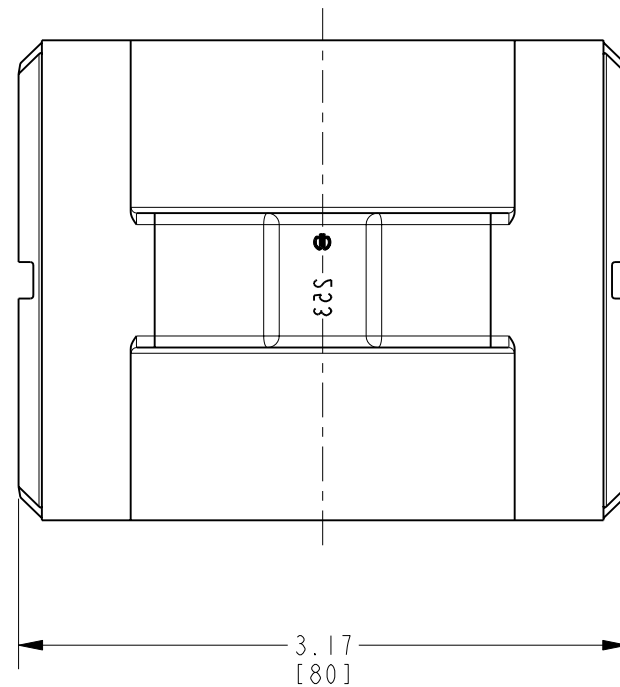


REV.	DATE	DESCRIPTION	ECO	BY	C'H'K.
A	4/16/2010 11:00:00 AM	CREATE SALES DRAWING	20768	RM	JG



SECTION A-A

NOTES:

1. DIMENSIONS IN [] BRACKETS ARE IN MILLIMETERS, ROUNDED OFF TO THE NEAREST MILLIMETER, UNLESS OTHERWISE NOTED. METRIC DIMENSIONS ARE FOR REFERENCE ONLY.
2. MATERIAL : STAINLESS STEEL.
3. USED ON Y60 HYPRESS™.

TO ORDER BURNDY® PRODUCTS CALL
 UNITED STATES:
 1-800-346-4175 (LONDONDERRY, NH)
 CANADA:
 1-800-361-6975 (QUEBEC)
 1-800-387-6487 (ALL OTHER PROVINCES)
 FOR PRODUCT INFO: <http://www.burndy.com>

CIRCULAR TWIN DIE			
ITEM NO: N/A			
CAT. NO: L253			
DRAWN BY: R. MURUGESAN 04/16/2010			
CHECKER:	--	BURNDY	
DSN APPVL:	--		
MFG APPVL:	--		
QA APPVL:	--		
MKT APPVL:	--		
PROD FAM:	TOOLS_HYDRAULIC/L_DIES	DRAWING NO	REV
PROJECT #:	--	30000850	A
DOCUMENT TYPE:	Sales	SHEET 1 OF 1	
REL LEVEL:	Released	SIZE	B
		SCALE:	1:1

REV: PE0200