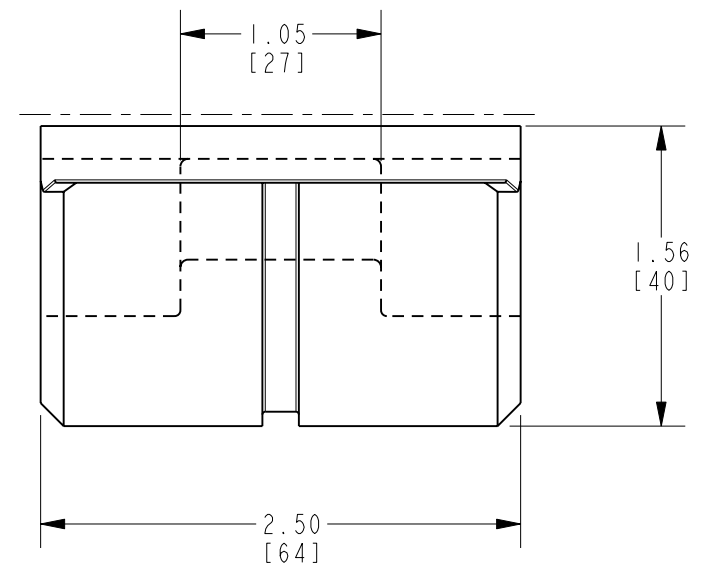
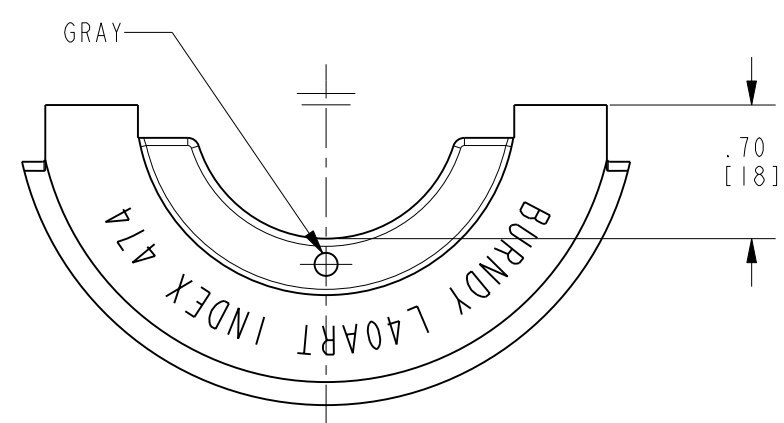
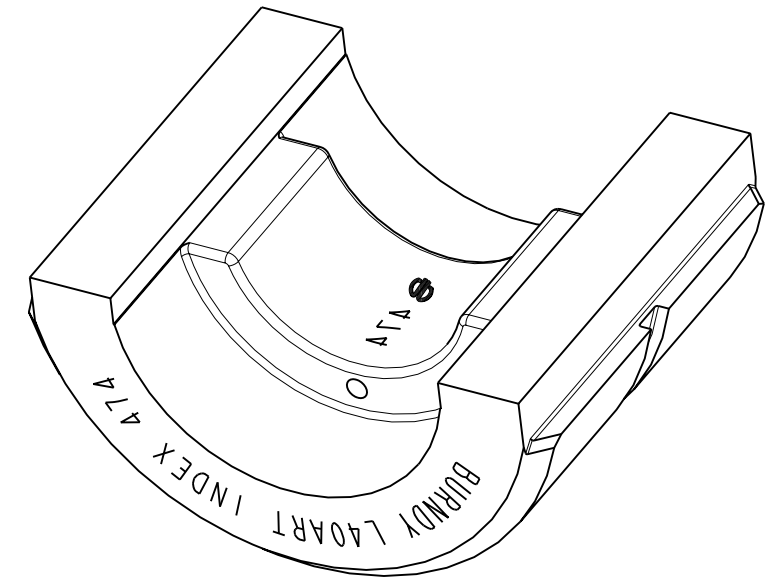
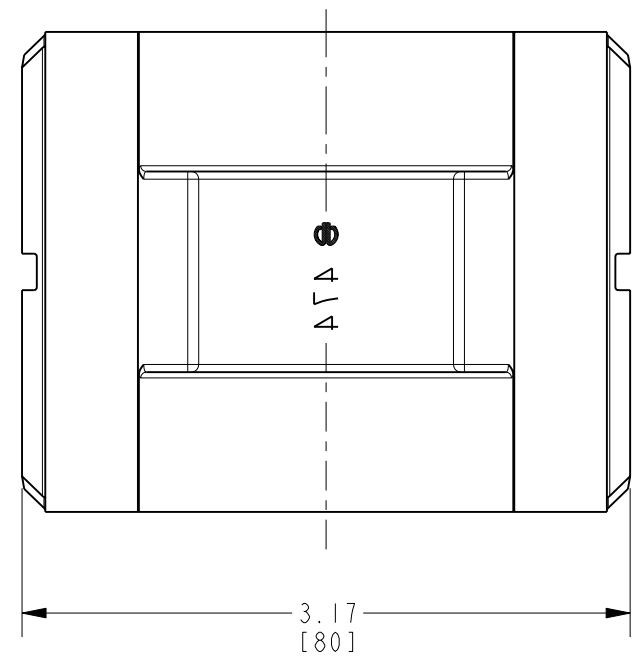


REV.	DATE	DESCRIPTION	ECO	BY	C'H'K.
A	4/29/2010 12:00:00 PM	CREATE SALES DRAWING	20865	RM	JG



NOTES:

1. DIMENSIONS IN [] BRACKETS ARE IN MILLIMETERS, ROUNDED OFF TO THE NEAREST MILLIMETER, UNLESS OTHERWISE NOTED. METRIC DIMENSIONS ARE FOR REFERENCE ONLY.
2. MATERIAL : STAINLESS STEEL.
3. USED ON Y60 HYPRESS™.

TO ORDER BURNDY® PRODUCTS CALL
 UNITED STATES:
 1-800-346-4175 (LONDONDERRY, NH)
 CANADA:
 1-800-361-6975 (QUEBEC)
 1-800-387-6487 (ALL OTHER PROVINCES)
 FOR PRODUCT INFO: <http://www.burndy.com>

CIRCULAR TWIN DIE			
ITEM NO:	N/A		
CAT. NO:	L4OART		
DRAWN BY:	R. MURUGESAN	4/28/2010	
CHECKER:	--	--	
DSN APPVL:	--	--	
MFG APPVL:	--	--	
QA APPVL:	--	--	
MKT APPVL:	--	--	
PROD FAM:	TOOLS-HYDRAULIC/L-DIES	DRAWING NO	REV
PROJECT #:	--	30000855	A
DOCUMENT TYPE:	Sales	SIZE	B
REL LEVEL:	Released	SHEET	1 OF 1



REV: PE0200