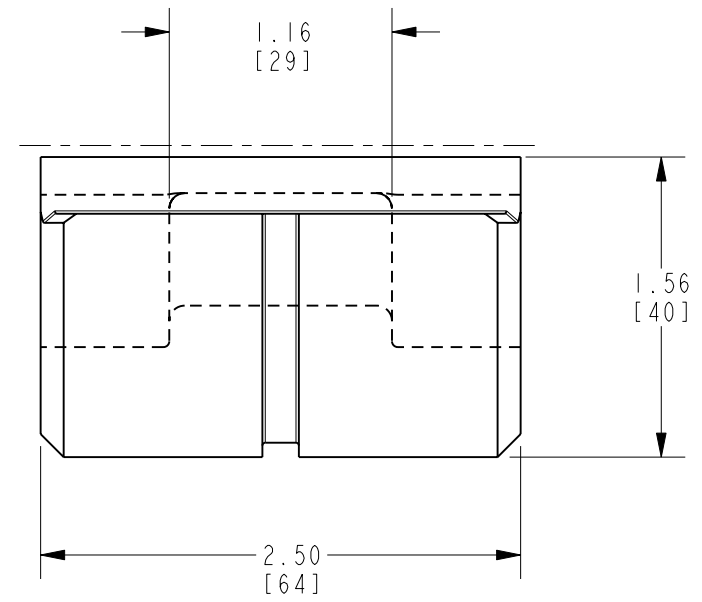
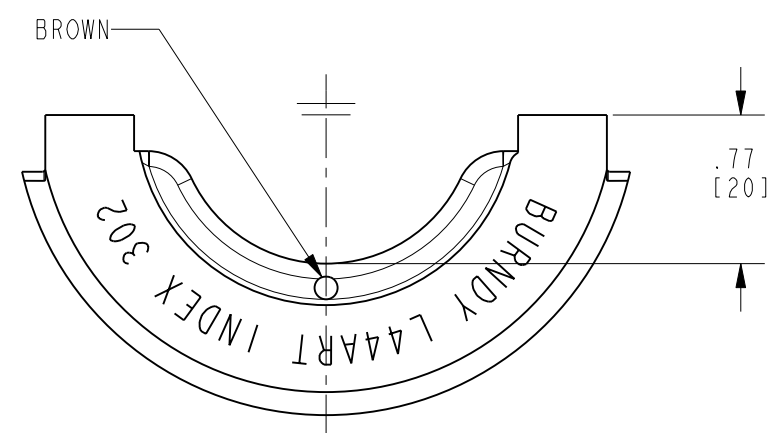
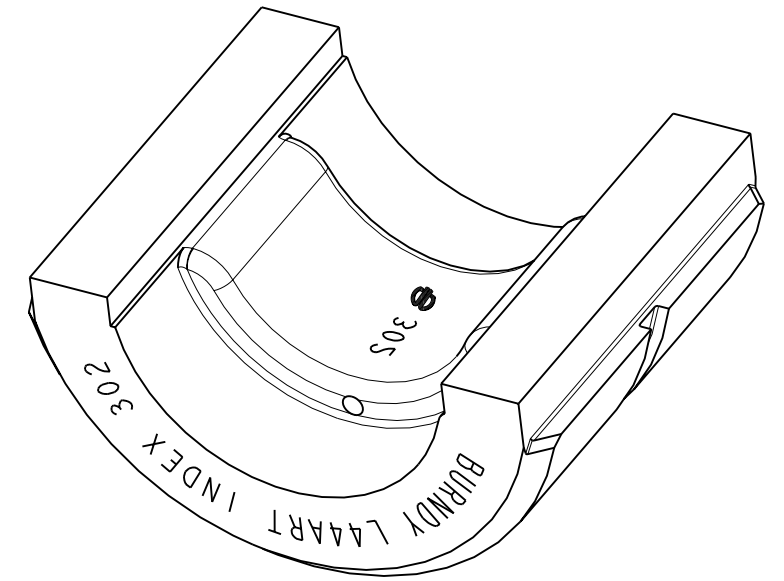
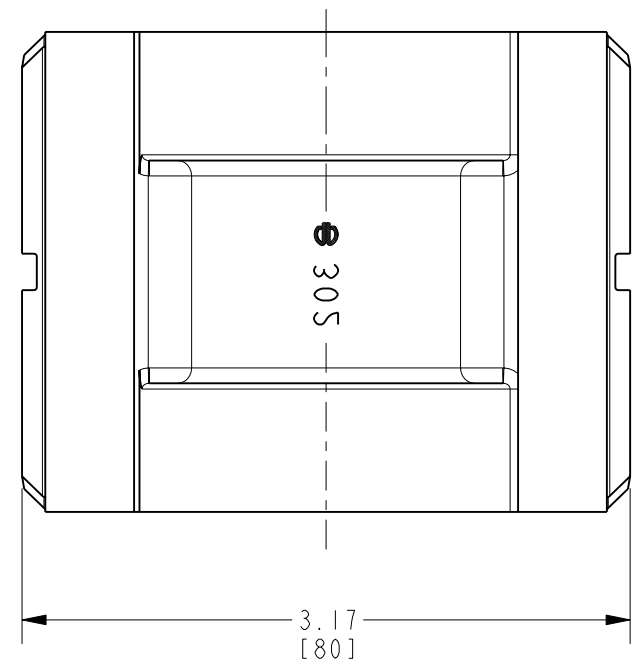


| REV. | DATE                  | DESCRIPTION          | ECO   | BY | C'H'K. |
|------|-----------------------|----------------------|-------|----|--------|
| A    | 4/29/2010 12:00:00 PM | CREATE SALES DRAWING | 20865 | RM | JG     |



NOTES:

1. DIMENSIONS IN [ ] BRACKETS ARE IN MILLIMETERS, ROUNDED OFF TO THE NEAREST MILLIMETER, UNLESS OTHERWISE NOTED. METRIC DIMENSIONS ARE FOR REFERENCE ONLY.
2. MATERIAL : STAINLESS STEEL.
3. USED ON Y60 HYPRESS™.

TO ORDER BURNDY® PRODUCTS CALL  
 UNITED STATES:  
 1-800-346-4175 (LONDONDERRY, NH)  
 CANADA:  
 1-800-361-6975 (QUEBEC)  
 1-800-387-6487 (ALL OTHER PROVINCES)  
 FOR PRODUCT INFO: <http://www.burndy.com>

| CIRCULAR TWIN DIE |                        | SCALE: 1:1   |
|-------------------|------------------------|--------------|
| ITEM NO:          | N/A                    | DRAWING NO   |
| CAT. NO:          | L44ART                 |              |
| DRAWN BY:         | R. MURUGESAN 4/28/2010 | 30000856     |
| CHECKER:          | --                     |              |
| DSN APPVL:        | --                     | SHEET 1 OF 1 |
| MFG APPVL:        | --                     |              |
| QA APPVL:         | --                     | Released     |
| MKT APPVL:        | --                     |              |
| PROD FAM:         | TOOLS-HYDRAULIC/L-DIES |              |
| PROJECT #:        | --                     |              |
| DOCUMENT TYPE:    | Sales                  |              |
| REL LEVEL:        | Released               |              |

REV: PE0200