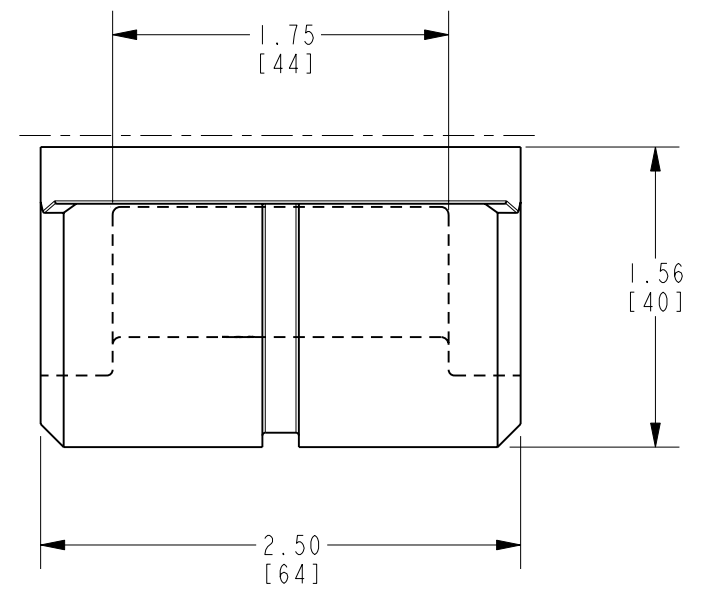
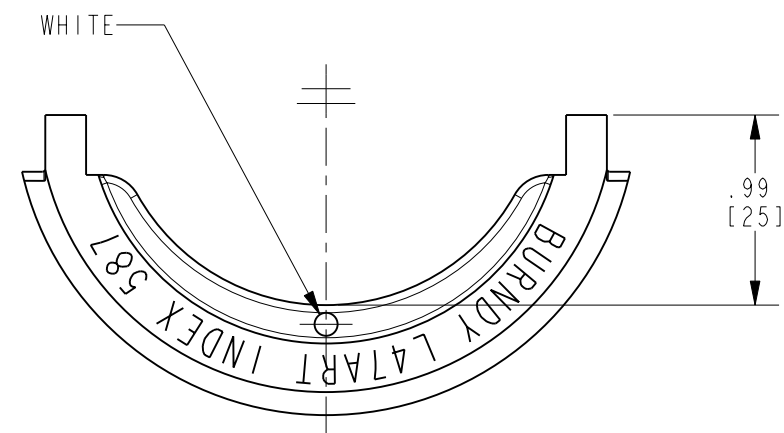
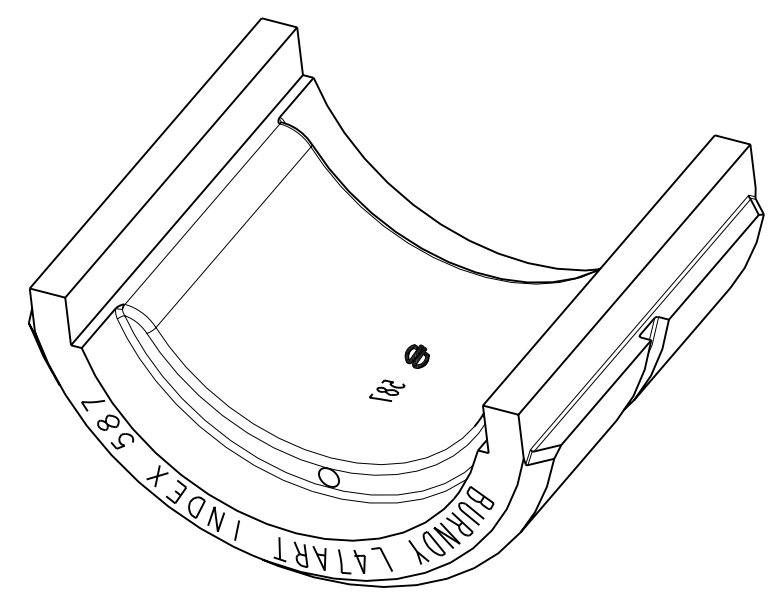
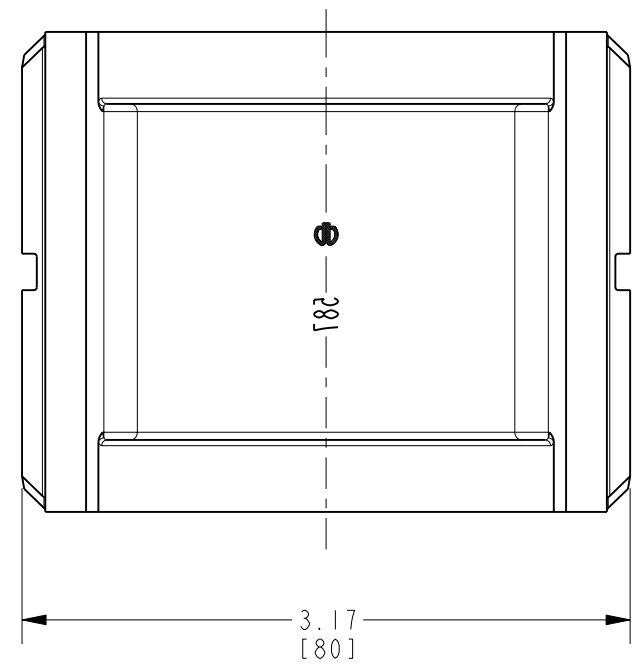


REV.	DATE	DESCRIPTION	ECO	BY	C'H'K.
A	4/29/2010 12:00:00 PM	CREATE SALES DRAWING	20865	RM	JG



NOTES:

1. DIMENSIONS IN [ ] BRACKETS ARE IN MILLIMETERS, ROUNDED OFF TO THE NEAREST MILLIMETER, UNLESS OTHERWISE NOTED. METRIC DIMENSIONS ARE FOR REFERENCE ONLY.
2. MATERIAL : STAINLESS STEEL.
3. USED ON Y60 HYPRESS™.

TO ORDER BURNDY® PRODUCTS CALL  
 UNITED STATES:  
 1-800-346-4175 (LONDONDERRY, NH)  
 CANADA:  
 1-800-361-6975 (QUEBEC)  
 1-800-387-6487 (ALL OTHER PROVINCES)  
 FOR PRODUCT INFO: <http://www.burndy.com>

CIRCULAR TWIN DIE			
ITEM NO: N/A			
CAT. NO: L47ART			
DRAWN BY:	R. MURUGESAN	4/28/2010	
CHECKER:	--	--	
DSN APPVL:	--	--	
MFG APPVL:	--	--	
QA APPVL:	--	--	
MKT APPVL:	--	--	
PROD FAM:	TOOLS_HYDRAULIC/L_DIES	DRAWING NO	REV
PROJECT #:	--	30000858	A
DOCUMENT TYPE:	Sales	SIZE	B
REL LEVEL:	Released	SHEET 1 OF 1	

REV: PE0200