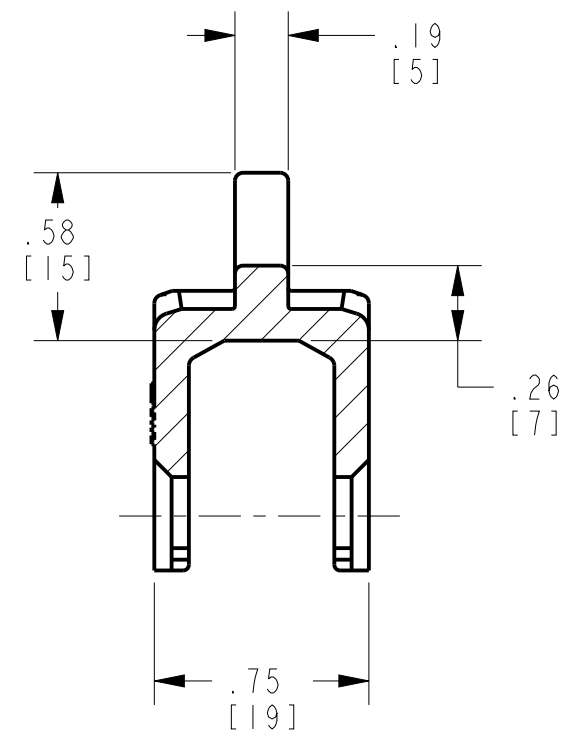
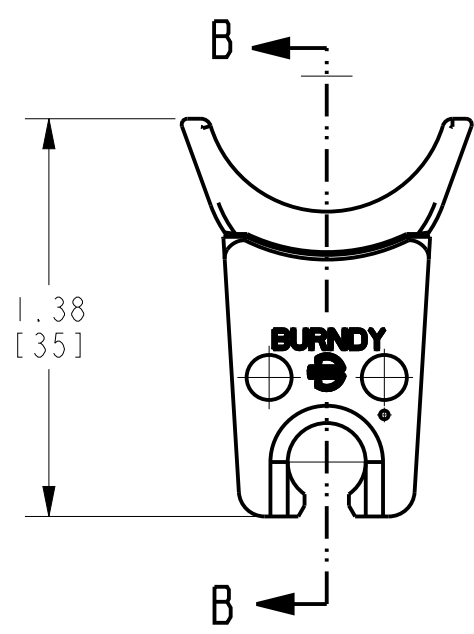
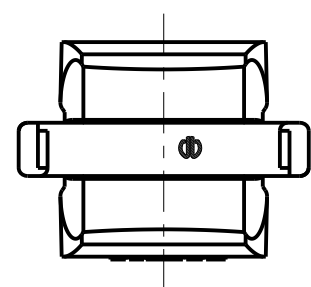
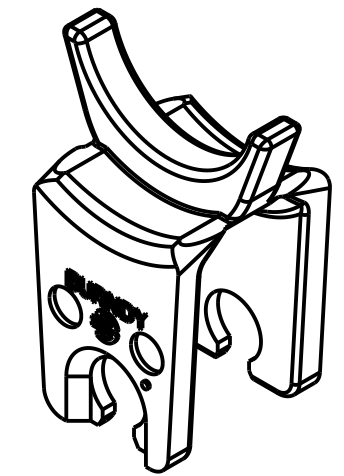
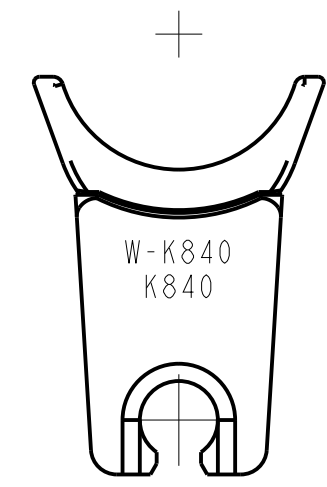


REV.	DATE	DESCRIPTION	ECO	BY	C'H'K.
B	01/28/2014 00:00:00 AM	ADD NOTE 4 TO DRAWING PER M/U.	34286	RB	LB



SECTION B-B



NOTES:

1. THIS DRAWING TO BE INTERPRETED PER ASME Y14.5M - 1994.
2. DIMENSIONS IN [] BRACKETS ARE IN MILLIMETERS, ROUNDED OFF TO THE NEAREST MILLIMETER, UNLESS OTHERWISE NOTED. METRIC DIMENSIONS ARE FOR REFERENCE ONLY.
3. MATERIAL: STAINLESS STEEL.
4. DIE GAGE CAT. NO. WPGK840.

TO ORDER BURNDY® PRODUCTS CALL
 UNITED STATES:
 1-800-346-4175 (LONDONDERRY, NH)
 CANADA:
 1-800-361-6975 (QUEBEC)
 1-800-387-6487 (ALL OTHER PROVINCES)
 FOR PRODUCT INFO: <http://www.burndy.com>

W-DIES (MD6 HYTOOL™)	
ITEM NO:	N/A
CAT. NO:	WK840
DRAWN BY:	S JEYAGANESH 06/19/2010
CHECKER:	R ROMAN 06/23/2010
DSN APPVL:	R ROMAN 06/23/2010
MFG APPVL:	--
QA APPVL:	J BRODEUR 06/29/2010
MKT APPVL:	R POIRIER 06/23/2010
PROJECT #:	--
DOCUMENT TYPE:	Sales
REL LEVEL:	Released



SCALE:	DRAWING NO	REV
3:2	30001787	B
SHEET 1 OF 1		

REV: PE0200