

DRAWING NO.  
**30001791**

Catalog No.	Item #	B (±.002)	V	Cable Section mm <sup>2</sup>	Index No.	Die Identification		US Indentor (REF)	Old Cat # (REF)	Spain Indentor (REF)
						Info Side 1	Info Side 2			
U10C	10017193	.67 [17]	.39 [10]	10	10	BURNDY U10C 10 <sup>o</sup>	BURNDY U10C 10 <sup>o</sup>	Y29PQS	UV8CD	YPQ1025C
U16C	10017194	.72 [18]	.44 [11]	16	16	BURNDY U16C 16 <sup>o</sup>	BURNDY U16C 16 <sup>o</sup>	Y29PQS	UV6CD	YPQ1025C
U25C	10017195	.65 [17]	.44 [11]	25	25	BURNDY U25C 25 <sup>o</sup>	BURNDY U25C 25 <sup>o</sup>	Y29PQS	UV4CD	YPQ1025C
U35C	10017196	.62 [16]	.50 [13]	35	35	BURNDY U35C 35 <sup>o</sup>	BURNDY U35C 35 <sup>o</sup>	Y29PQS	UV2CD	YPQ3550C
U50C	10017197	.60 [15]	.50 [13]	50-50F	50	BURNDY U50C 50 <sup>o</sup> -50F <sup>o</sup>	BURNDY U50C 50 <sup>o</sup> -50F <sup>o</sup>	Y29PQS	UV1CD	YPQ3550C
U70C	10017198	.57 [14]	.56 [14]	70	70	BURNDY U70C 70 <sup>o</sup>	BURNDY U70C 70 <sup>o</sup>	Y29PQ6S	UV25D	YPQ70300C
U70CF	30003578	.52 [13]	.69 [18]	70F	70F	BURNDY U70CF 70F <sup>o</sup>	BURNDY U70CF 70F <sup>o</sup>	Y29PQ6S	UV26D	----
U95C	10017199	.48 [12]	.69 [18]	95-95F	95	BURNDY U95C 95 <sup>o</sup> -95F <sup>o</sup>	BURNDY U95C 95 <sup>o</sup> -95F <sup>o</sup>	Y29PQ6S	UV27DS	YPQ70300C
U120C	10017200	.48 [12]	.75 [19]	120-120F	120	BURNDY U120C 120 <sup>o</sup> -120F <sup>o</sup>	BURNDY U120C 120 <sup>o</sup> -120F <sup>o</sup>	Y29PQ6S	UV28D	YPQ70300C
U150C	10017201	.37 [9]	.81 [21]	150	150	BURNDY U150C 150 <sup>o</sup>	BURNDY U150C 150 <sup>o</sup>	Y29PQ7S	U30D	YPQ70300C
U185C	10017202	.32 [8]	.81 [21]	150F-185	185	BURNDY U185C 150F <sup>o</sup> -185 <sup>o</sup>	BURNDY U185C 150F <sup>o</sup> -185 <sup>o</sup>	Y29PQ7S	U31D	YPQ70300C
U185CF	30003579	.28 [7]	.81 [21]	185F	185F	BURNDY U185CF 185F <sup>o</sup>	BURNDY U185CF 185F <sup>o</sup>	Y29PQ7S	U32D	----
U240C	10017203	.19 [5]	----	240	240	BURNDY U240C 240 <sup>o</sup>	BURNDY U240C 240 <sup>o</sup>	Y29PQ7S	U34D	YPQ70300C
U240CF	30003580	.15 [4]	----	240F	240F	BURNDY U240CF 240F <sup>o</sup>	BURNDY U240CF 240F <sup>o</sup>	Y29PQ7S	U35BD	----
U300C	10017204	.14 [4]	----	300	300	BURNDY U300C 300 <sup>o</sup>	BURNDY U300C 300 <sup>o</sup>	Y29PQ7S	U36D	YPQ70300C
U300CF	30003581	.15 [4]	----	300F	300F	BURNDY U300CF 300F <sup>o</sup>	BURNDY U300CF 300F <sup>o</sup>	Y29PQ7S	U37BD	----

REV.	DATE	DESCRIPTION	ECO	BY	C'K'D.
A	09/14/10	DRAWING RELEASED	21392	RB	RR

C

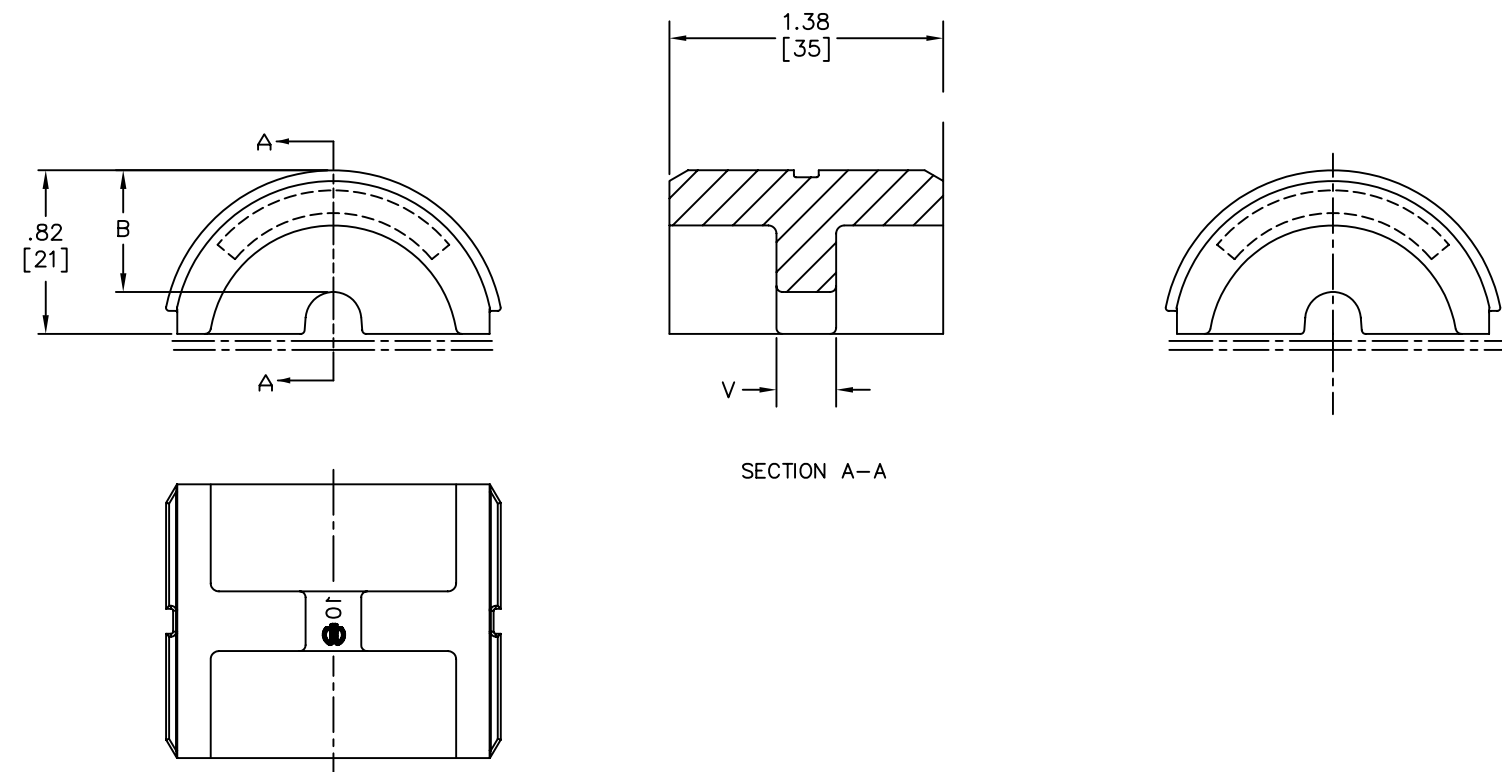
B

A

NOTES:

- DIMENSIONS IN [ ] BRACKETS ARE IN MILIMETERS, ROUNDED OFF TO THE NEAREST MILLIMETER, UNLESS OTHERWISE NOTED. METRIC DIMENSIONS ARE FOR REFERENCE ONLY.
- CATALOG NUMBER (SEE TABLE) CONSISTS OF ONE (SEE TABLE) SINGLE DIES AS SHOWN.
- DIE INSPECTION GAUGE CATALOG NUMBER (CUSTOMER & ENGINEERING USE ONLY):
- CONNECTOR GAUGE CATALOG NUMBER (CUSTOMER & ENGINEERING USE ONLY):
- APPLICATION: YAD-M-E TERMINALS AND METRIC YAV TERMINALS.

USE WITH ADAPTER Y35P1.



TO ORDER BURNDY® PRODUCTS CALL  
 UNITED STATES:  
 1-800-346-4175 (LONDONDERRY, NH)  
 CANADA:  
 1-800-361-6975 (QUEBEC)  
 1-800-387-6487 (ALL OTHER PROVINCES)  
 FOR PRODUCT INFO: <http://www.burndy.com>

NEST DIES	
ITEM NO: --	
CAT NO: SEE TABLE	
SCALE: NTS	
DRAWN BY: R. BOISVERT 09/14/10	
CHECKER: R. ROMAN 09/14/10	
DSN APPVL: R. ROMAN 06/22/10	
MFG APPVL: -- --	
QC APPVL: J BRODEUR 06/28/10	
MKT APPVL: R. POIRIER 06/22/10	
PROD FAM: --	
PROJECT #: --	SIZE
DOCUMENT TYPE: Sales	D
REL LEVEL: AutoCAD	
DRAWING NO	REV
30001791	A
SHEET 1 OF 1	

