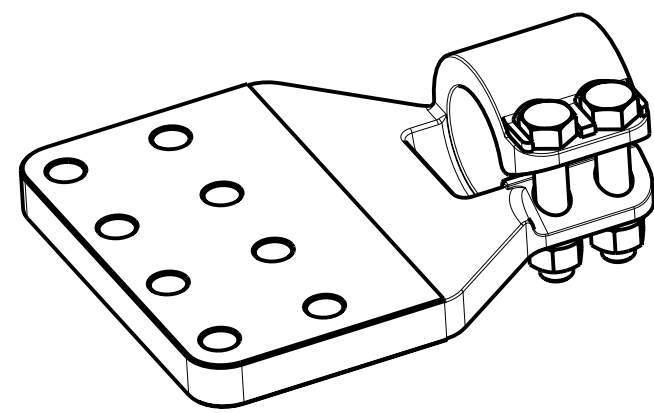
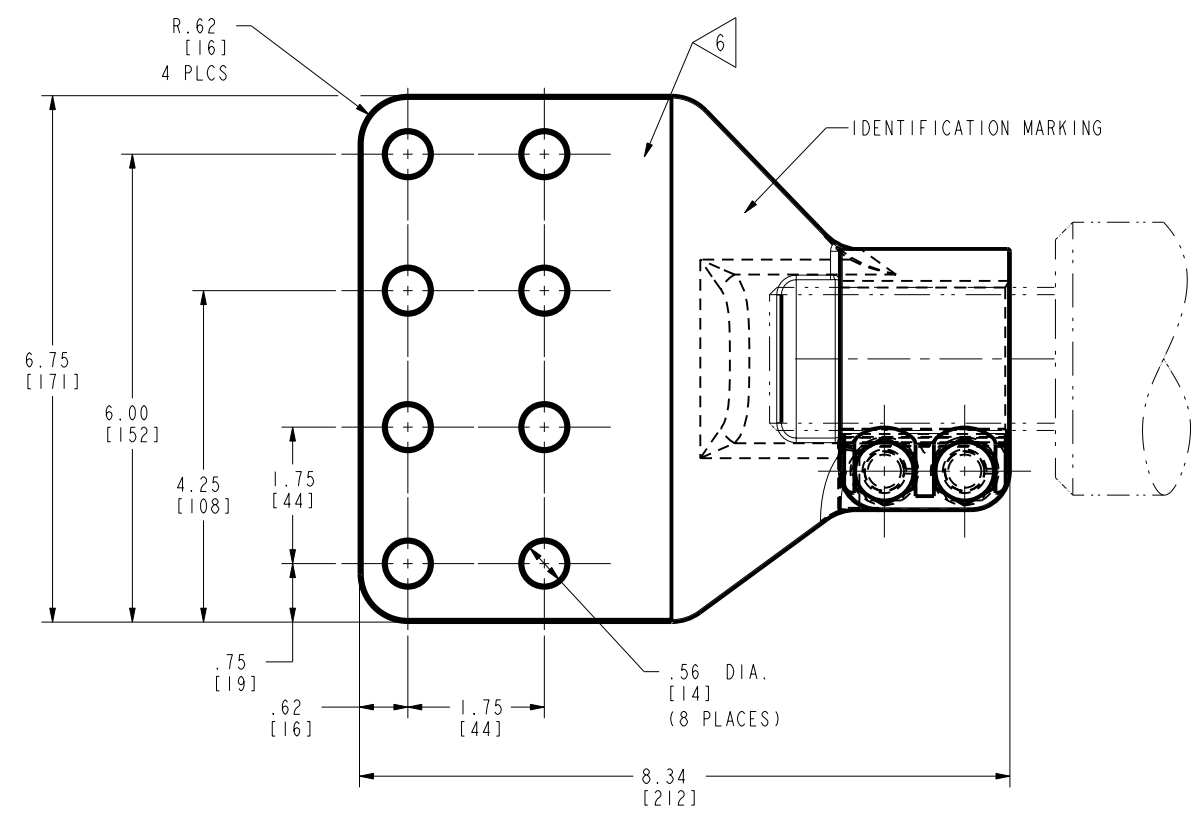
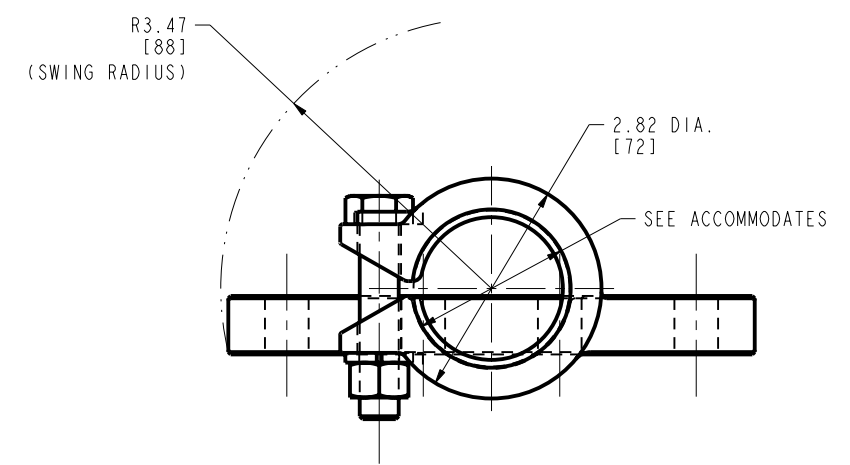
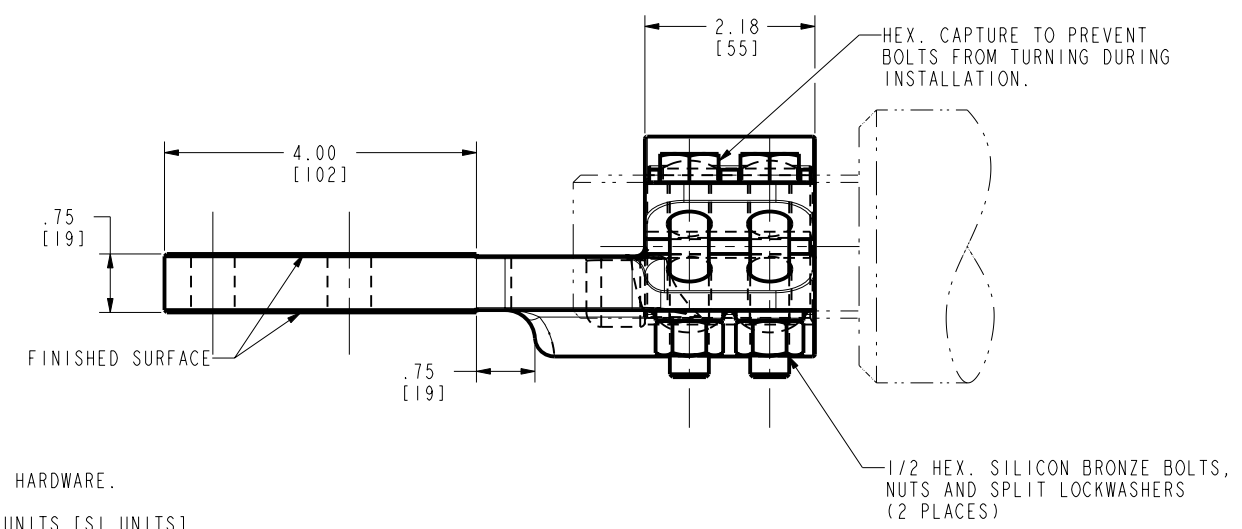


DRAWING NO.	30001825
CATALOG NO.	FD68X12X8N
	FD68X12X8NCGI

REV	DATE	DESCRIPTION	ECO	BY	C'H'K.
A	5/3/2010 11:23:00 PM	CREATED SALES DRAWING FOR FD68X12X8N CHATEAUGAY ORDER 1N HOUSE	20998	NJS	VV



ISOMETRIC VIEW
SCALE 3:4



- NOTES:
- MATERIAL : CAST COPPER ALLOY
 - ACCOMMODATES:
2"-12 STUD
 - INSTALLATION TORQUE:
480 IN-LBS [55 Nm] FOR 1/2" SILICON BRONZE HARDWARE.
 - DIMENSIONS IN BRACKETS [] DENOTES METRIC UNITS [SI UNITS] AND ARE ROUNDED TO THE NEAREST WHOLE NUMBER. UNLESS OTHERWISE SPECIFIED THESE UNITS SHALL BE USED FOR REFERENCE ONLY.
 - THE CONCEPT SHOWN INCORPORATES DESIGN PRINCIPLES WHICH PERMITS OPERATION AT A VOLTAGE GRADIENT NORMALLY ASSOCIATED WITH 230 KV RMS OPERATION PHASE TO PHASE.
- 6 CONNECTOR HAS TIN PLATED PAD

TO ORDER BURNDY® PRODUCTS CALL		STUD CONNECTOR	
UNITED STATES 1-800-346-4175 (LONDONDERRY, NH)		ITEM NO: --	DRAWING NO
CANADA: 1-800-361-6975 (QUEBEC) 1-800-387-6487 (ALL OTHER PROVINCES)		CAT. NO: FD68X12X8N, FD68X12X8NCGI	REV
FOR PRODUCT INFO: http://www.burndy.com		DRAWN BY: NJ SUDHAKAR 05/10/10	SCALE: 1:1
		CHECKER: J HOSKER 06/23/10	30001825
		DSN APPVL: R LAVOIE 06/24/10	A
		MFG APPVL: T WAWRZYNIAK 06/28/10	
		QA APPVL: J HILLMAN 06/29/10	
		MKT APPVL: V TORRES 06/28/10	
		PROJ #: --	
		DOCUMENT TYPE: Sales	
		REL LEVEL: Released	