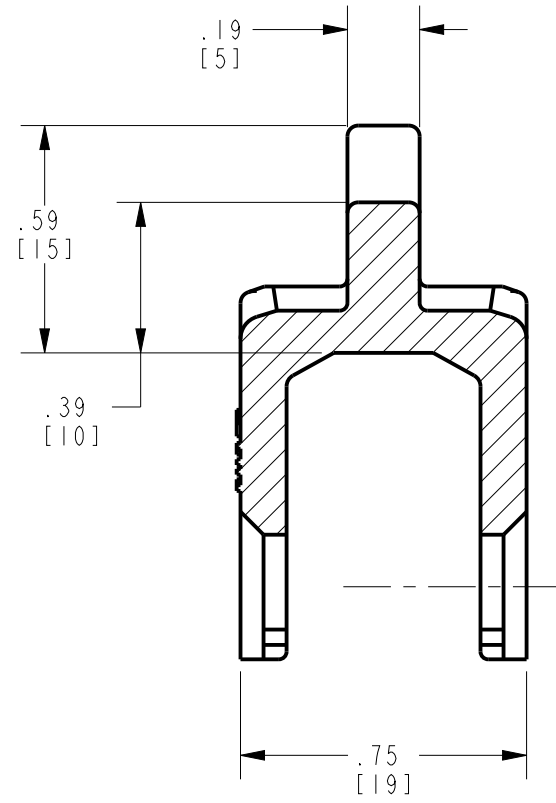
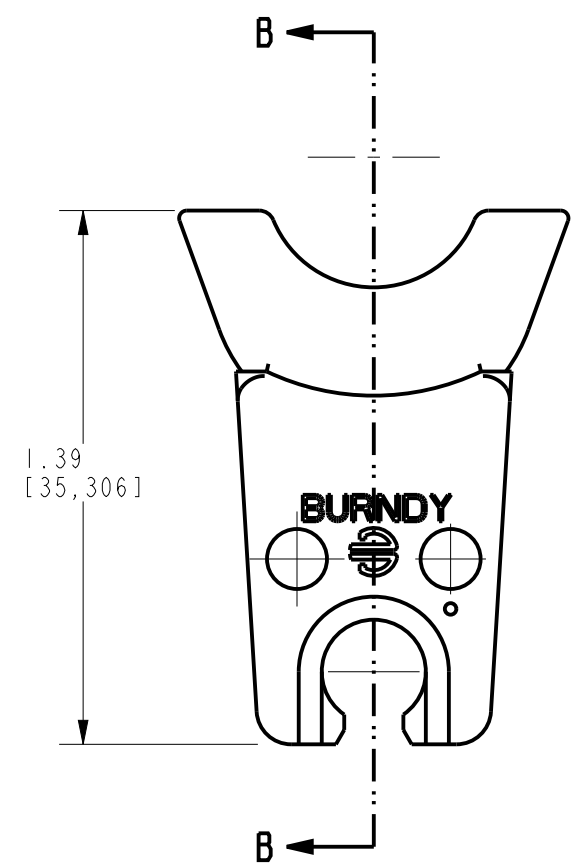
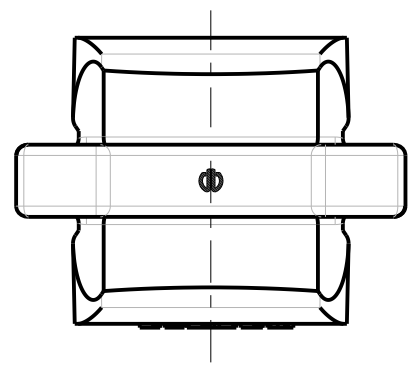
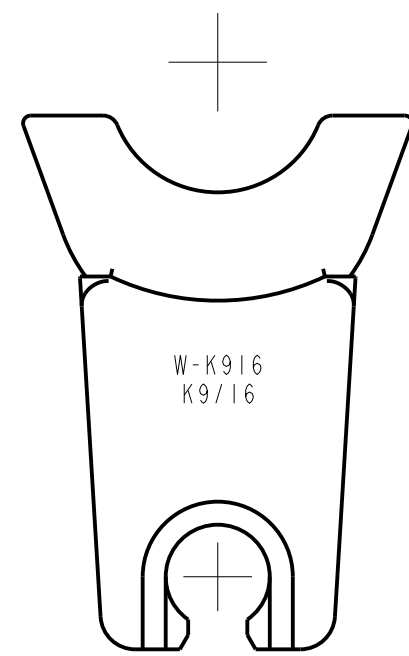


REV.	DATE	DESCRIPTION	ECO	BY	C'H'K.
B	01/29/2014 04:30:00 AM	ADD NOTE 4 TO DRAWING PER M/U.	34286	RB	LB



SECTION B-B



NOTES:

1. THIS DRAWING TO BE INTERPRETED PER ASME Y14.5M - 1994.
2. DIMENSIONS IN BRACKETS [ ] ARE IN MILLIMETERS ROUNDED OFF TO THE NEAREST MILLIMETER, UNLESS OTHERWISE SPECIFIED, AND ARE FOR REFERENCE ONLY.
3. MATERIAL: STAINLESS STEEL.
4. DIE GAGE CAT. NO. WPGK916.

TO ORDER BURNDY® PRODUCTS CALL  
 UNITED STATES:  
 1-800-346-4175 (LONDONDERRY, NH)  
 CANADA:  
 1-800-361-6975 (QUEBEC)  
 1-800-387-6487 (ALL OTHER PROVINCES)  
 FOR PRODUCT INFO: <http://www.burndy.com>

W-DIES (MD6 HYTOOL™)		SCALE: 1:1
ITEM NO:	N/A	DRAWING NO
CAT. NO:	WK916	
DRAWN BY:	I. ANBALAGAN 05/26/10	30002531
CHECKER:	R. ROMAN 06/20/10	
DSN APPVL:	R. ROMAN 06/20/10	
MFG APPVL:	--	
QA APPVL:	C. ACKERMAN 06/03/10	
MKT APPVL:	R. POIRIER 06/11/10	
PROJECT #:	--	
DOCUMENT TYPE:	Sales	
REL LEVEL:	Released	

REV: PE0200