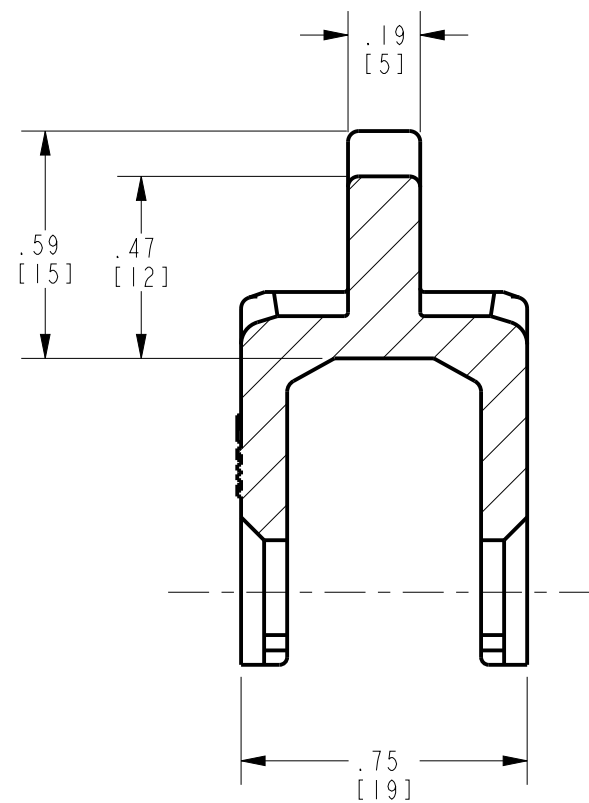
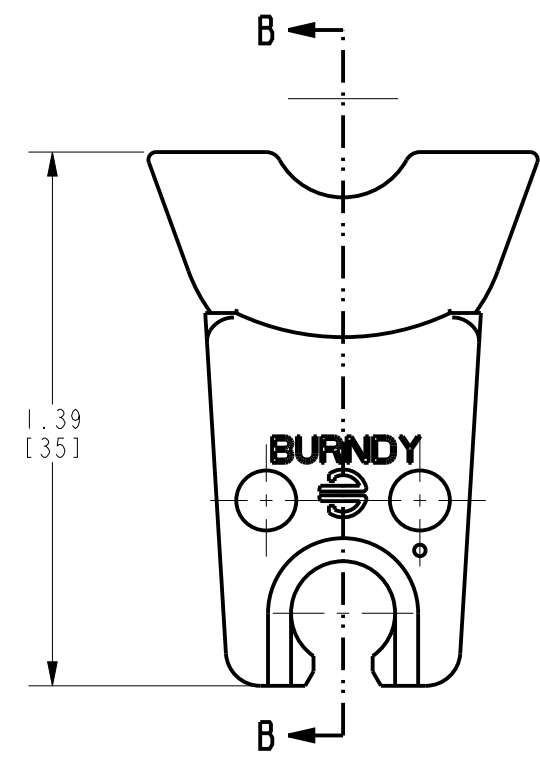
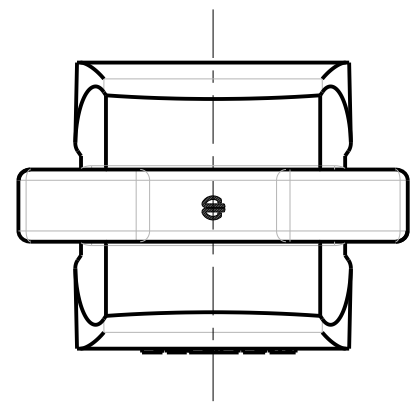
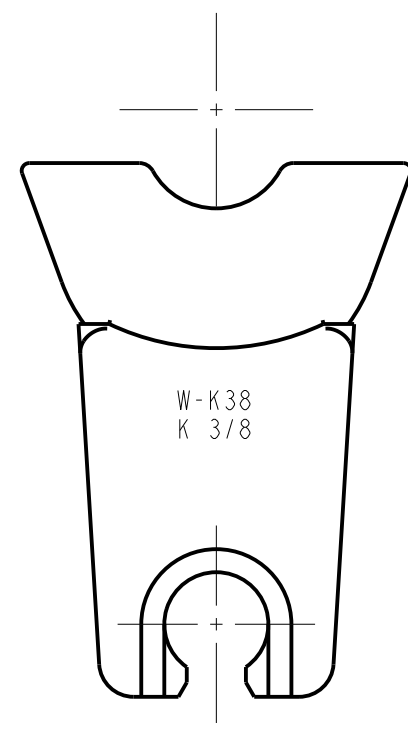


REV.	DATE	DESCRIPTION	ECO	BY	C'H'K.
B	01/29/2014 04:30:00 AM	ADD NOTE 4 TO DRAWING PER M/U.	34286	RB	LB



SECTION B-B



- NOTES:
- THIS DRAWING TO BE INTERPRETED PER ASME Y14.5M - 1994.
 - DIMENSIONS IN BRACKETS [] ARE IN MILLIMETERS ROUNDED OFF TO THE NEAREST MILLIMETER, UNLESS OTHERWISE SPECIFIED, AND ARE FOR REFERENCE ONLY.
 - MATERIAL: STAINLESS STEEL.
 - DIE GAGE CAT. NO. WPGK38.

TO ORDER BURNDY® PRODUCTS CALL
 UNITED STATES:
 1-800-346-4175 (LONDONDERRY, NH)
 CANADA:
 1-800-361-6975 (QUEBEC)
 1-800-387-6487 (ALL OTHER PROVINCES)
 FOR PRODUCT INFO: <http://www.burndy.com>

W-DIES (MD6 HYTOOL™)		SCALE: 1:1	
ITEM NO: N/A		DRAWING NO	
CAT. NO: W-K38		REV	
DRAWN BY: I. ANBALAGAN	05/25/10		
CHECKER: R. ROMAN	06/20/10		
DSN APPVL: R. ROMAN	06/20/10		
MFG APPVL: --	--		
QA APPVL: C. ACKERMAN	06/03/10		
MKT APPVL: R. POIRIER	06/11/10	30002534	
PROD FAM: MECHANICAL/W-DIES		SHEET 1 OF 1	
PROJECT #: --	SIZE B	B	
DOCUMENT TYPE: Sales			
REL LEVEL: Released			

REV: PE0200