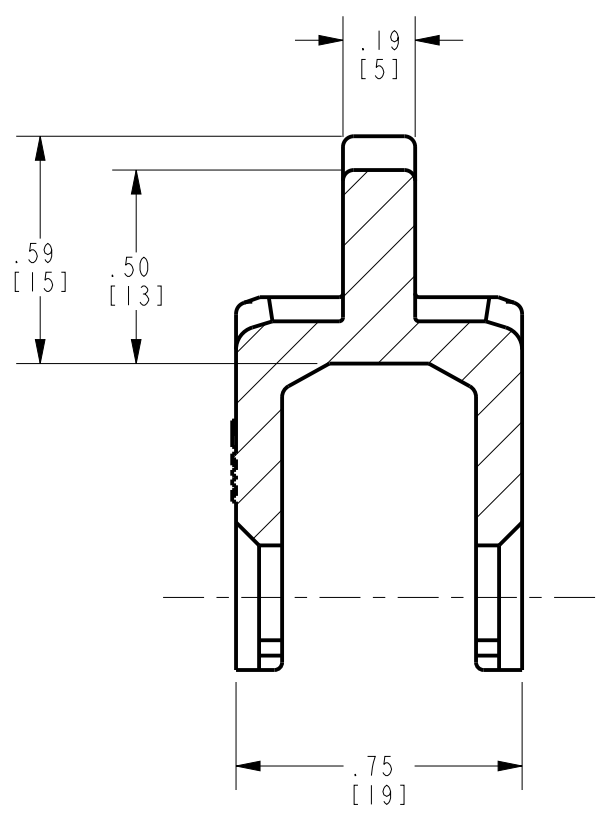
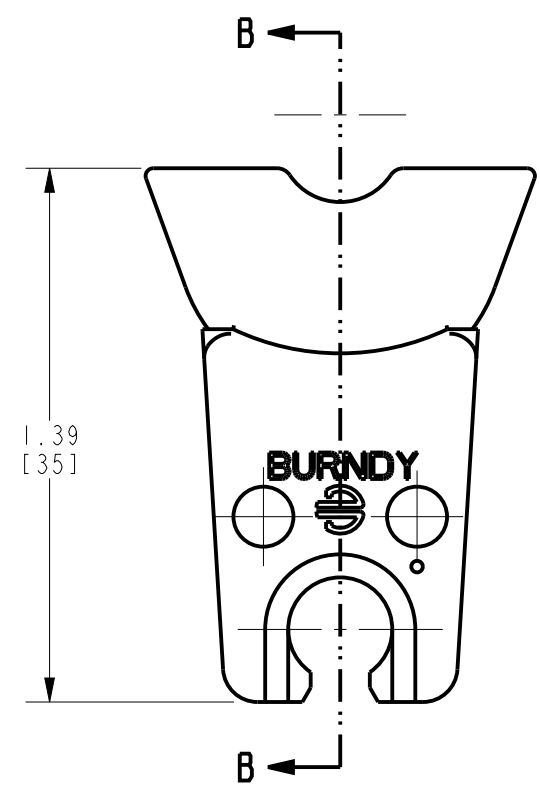
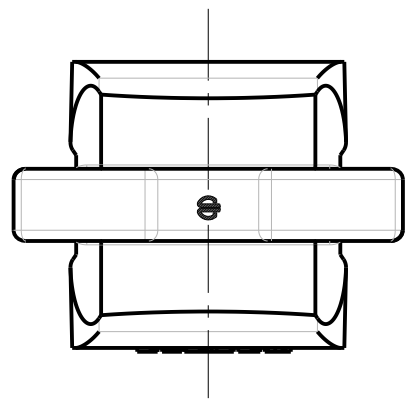
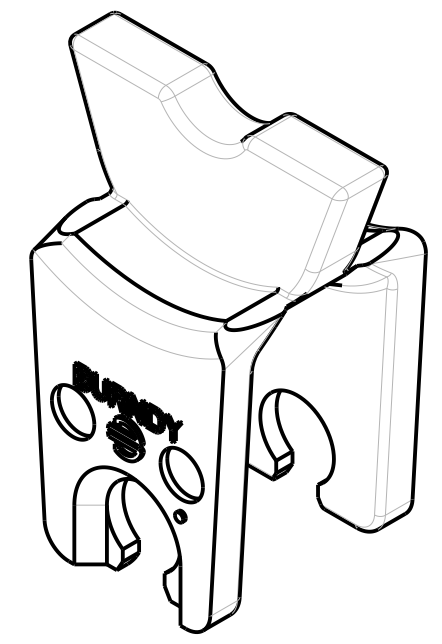
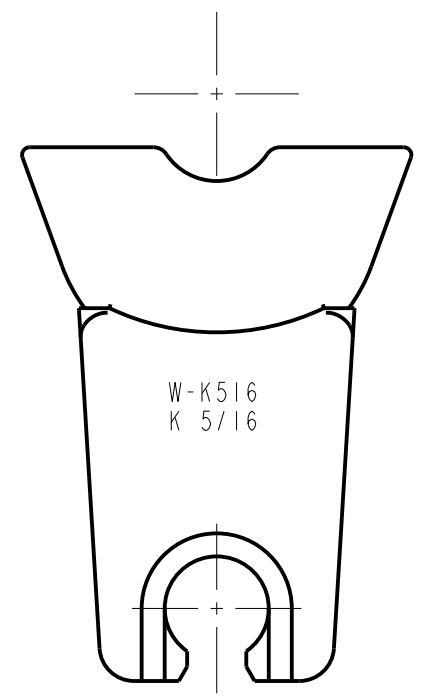


REV.	DATE	DESCRIPTION	ECO	BY	C'H'K.
B	01/29/2014 04:30:00 AM	ADD NOTE 4 TO DRAWING PER M/U.	34286	RB	LB



SECTION B-B



- NOTES:
1. THIS DRAWING TO BE INTERPRETED PER ASME Y14.5M - 1994.
  2. DIMENSIONS IN BRACKETS [ ] ARE IN MILLIMETERS ROUNDED OFF TO THE NEAREST MILLIMETER, UNLESS OTHERWISE SPECIFIED, AND ARE FOR REFERENCE ONLY.
  3. MATERIAL: STAINLESS STEEL.
  4. DIE GAGE CAT. NO. WPGK516.

TO ORDER BURNDY® PRODUCTS CALL  
 UNITED STATES:  
 1-800-346-4175 (LONDONDERRY, NH)  
 CANADA:  
 1-800-361-6975 (QUEBEC)  
 1-800-387-6487 (ALL OTHER PROVINCES)  
 FOR PRODUCT INFO: <http://www.burndy.com>

W-DIES (MD6 HYTOOL™)		SCALE: 1:1	
ITEM NO: N/A		DRAWING NO	
CAT. NO: W-K516		REV	
DRAWN BY: I. ANBALAGAN	05/26/10	<b>BURNDY</b>	
CHECKER: R. ROMAN	06/20/10		
DSN APPVL: R. ROMAN	06/20/10		
MFG APPVL: --	--		
QA APPVL: C. ACKERMAN	06/03/10		
MKT APPVL: R. POIRIER	06/11/10	30002535	
PROJECT #: --	SIZE B	SHEET 1 OF 1	
DOCUMENT TYPE: Sales			
REL LEVEL: Released			

REV: PE0200