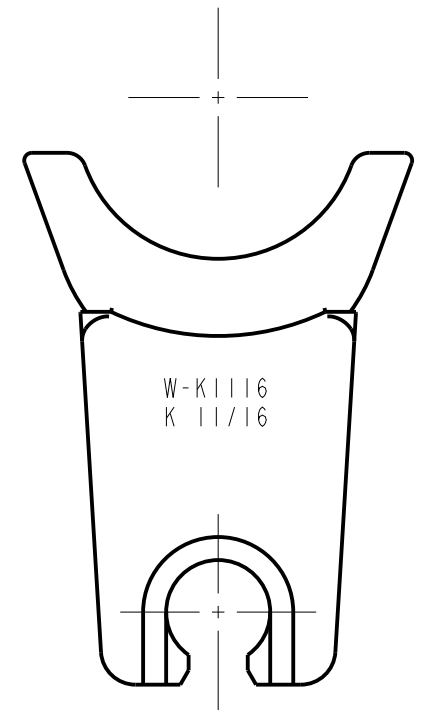
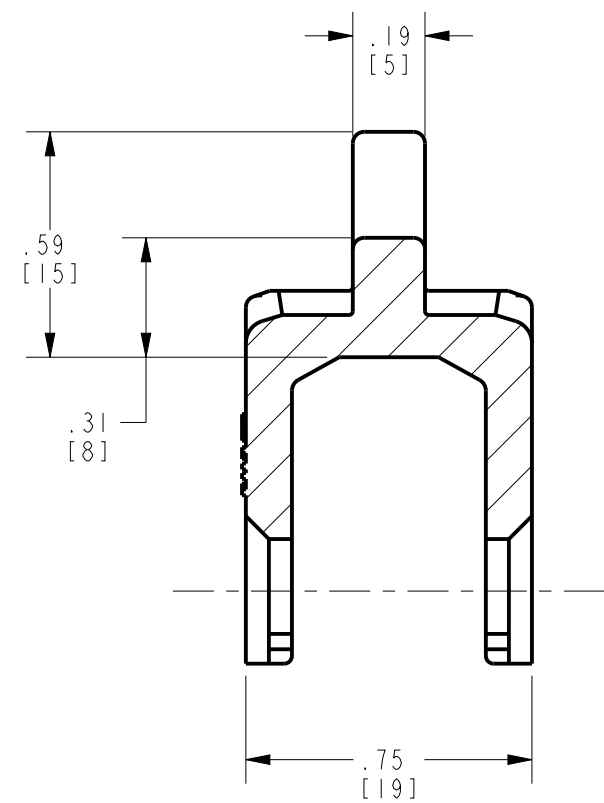
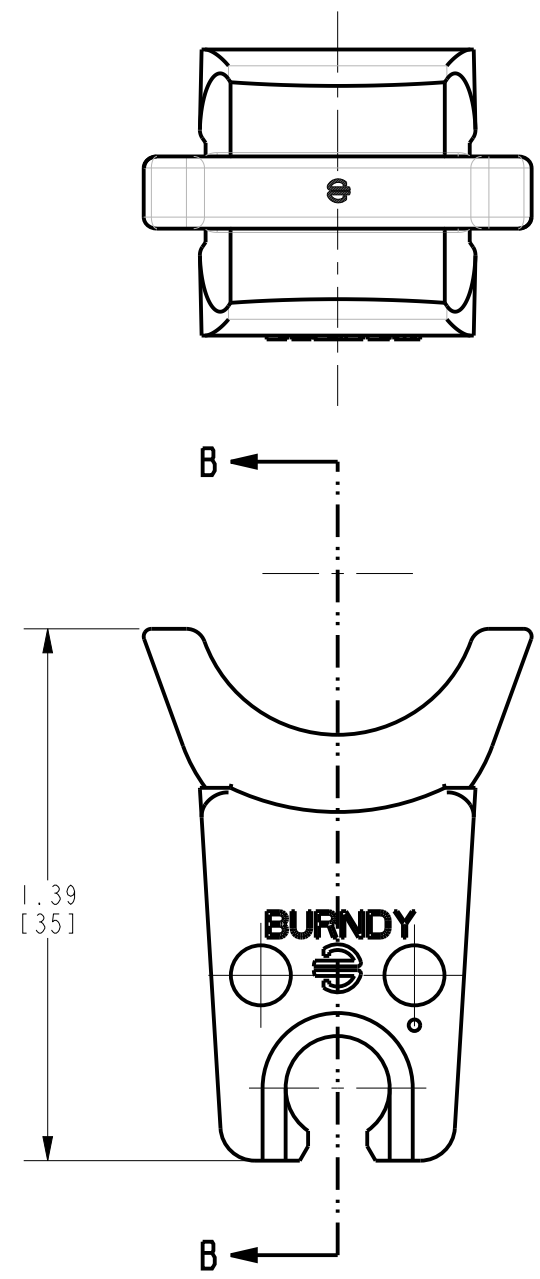


REV.	DATE	DESCRIPTION	ECO	BY	C'H'K.
B	01/28/2014 04:30:00 AM	ADD NOTE 4 TO DRAWING PER M/U.	34286	RB	LB



SECTION B-B

- NOTES:
- THIS DRAWING TO BE INTERPRETED PER ASME Y14.5M - 1994.
 - DIMENSIONS IN BRACKETS [] ARE IN MILLIMETERS ROUNDED OFF TO THE NEAREST MILLIMETER, UNLESS OTHERWISE SPECIFIED, AND ARE FOR REFERENCE ONLY.
 - MATERIAL: STAINLESS STEEL.
 - DIE GAGE CAT. NO. WPGK1116.

TO ORDER BURNDY® PRODUCTS CALL
 UNITED STATES:
 1-800-346-4175 (LONDONDERRY, NH)
 CANADA:
 1-800-361-6975 (QUEBEC)
 1-800-387-6487 (ALL OTHER PROVINCES)
 FOR PRODUCT INFO: <http://www.burndy.com>

W-DIES (MD6 HYTOOL™)		SCALE: 1:1	
ITEM NO:	N/A	DRAWING NO	REV
CAT. NO:	W-K1116	30002536	B
DRAWN BY:	I. ANBALAGAN 05/26/10		
CHECKER:	R. ROMAN 06/20/10		
DSN APPVL:	R. ROMAN 06/20/10		
MFG APPVL:	-- --		
QA APPVL:	C. ACKERMAN 06/03/10		
MKT APPVL:	R. POIRIER 06/11/10	SHEET 1 OF 1	
PROJECT #:	--	SIZE	B
DOCUMENT TYPE:	Sales		
REL LEVEL:	Released		

REV: PE0200