

DRAWING NO.
30002640

7

6

5

4

3

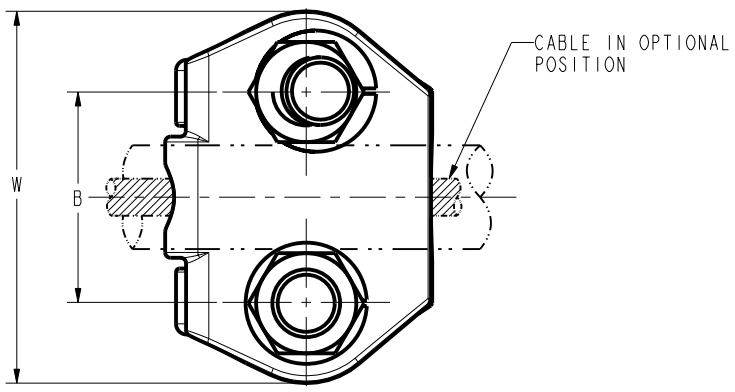
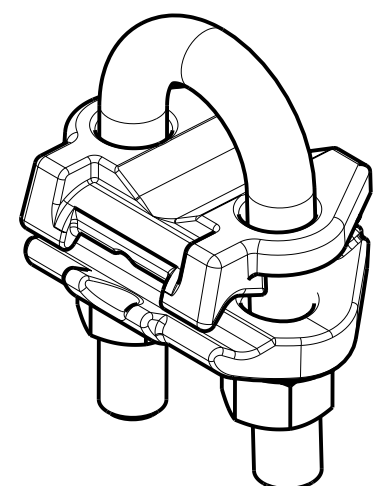
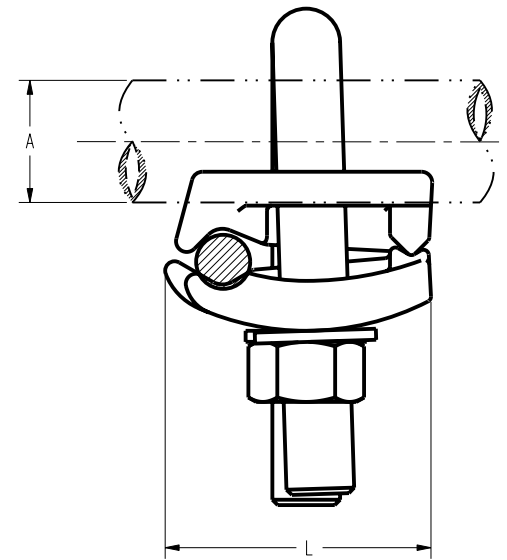
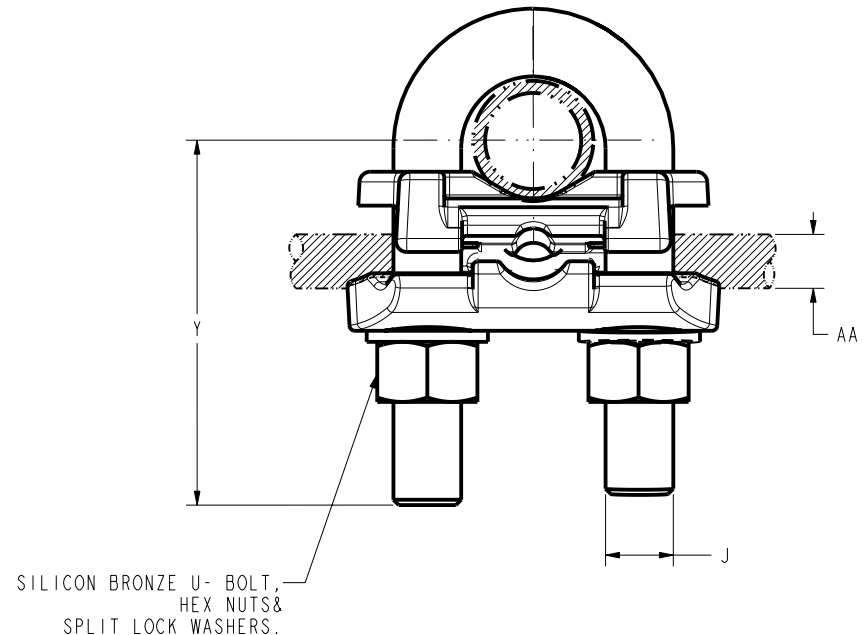
2

1

REV	DATE	DESCRIPTION	ECO	BY	C'H'K.
A	10/30/2012 00:00:00 AM	UPDATED FORMAT	29196	NG	NJS

D	CATALOG NUMBER	A				AA								B		Y		J		L		W		"U" BOLT	TORQUE			
		ROD ACCOMMODATED		I.P.S. PIPE ACCOMMODATED		COPPER CONDUCTOR ACCOMMODATED				(in)	(mm)	(in)	(mm)	(in)	(mm)	(in)	(mm)	(in)	(mm)	Lb	in	Nm						
		NOMINAL DIAMETER (in)	ACTUAL DIAMETER		NOMINAL DIAMETER (in)	ACTUAL DIAMETER		AWG															METRIC WIRE SIZE					
			(in)	(mm)		(in)	(mm)	MIN	MAX														MIN		MAX			
	GAR6426SE	0.625 - 0.75	0.625 - 0.75	[16] - [19]	3/8	0.675	[17]	4 sol	0.204	2/0 str	0.419	25mm ² str	[6.5]	70mm ² str	[10.9]	1.50	[38]	2.06	[52]	3/8	[10]	1.56	[40]	2.06	[52]	269	240	27.0

CATALOG NUMBER	CONDUCTOR			
	TUBE I.P.S.	ROD O.D.	REBAR SIZE	CABLE
GAR6426SE	3/8	5/8-3/4	#5 (5/8")- #6 (3/4")	4 SOL-2/0 STR



- NOTES:
1. MATERIAL: CAST COPPER ALLOY.
 2. FINISH: BRIGHT DIPPED.
 3. UL 467 LISTED FILE NO. E9999, ACCEPTABLE FOR DIRECT BURIAL IN EARTH AND CONCRETE.CSA CERTIFIED.
 4. DIMENSIONS IN [] BRACKETS ARE IN MILLIMETERS, ROUNDED OFF TO THE NEAREST MILLIMETER, UNLESS OTHERWISE NOTED.METRIC DIMENSIONS ARE FOR REFERENCE ONLY.

REV: PE0200

TO ORDER BURNDY® PRODUCTS CALL
 UNITED STATES
 1-800-346-4175 (LONDONDERRY, NH)
 CANADA:
 1-800-361-6975 (QUEBEC)
 1-800-387-6487 (ALL OTHER PROVINCES)
 FOR PRODUCT INFO: <http://www.burndy.com>

GROUND CLAMP			
ITEM NO:	30000964		
CAT. NO:	GAR6426SE		
DRAWN BY:	M.GOWRI	05/29/10	
CHECKER:	--	--	
DSN APPVL:	D SPURRELL	10/23/12	
MFG APPVL:	G KELLY	10/31/12	
QA APPVL:	J HILLMAN	11/06/12	
MKT APPVL:	P THERRIEN	10/23/12	
PROD FAM:	MECHANICAL GROUNDING	DRAWING NO	REV
PROJECT #:	--	SIZE	30002640
DOCUMENT TYPE:	Sales		A
REL LEVEL:	Released		SHEET 1 OF 1

8

7

6

5

4

3

2

1