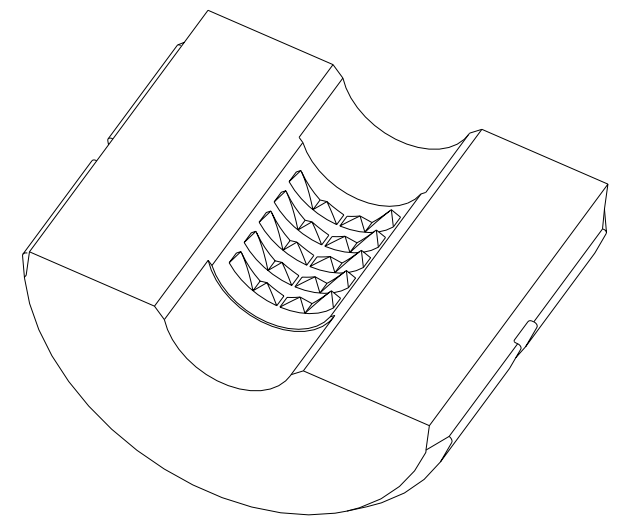
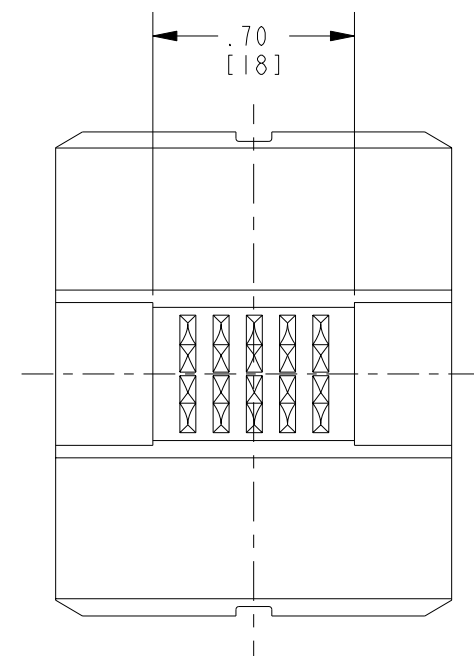
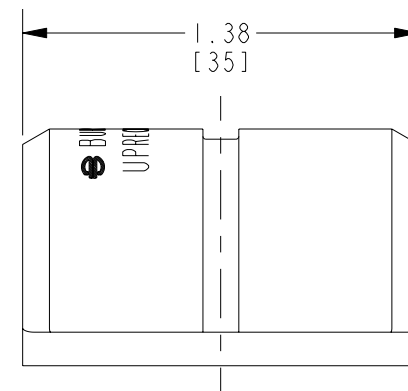
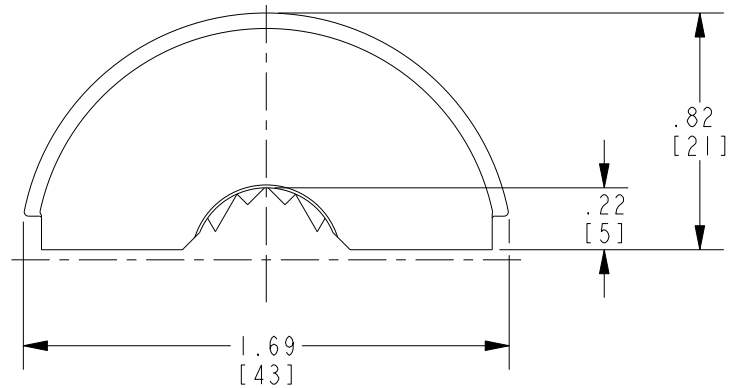


REV.	DATE	DESCRIPTION	ECO	BY	C'H'K.
A	7/26/2010 9:39:00 AM	SALES DRAWING RELEASED	21548	RM	JG



GROUND ROD DIA .	PRECRIMP DIES	
1/2"	UPRECRIMP 12	U2CABT
5/8"	UPRECRIMP 58	
3/4"	UPRECRIMP 34	

WHEN ATTACHING CONNECTOR TO GROUND ROD, GROUND ROD MUST BE EMBOSSED WITH APPROPRIATE PRECRIMP™ DIE. FOR CONNECTIONS THAT MUST MEET IEEE 837 REQUIREMENTS UPRECRIMP™ - TYPE PRECRIMP DIES MUST BE USED FOR MAXIMUM CLAMPING RETENTION.

NOTES:

1. DIMENSIONS IN [ ] BRACKETS ARE IN MILLIMETERS, ROUNDED OFF TO THE NEAREST MILLIMETER, UNLESS OTHERWISE NOTED. METRIC DIMENSIONS ARE FOR REFERENCE ONLY.
2. DIE INSPECTION GAGE CATALOG NUMBER (CUSTOMER AND ENGINEERING ONLY): N/A
3. MATERIAL: STEEL.
4. SEE THE GROUNDING SECTION OF MASTER CATALOG FOR MORE INFORMATION.

TO ORDER BURNDY® PRODUCTS CALL  
 UNITED STATES:  
 1-800-346-4175 (LONDONDERRY, NH)  
 CANADA:  
 1-800-361-6975 (QUEBEC)  
 1-800-387-6487 (ALL OTHER PROVINCES)  
 FOR PRODUCT INFO: <http://www.burndy.com>

PRECRIMP DIE			
ITEM NO:	N/A		
CAT. NO:	UPRECRIMP12		
DRAWN BY:	R. MURUGESAN	7/26/2010	
CHECKER:	--	--	
DSN APPVL:	--	--	
MFG APPVL:	--	--	
QA APPVL:	--	--	
MKT APPVL:	--	--	
PROD FAM:	TOOLS_HYDRAULIC/U_DIE	DRAWING NO	REV
PROJECT #:	--	30003052	A
DOCUMENT TYPE:	Sales	SIZE	B
REL LEVEL:	Released	SHEET	1 OF 1

REV: PE0200