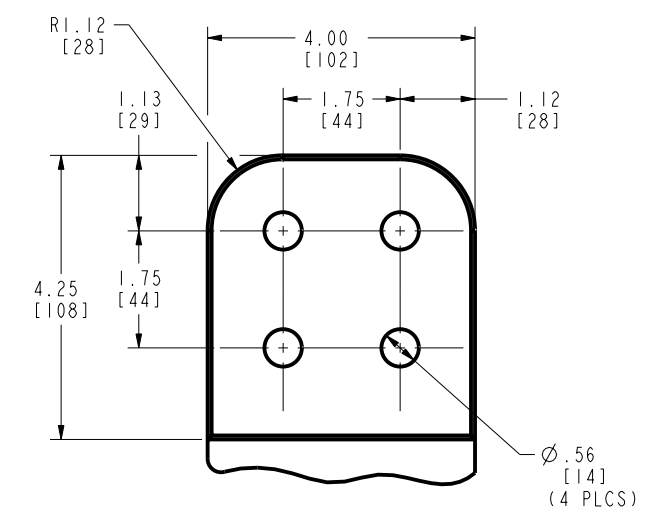
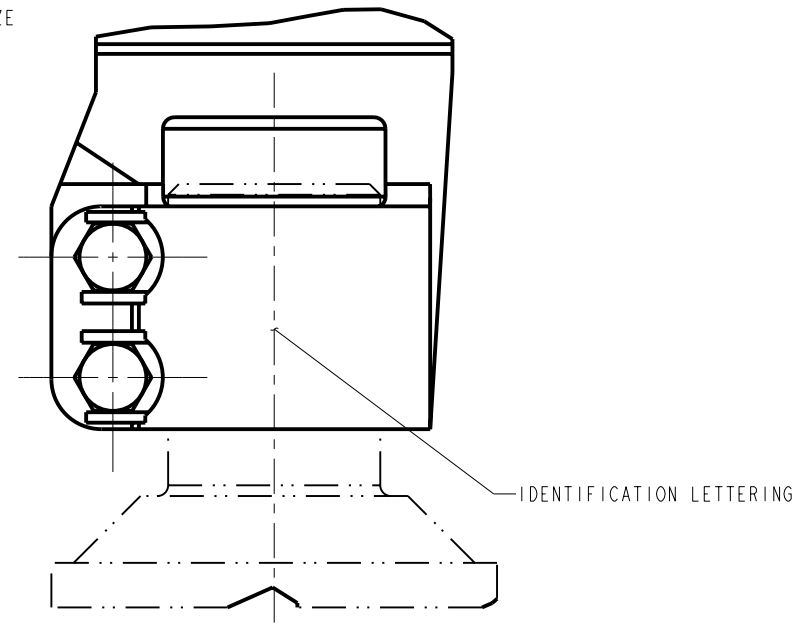
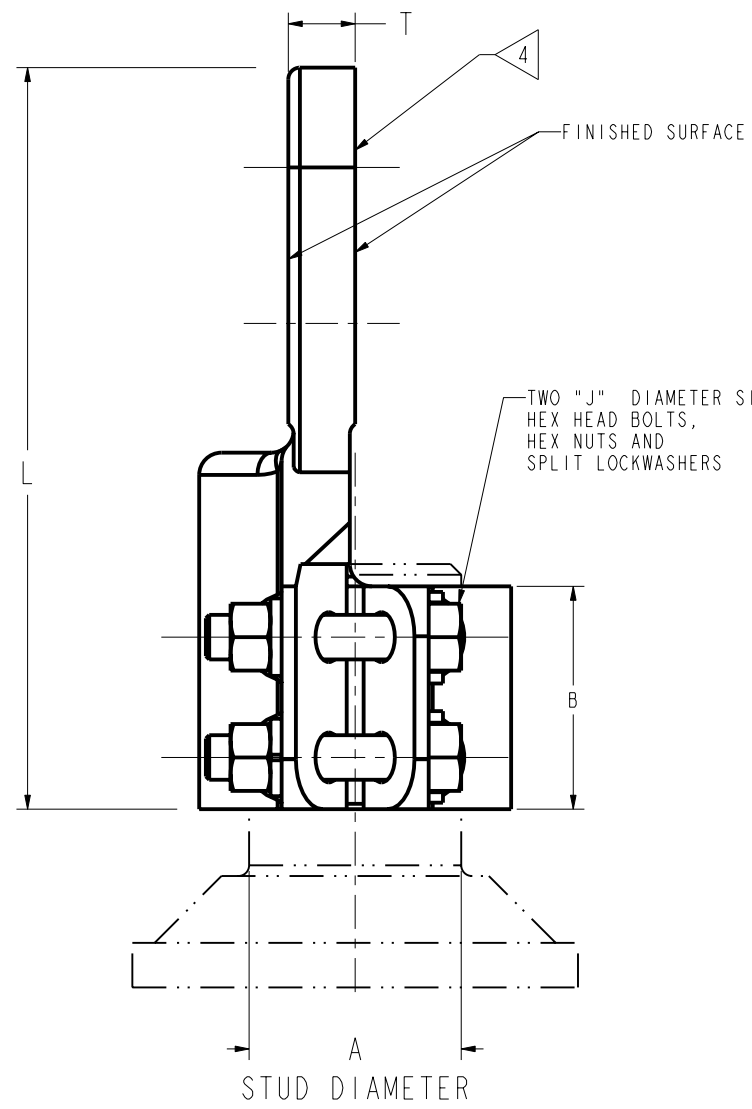
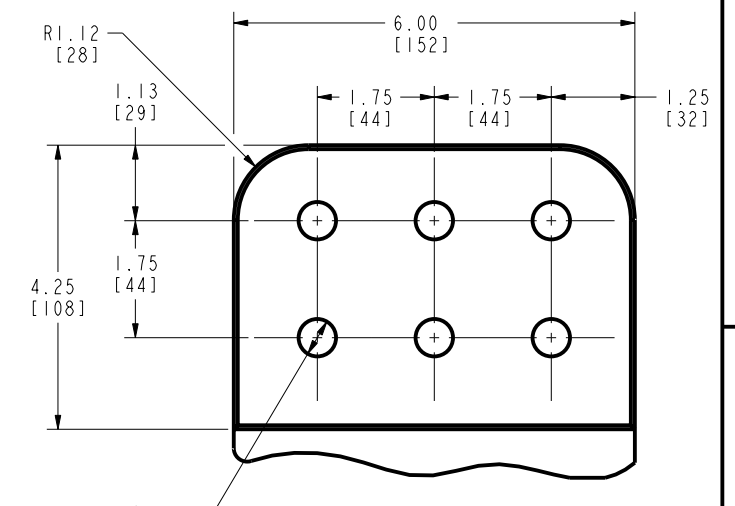


D
C
B
A

D
C
B
A



PAD D

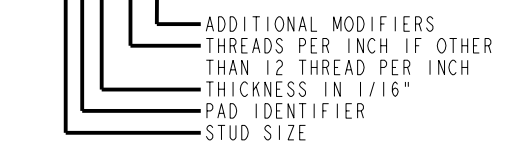


PAD F

NOTES:

- MATERIAL: CAST COPPER ALLOY.
- ALL STUDS ARE TWELVE (12) THREADS PER INCH (TPI) UNLESS OTHERWISE SPECIFIED IN CATALOG NUMBER IF THREADS OTHER THAN 12 TPI ARE REQUIRED, ADD SUFFIX "T16", "T14", ETC. AS REQUIRED, E.G. FD64B5T16. "T16" INDICATES 16 TPI, FD65C6T14, "T14" INDICATES 14 TPI, FD67D8T0, "T0" INDICATES SMOOTH STUD (NO THREADS).
- DIMENSIONS IN BRACKET [] ARE IN MILLIMETERS ROUNDED OFF TO THE NEAREST MILLIMETER, UNLESS OTHERWISE NOTED, AND ARE FOR REFERENCE ONLY.
- TIN PLATED PAD ONLY. CONNECTOR HAS BARE STUD.

COMPOSITION OF CATALOG NUMBER
FD72F18T----



REFERENCE: SD079583 FOR OTHER SIZES

CATALOG NUMBER	"A" DIA STUD	PAD	B CONTACT LENGTH	J BOLT	L	T	NOMINAL AMPERE RATING
FD72F18CG1	4"-12	F	3.00 [76]	5/8"-11	8.42 [214]	1.12 [28]	4200
FD72D27CG1	4"-12	D			8.42 [214]	1.68 [43]	3000

TO ORDER BURNDY® PRODUCTS CALL		STUD CONNECTOR	
UNITED STATES 1-800-346-4175 (LONDONDERRY, NH)		ITEM NO: N/A	CAT. NO: FD--CGI (TABLE)
CANADA: 1-800-361-6975 (QUEBEC) 1-800-387-6487 (ALL OTHER PROVINCES)		DRAWN BY: S PANDIAN 06/23/10	CHECKER: J HOSKER 06/25/10
FOR PRODUCT INFO: http://www.burndy.com		DSN APPVL: J HOSKER 06/25/10	MFG APPVL: T WAWRZYNIAK 06/30/10
		QA APPVL: J HILLMAN 06/29/10	MKT APPVL: V TORRES 06/30/10
		PROJ #: --	SCALE: 1:1
		DOCUMENT TYPE: Sales	DRAWING NO: 30003710
		REL LEVEL: Released	REV: A
		SIZE: D	SHEET 1 OF 1

REV: PE0200