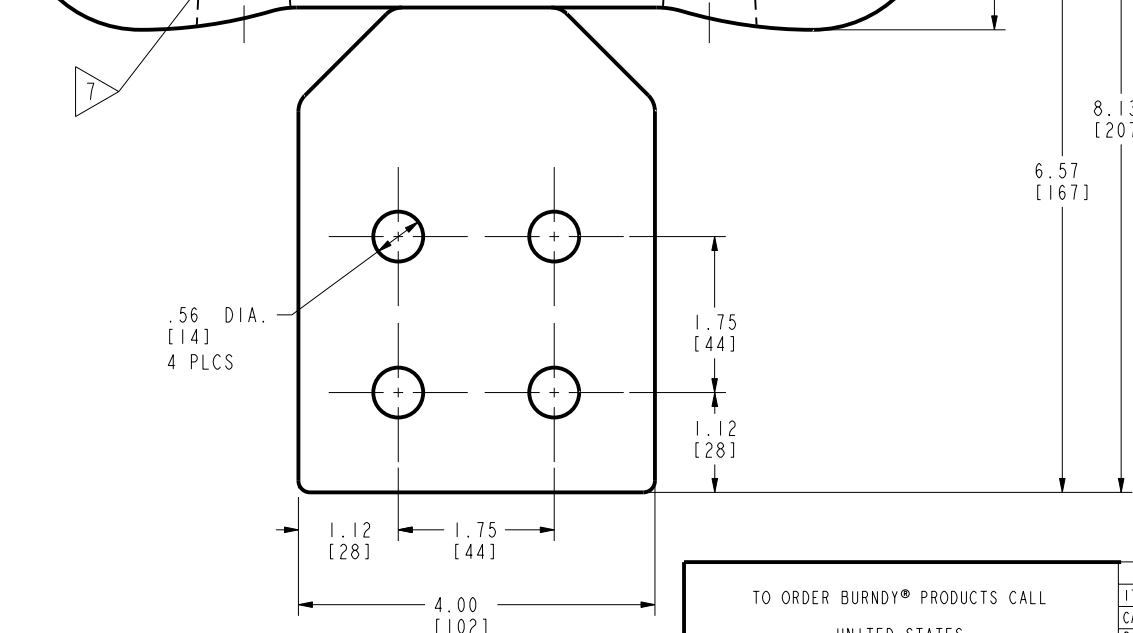
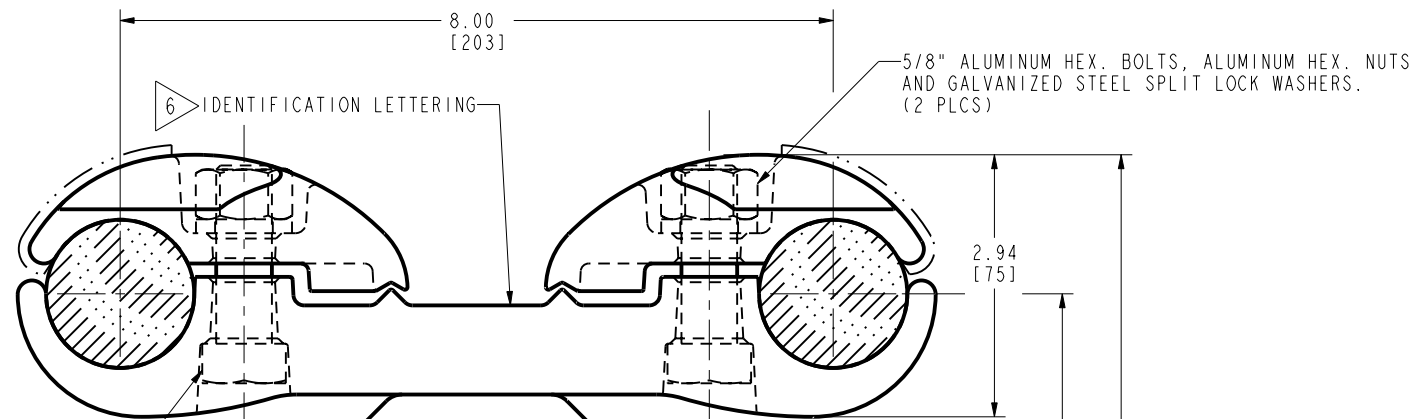
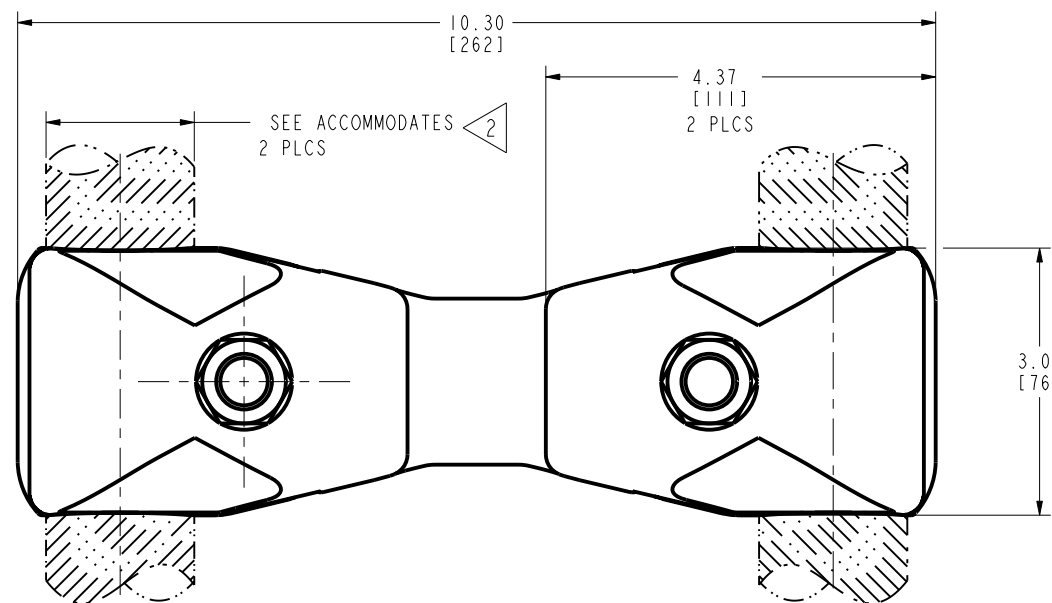
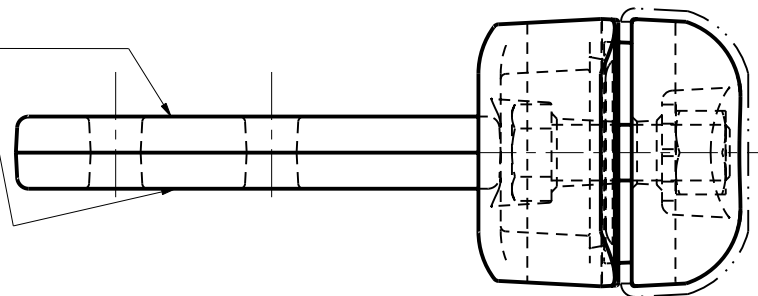


DRAWING NO.
30003877

REV	DATE	DESCRIPTION	ECO	BY	C'H'K.
A	6/5/2010 12:26:00 PM	CREATED SALES DRAWING FOR S2GBPA48A8 (26001163) CUSTOMER REQUEST	21234	NJS	RL

FINISHED SURFACE



NOTES:

- 1 MATERIAL:
BODY & CAP: CAST ALUMINUM ALLOY
- 2 ACCOMMODATES:
1750 Kcmil 127 STR (1.526 [39] DIA.) - 2000 Kcmil 91 STR (1.632 [41] DIA.) AAC.
1590 Kcmil 45/7 STR (1.502 [38] DIA.) - 1780 Kcmil 84/19 STR (1.602 [41] DIA.) ACSR.
- 3 DIMENSIONS IN BRACKETS [] DENOTES METRIC UNITS [SI UNITS] AND ARE ROUNDED TO THE NEAREST WHOLE NUMBER, UNLESS OTHERWISE SPECIFIED THESE UNITS SHALL BE USED FOR REFERENCE ONLY.
- 4 NOMINAL BOLT INSTALLATION TORQUE:
480 LB-IN [55 Nm] FOR 5/8" ALUMINUM HARDWARE.
- 5 PENETROX® NOTE:
SCRATCH BRUSH CONNECTOR CONTACT SURFACE DRY, THEN APPLY PENETROX® A.
PENETROX® CAN BE PURCHASED FROM BURNDY LLC, USA. INC. IN CANS OR PLASTIC SQUEEZE BOTTLES.
- 6 ALL LETTERING IS RECESSED AND WILL APPEAR ON OUTSIDE OF CASTING
- 7 HEX BOLTS CAPTURED TO PREVENT TURNING DURING INSTALLATION.
- 8 THE CONCEPT SHOWN INCORPORATES DESIGN PRINCIPLES WHICH PERMIT OPERATION AT A VOLTAGE GRADIENT NORMALLY ASSOCIATED WITH 550 KV RMS OPERATION PHASE TO PHASE.

TO ORDER BURNDY® PRODUCTS CALL		TWO CONDUCTOR SPACER, EHV	
UNITED STATES 1-800-346-4175 (LONDONDERRY, NH)		ITEM NO: --	CAT. NO: S2GBPA48A8
CANADA: 1-800-361-6975 (QUEBEC) 1-800-387-6487 (ALL OTHER PROVINCES)		DRAWN BY: NJ SUDHAKAR 06/26/10	CHECKER: J HOSKER 08/11/10
FOR PRODUCT INFO: http://www.burndy.com		DSN APPVL: J HOSKER 08/11/10	MFG APPVL: T WAWRZYNIAK 08/16/10
		QA APPVL: J BRODEUR 08/13/10	MKT APPVL: V TORRES 08/11/10
		PROJ FAMIL: SUBSTATION	DRAWING NO: 30003877
		PROJECT #: --	SCALE: 1:1
		DOCUMENT TYPE: Sales	REV: A
		REL LEVEL: Released	SHEET 1 OF 1

REV: PE0200