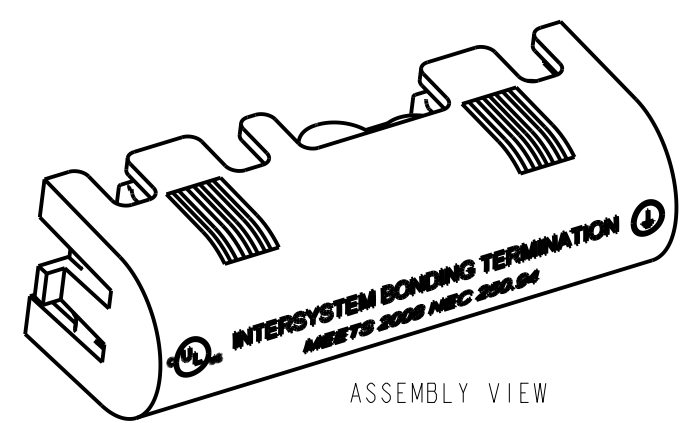
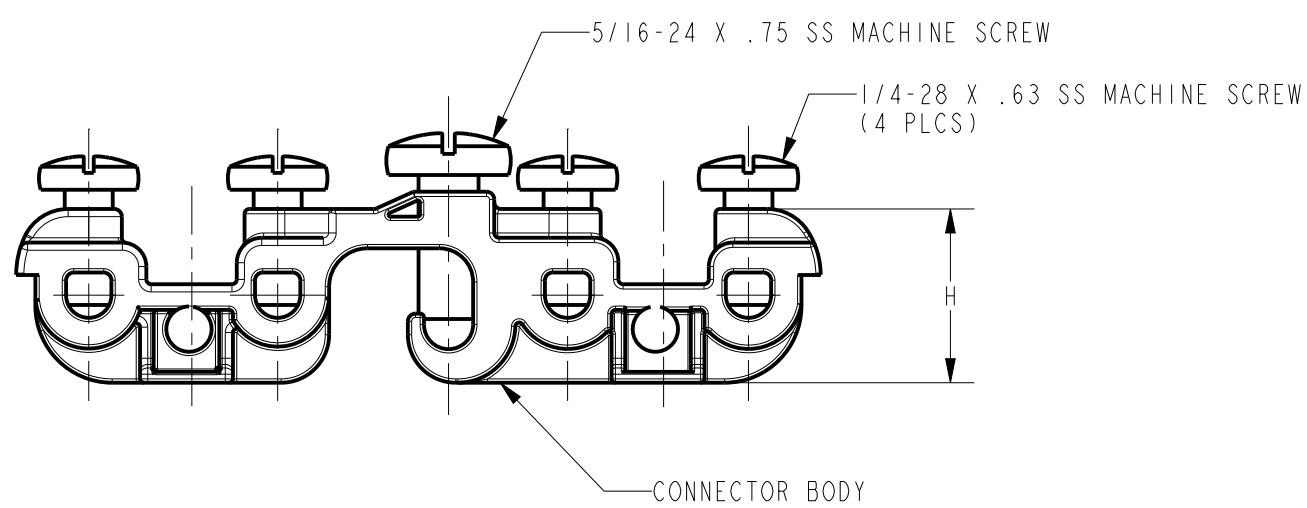
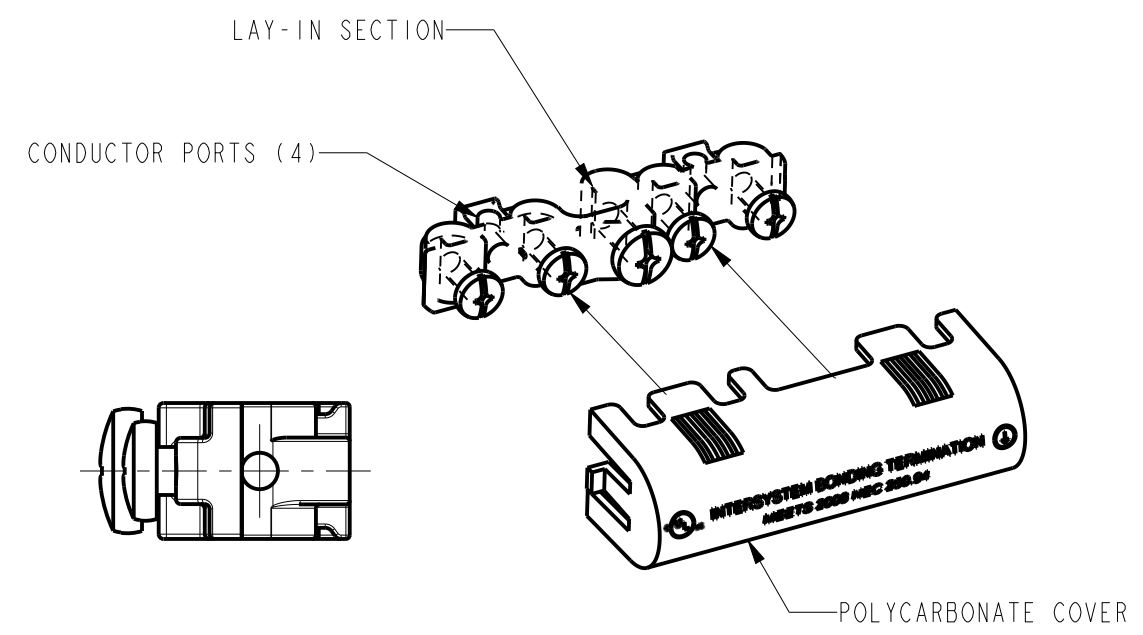
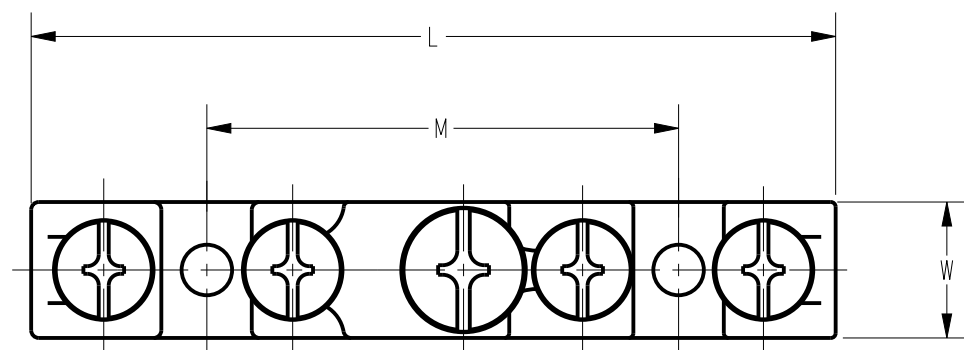


CAT NO.	CONDUCTOR RANGE		REFERENCE DIMENSIONS			
	LAY-IN SECTION	CONDUCTOR PORTS	L	W	H	M
BDTIBB	#6-#2 AWG	#14-#4 AWG	4.01 [102]	.71 [18]	1.00 [25]	2.38 [61]

REV.	DATE	DESCRIPTION	ECO	BY	C'H'K.
D	2019-06-04 02:00:00 EDT	FOCUS REQUEST FPN1905066	51535	JL	BE

RECOMMENDED TIGHTENING TORQUE (IN-LB)		
WIRE SIZE	LAY-IN SECTION	CONDUCTOR PORT
#14	-	35
#12	-	35
#10	-	35
#8	-	40
#6	45	45
#4	45	45
#2	50	-



- NOTES:
- MATERIAL:  
 BODY: ZINC  
 SCREWS: STAINLESS STEEL  
 COVER: POLYCARBONATE
  - DIMENSIONS IN BRACKETS [ ] ARE IN MILLIMETERS, ROUNDED OFF TO THE NEAREST MILLIMETER AND ARE FOR REFERENCE ONLY.
  - UL LISTED TO UL467 (GROUNDING AND BONDING) FOR USA AND CANADA.
  - PACKAGING INCLUDES CONNECTOR, (5) CONDUCTOR SCREWS, AND COVER. MOUNTING HARDWARE NOT INCLUDED.
  - SEE PACKAGING FOR INSTALLATION INSTRUCTIONS
  - FOR BULK ORDER QTY OF 50, USE CATALOG NO. BDTIBBBULK.

TO ORDER BURNDY® PRODUCTS CALL  
 UNITED STATES:  
 1-800-346-4175 (LONDONDERRY, NH)  
 CANADA:  
 1-800-361-6975 (QUEBEC)  
 1-800-387-6487 (ALL OTHER PROVINCES)  
 FOR PRODUCT INFO: <http://www.burndy.com>

BONDIT WALL MOUNT			
ITEM NO: 30001836			
CAT. NO: BDTIBB			
DRAWN BY: N.D.KANNAN	07/02/2010		
CHECKER: P.WASON	--		
DSN APPVL: P.WASON	--		
MFG APPVL: P.KEENAN	--		
QA APPVL: J.BRODEUR	--		
MKT APPVL: P.THERRIEN	--		
PROD FAM: --		DRAWING NO	REV
PROJECT #: EPI3957	SIZE	30003958	D
DOCUMENT TYPE: Sales	B	SHEET 1 OF 1	
REL LEVEL: Released			

REV: PE0200