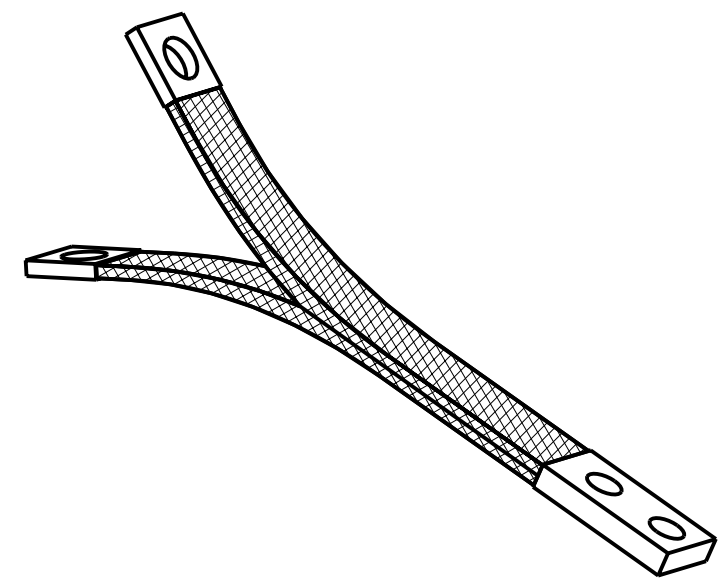
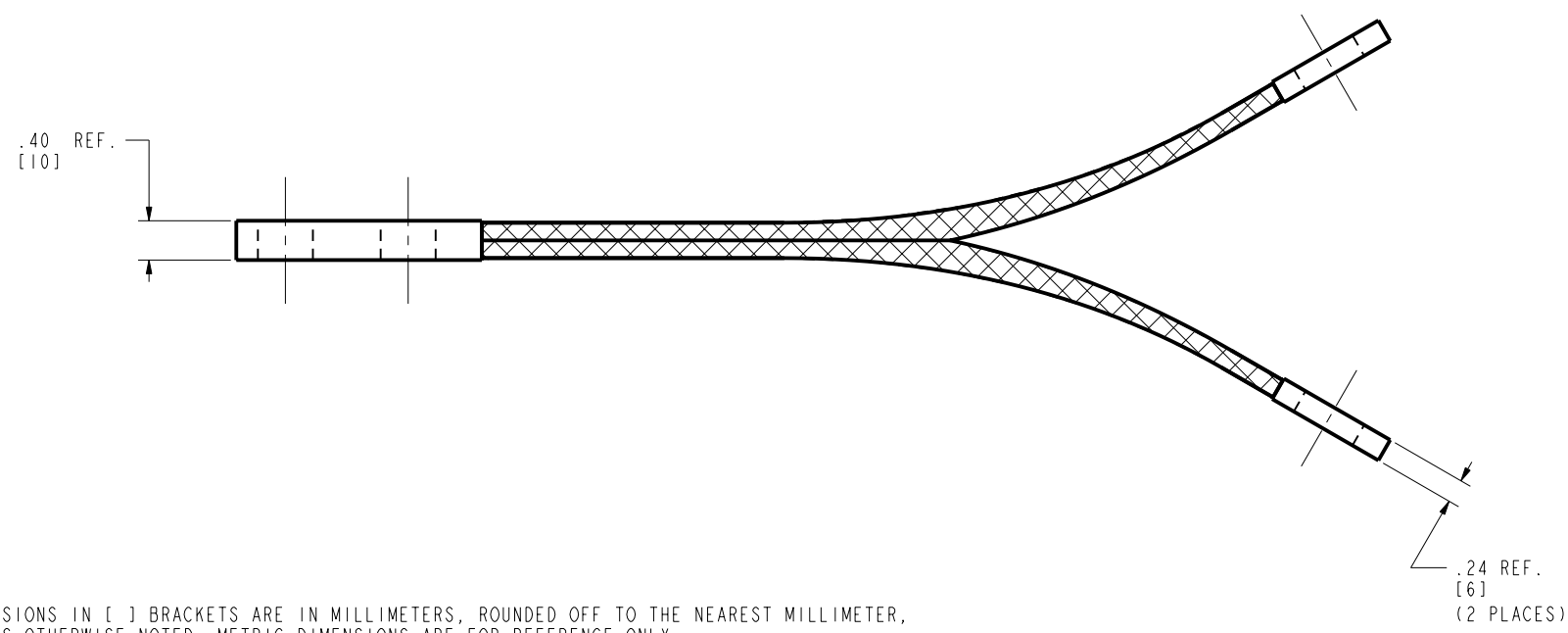
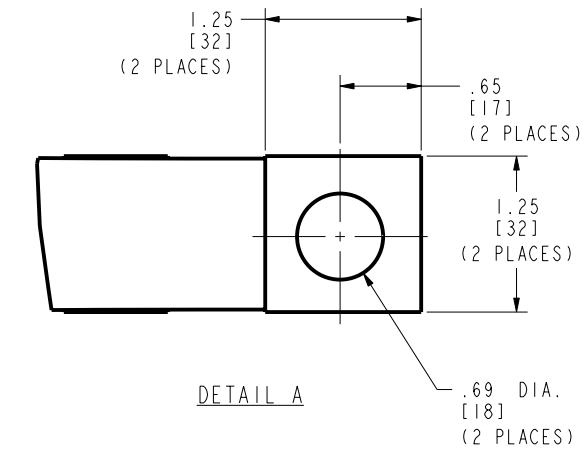
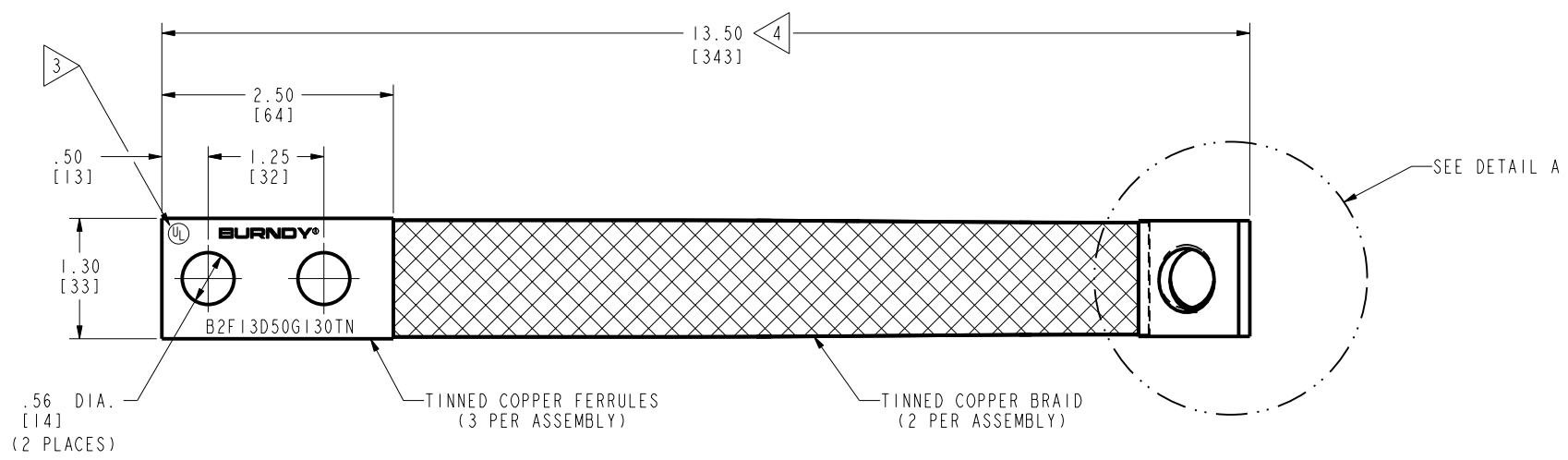


REV	DATE	DESCRIPTION	ECO	BY	C'H'K.
A	8/3/2010 11:00:00 AM	CREATE PRODUCTION DRAWING AND UPDATE SALES DRAWING FOR BRAID B2F13D50G130TN	21794	BSB	MA



NOTES:

- DIMENSIONS IN [ ] BRACKETS ARE IN MILLIMETERS, ROUNDED OFF TO THE NEAREST MILLIMETER, UNLESS OTHERWISE NOTED. METRIC DIMENSIONS ARE FOR REFERENCE ONLY.
  - APPROXIMATE AMP. RATING: 600 INDOOR, 720 OUTDOOR. THIS RATING MAY VARY WITH AMBIENT CONDITIONS, ORIENTATION OF THE BRAID AND OTHER SERVICE CONDITIONS.
- 3 'UL' SYMBOL FOR INTERNAL SPECIFICATION L4219, LOCATION AND SIZE TO BE DETERMINED BY MANUFACTURING.
- 4 THE OVERALL LENGTH IS 13.50 WHEN THE BRAID IS COMPLETELY FLAT.

TO ORDER BURNDY® PRODUCTS CALL		BRAID	
UNITED STATES		ITEM NO: 30001023	
1-800-346-4175 (LONDONDERRY, NH)		CAT. NO: B2F13D50G130TN	
CANADA:		DRAWN BY: C RAJEEV 7/22/10	<b>BURNDY</b>
1-800-361-6975 (QUEBEC)		CHECKER: J PARKER 8/2/10	
1-800-387-6487 (ALL OTHER PROVINCES)		DSN APPVL: J PARKER 8/2/10	
FOR PRODUCT INFO: <a href="http://www.burndy.com">http://www.burndy.com</a>		MFG APPVL: C MARTINEZ 8/4/10	
		QA APPVL: J BRODEUR 8/4/10	SCALE: NTS
		MKT APPVL: P THERRIEN 8/3/10	PROJ. NO: 30004626
		PROJ. FAM: MECHANICAL GROUNDING	DRAWING NO
		PROJECT #: --	REV
		DOCUMENT TYPE: Sales	30004626
		REL LEVEL: Released	SHEET 1 OF 1

REV: PE0200