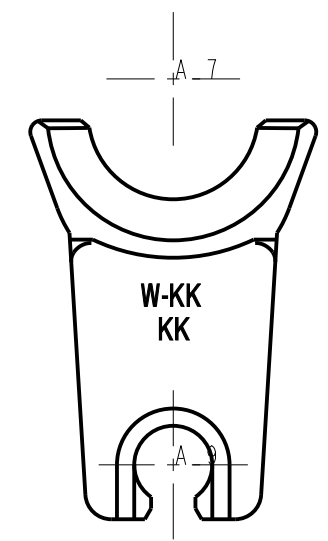
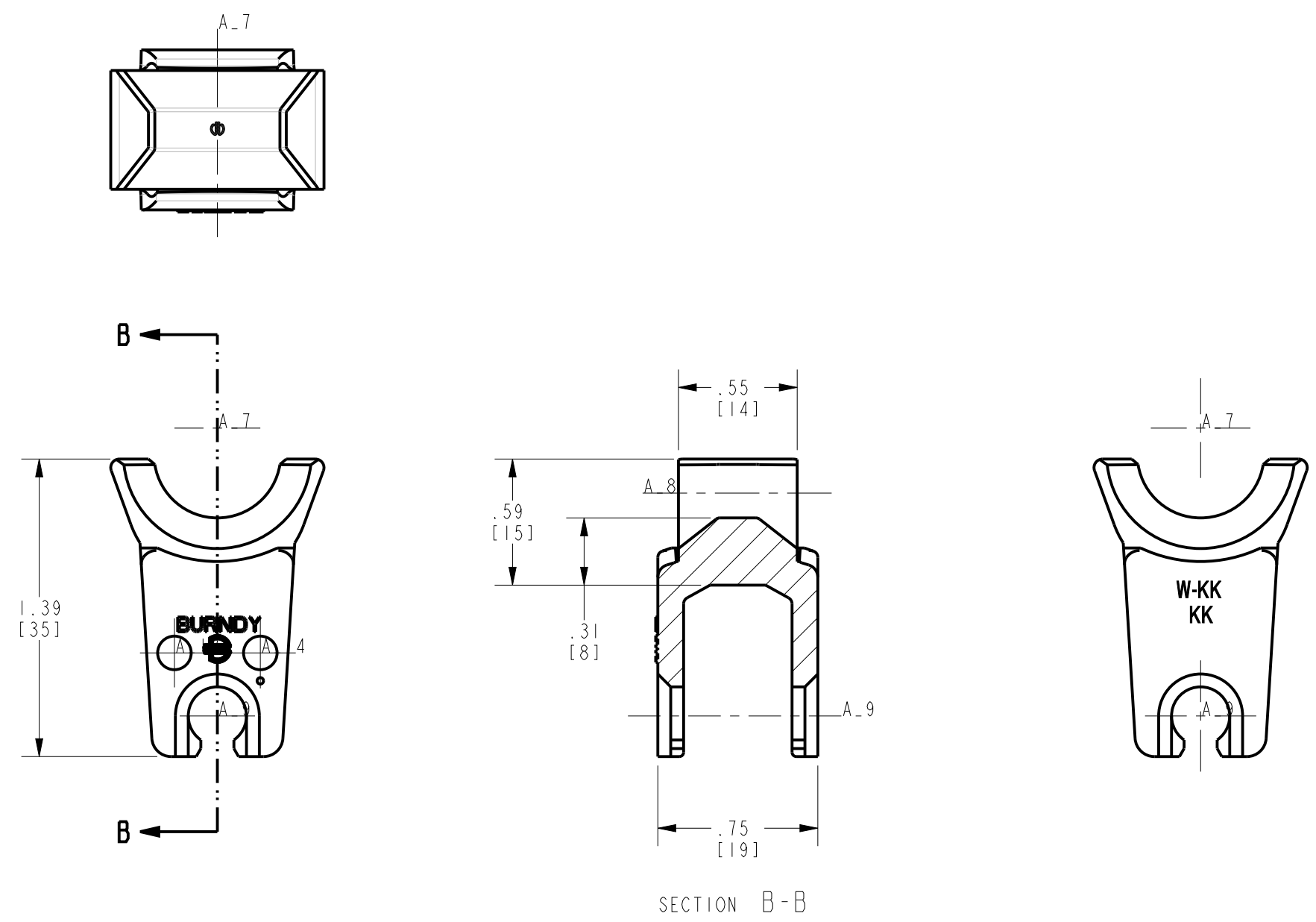


REV.	DATE	DESCRIPTION	ECO	BY	C'H'K.
B	01/29/2014 19:30:00 PM	ADD NOTE 4 TO DRAWING PER M/U.	34286	RB	LB



NOTES:

1. THIS DRAWING TO BE INTERPRETED PER ASME Y14.5M - 1994.
2. DIMENSIONS IN BRACKETS [] ARE IN MILLIMETERS ROUNDED OFF TO THE NEAREST MILLIMETER, UNLESS OTHERWISE SPECIFIED, AND ARE FOR REFERENCE ONLY.
3. MATERIAL: STAINLESS STEEL.
4. DIE GAGE CAT. NO. WPGKK.

TO ORDER BURNDY® PRODUCTS CALL
 UNITED STATES:
 1-800-346-4175 (LONDONDERRY, NH)
 CANADA:
 1-800-361-6975 (QUEBEC)
 1-800-387-6487 (ALL OTHER PROVINCES)
 FOR PRODUCT INFO: <http://www.burndy.com>

W DIES(MD6 HYTOOL)	
ITEM NO:	N/A
CAT. NO:	W-KK
DRAWN BY:	I. ANBALAGAN 07/24/10
CHECKER:	--
DSN APPVL:	--
MFG APPVL:	--
QA APPVL:	--
MKT APPVL:	--
PROD FAM:	TOOLS_MECH./W-DIES
PROJECT #:	--
DOCUMENT TYPE:	Sales
REL LEVEL:	Released
SCALE:	1:1
DRAWING NO:	30004693
REV:	B
SHEET 1 OF 1	

REV: PE0200