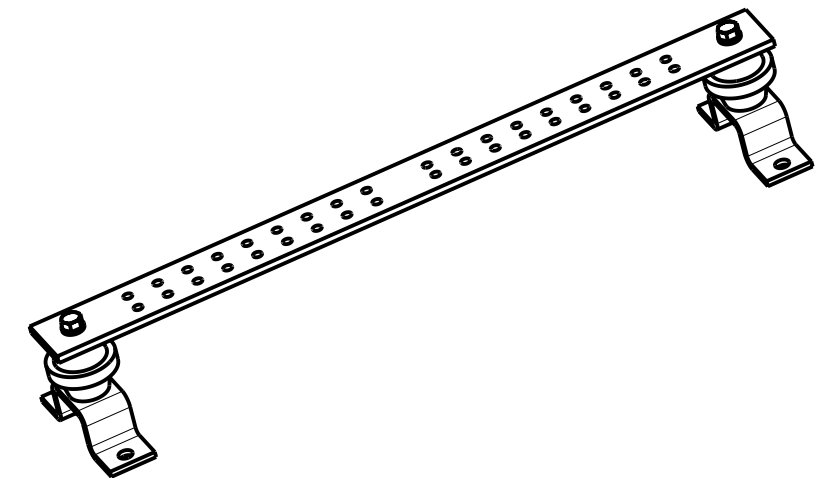
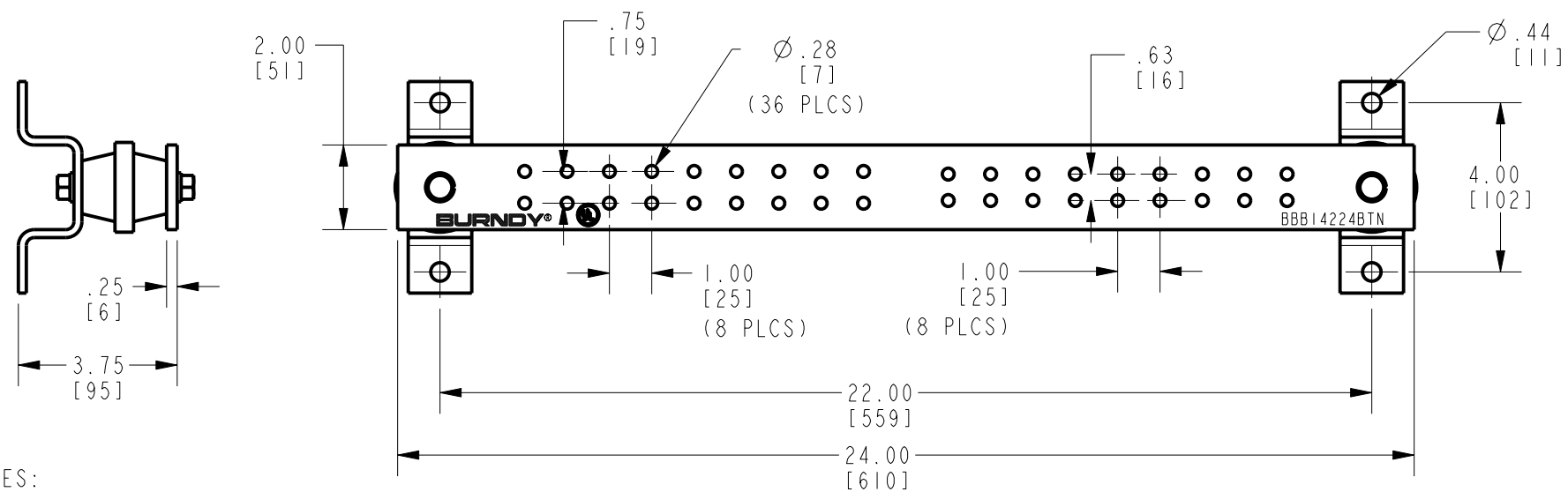
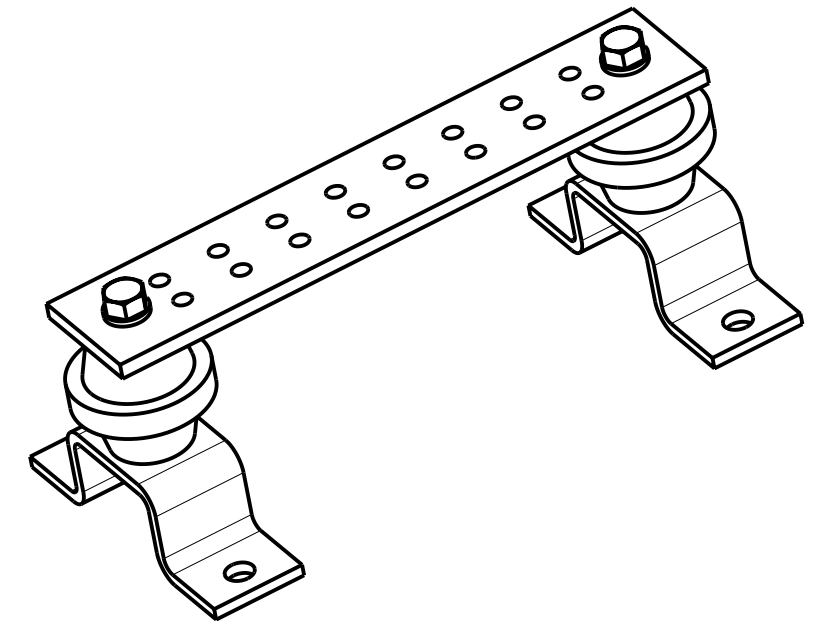
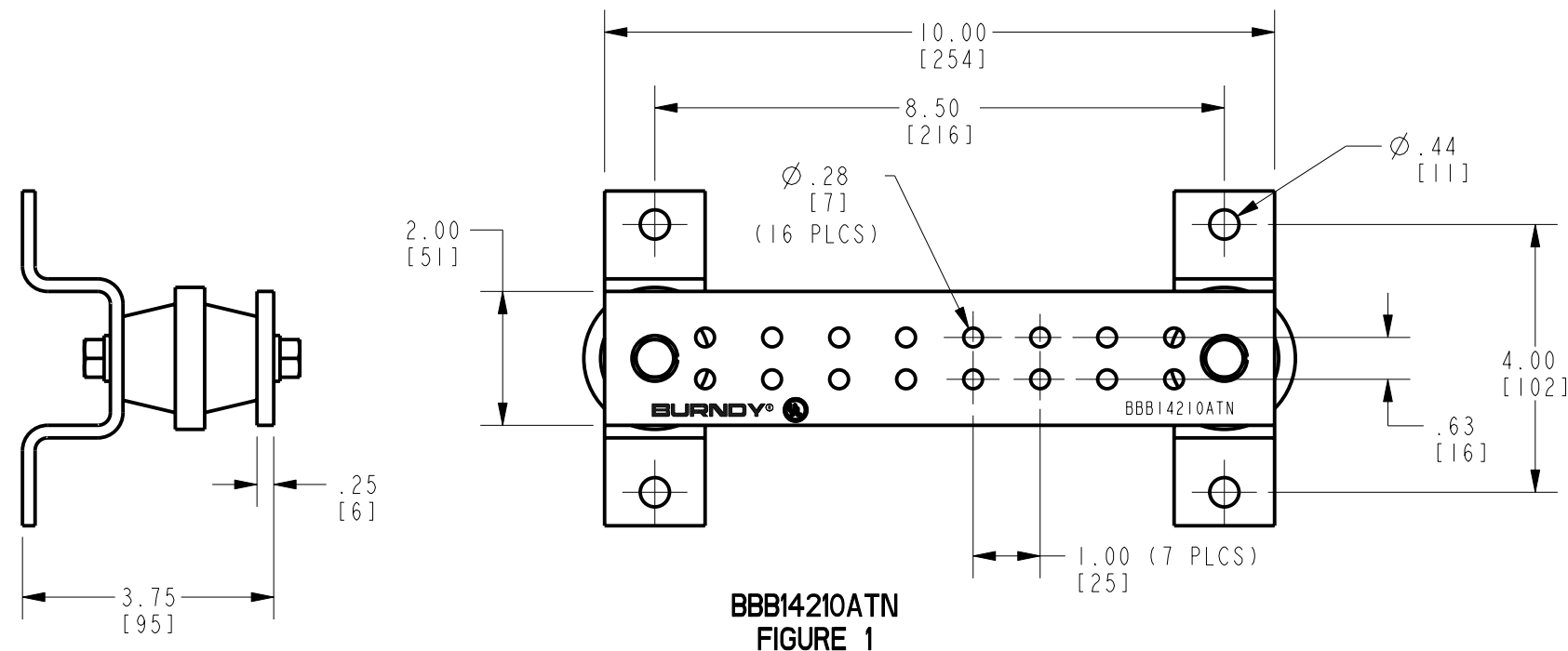


BUSBAR'S

REV.	DATE	DESCRIPTION	ECO	BY	C.H.K.
A	07/28/2010- 00:00:00 AM	DRAWING RELEASED	25439	BSB	MA

CATALOG NUMBER	DESCRIPTION	NUMBER OF HOLES	FIG #
BBB14210ATN	BUSBAR 1/4"[6] X 2"[51] X 10"[254]	16	1
BBB14224BTN	BUSBAR 1/4"[6] X 2"[51] X 24"[610]	36	2



NOTES:

1. THIS DRAWING TO BE INTERPRETED PER ASME Y14.5M-1994.
2. MATERIAL: COPPER.
3. FINISH: TIN PLATED.
4. BUSBAR INCLUDE ONE BUSBAR, TWO INSULATORS, TWO MOUNTING BRACKETS, FOUR MOUNTING BOLTS AND FOUR LOCKWASHERS.
5. DIMENSIONS IN [] ARE IN MILLIMETERS ROUNDED OFF TO THE NEAREST MILLIMETER AND ARE FOR REFERENCE ONLY.

TO ORDER BURNDY® PRODUCTS CALL

UNITED STATES:
1-800-346-4175 (LONDONDERRY, NH)

CANADA:
1-800-361-6975 (QUEBEC)
1-800-387-6487 (ALL OTHER PROVINCES)

FOR PRODUCT INFO: <http://www.burndy.com>

BUSBAR'S

ITEM NO: N/A	SCALE: 3:8	
CAT. NO: SEE TABLE	DRAWING NO	
DRAWN BY: JEYAGANESH S 07/28/2010	SIZE	REV
CHECKER: E MARTIN 08/22/11	30004948	A
DSN APPVL: E MARTIN 08/22/11	SHEET 1 OF 1	
MFG APPVL: P KEENAN 08/23/11		
QA APPVL: J BRODEUR 08/22/11		
MKT APPVL: K ROBICHAU 08/22/11		
PROD FAM: Mechanical_Grounding		
PROJECT #: --		
DOCUMENT TYPE: Sales		
REL LEVEL: Released		

