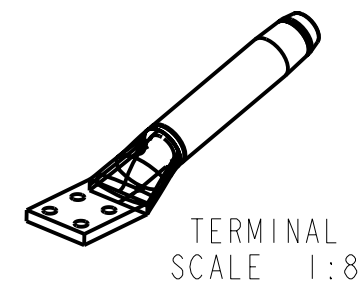
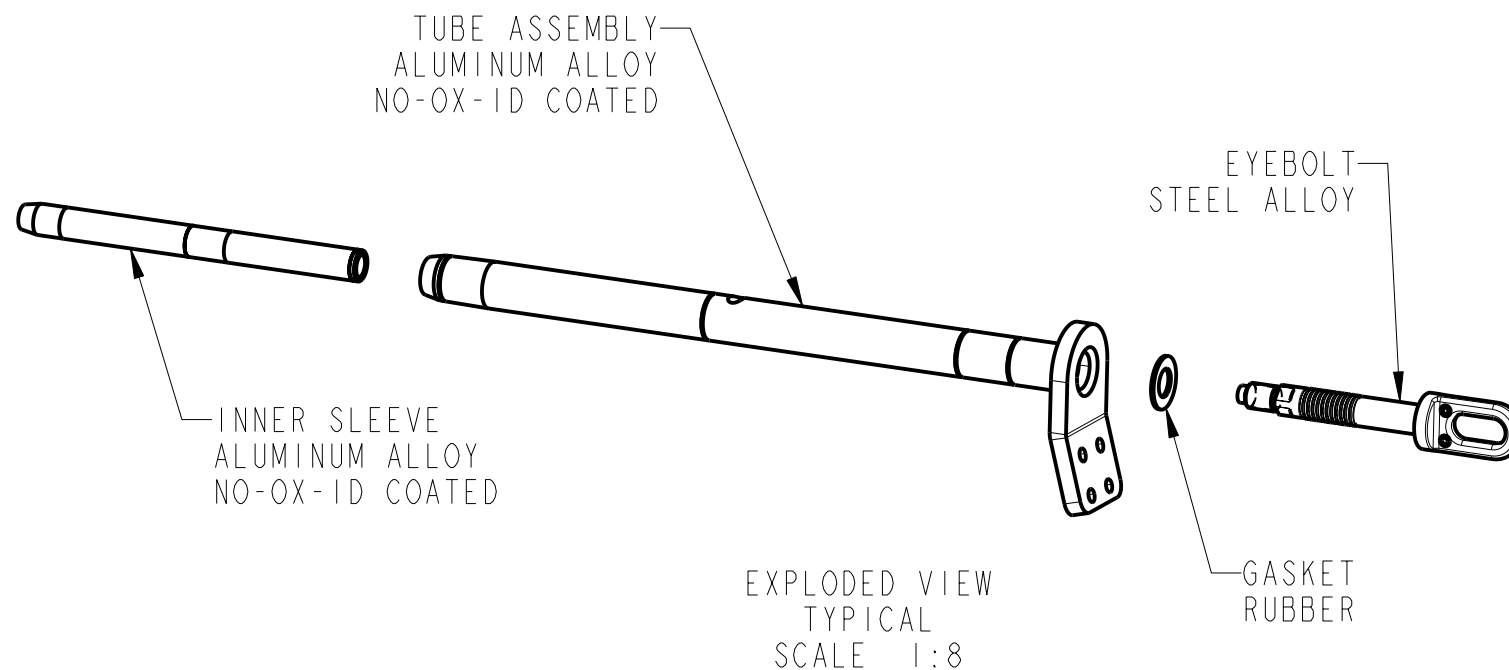


CROSS REFERENCE TABLE

LS KITS OF EYEBOLT DEADEND ASSEMBLY

REV.	DATE	DESCRIPTION	ECO	BY	C'H'K.
G	04/14/2014 00:00:00 AM	ADD PART NUMBER FOR JAIPUR CONDUCTOR	35773	SP	CP

BURNDY®		CTC	
ITEM NUMBER	CATALOG NUMBER	PART NO.	CONDUCTOR CODE NAME
SMALL FAMILY			
30012142	YTW160MRE15ACK6LS	5600-1024S	HELSINKI
50018176	YTW165MRE15ACK6LS	5600-1023S	JAIPUR
10091123	YTW32RE15ACCCCK4LS	5600-1020	LINNET
		5600-1034	ORIOLE
		5600-1036	REYKJAVIK
		5600-1022	COPENHAGEN
30013629	YTW245MRE15ACK6LS	5600-1044S	GLASGOW
10101508 OR 10091124	YTW325MRE15ACK5LS OR YTW36RE15ACCCCK4LS	5600-1028	CASABLANCA
		5600-1030	HAWK
		5600-1032	LISBON
10091125	YTW39RE15ACCCCK4LS	5600-1040	DOVE
		5600-1042	AMSTERDAM
10091126	YTW43RE15ACCCCK4LS	5600-1050	GROSBEAK
		5600-1052	BRUSSELS
MEDIUM FAMILY			
30016903	YTW330MRE15ACK6LS	5600-1026S	OSLO
10101507 OR 10091326	YTW530MRE15ACK5LS OR YTW451RE15ACCCCK4LS	5600-1054	STOCKHOLM
		5600-1056	WARSAW
		5600-1060	DRAKE
		5600-1062	DUBLIN
10101509	YTW570MRE15ACK5LS	5600-1058	HAMBURG
		5600-1064	MILAN
10091327	YTW48RE15ACCCCK4LS	5600-1070	CARDINAL
		5600-1072	VIENNA
30016901	YTW690MRE15ACK5LS	5600-1074	BUDAPEST
		5600-1076	PRAGUE
30001274	YTW760MRE15ACK5LS	5600-1078	MUNICH
10091328	YTW52RE15ACCCCK4LS	5600-1079	LONDON
		5600-1080	BITTERN
		5600-1082	PARIS



(ACCC®) ALUMINUM CONDUCTOR COMPOSITE CORE

NOTES:

1. K4 AND K5 KITS CONTAIN TERMINALS WITH CAST PADS FOR THE SMALL FAMILY.
2. LS KITS DO NOT CONTAIN COLLET AND COLLET HOUSING.
3. LS KITS ARE SUB-ASSEMBLIES FOR CTC PART NUMBER.
4. K6 KITS FOR GLASGOW AND HELSINKI AND JAIPUR AND OSLO CONTAIN FORMED TERMINALS WITH INNER SLEEVE.

TO ORDER BURNDY® PRODUCTS CALL

UNITED STATES:  
1-800-346-4175 (LONDONDERRY, NH)

CANADA:  
1-800-361-6975 (QUEBEC)  
1-800-387-6487 (ALL OTHER PROVINCES)

FOR PRODUCT INFO: <http://www.burndy.com>

LS KITS, DEADEND EYEBOLT CROSS REFERENCE

ITEM NO: SEE TABLE	SCALE: 3:20	
CAT. NO: SEE TABLE	REV	
DRAWN BY: D DOBRINSKI 08/10/10	DRAWING NO	REV
CHECKER: P CHAN 07/21/11		
DSN APPVL: P CHAN 04/22/14	30005182	G
MFG APPVL: --		
QA APPVL: C ACKERMAN 04/23/14	SHEET 1 OF 1	
MKT APPVL: B CRUTCHER 04/23/14		
PROD FAM: TRANSMISSION\DEADEND		
PROJECT #: 13827		
DOCUMENT TYPE: Sales		
REL LEVEL: Released		



REV: PE0200