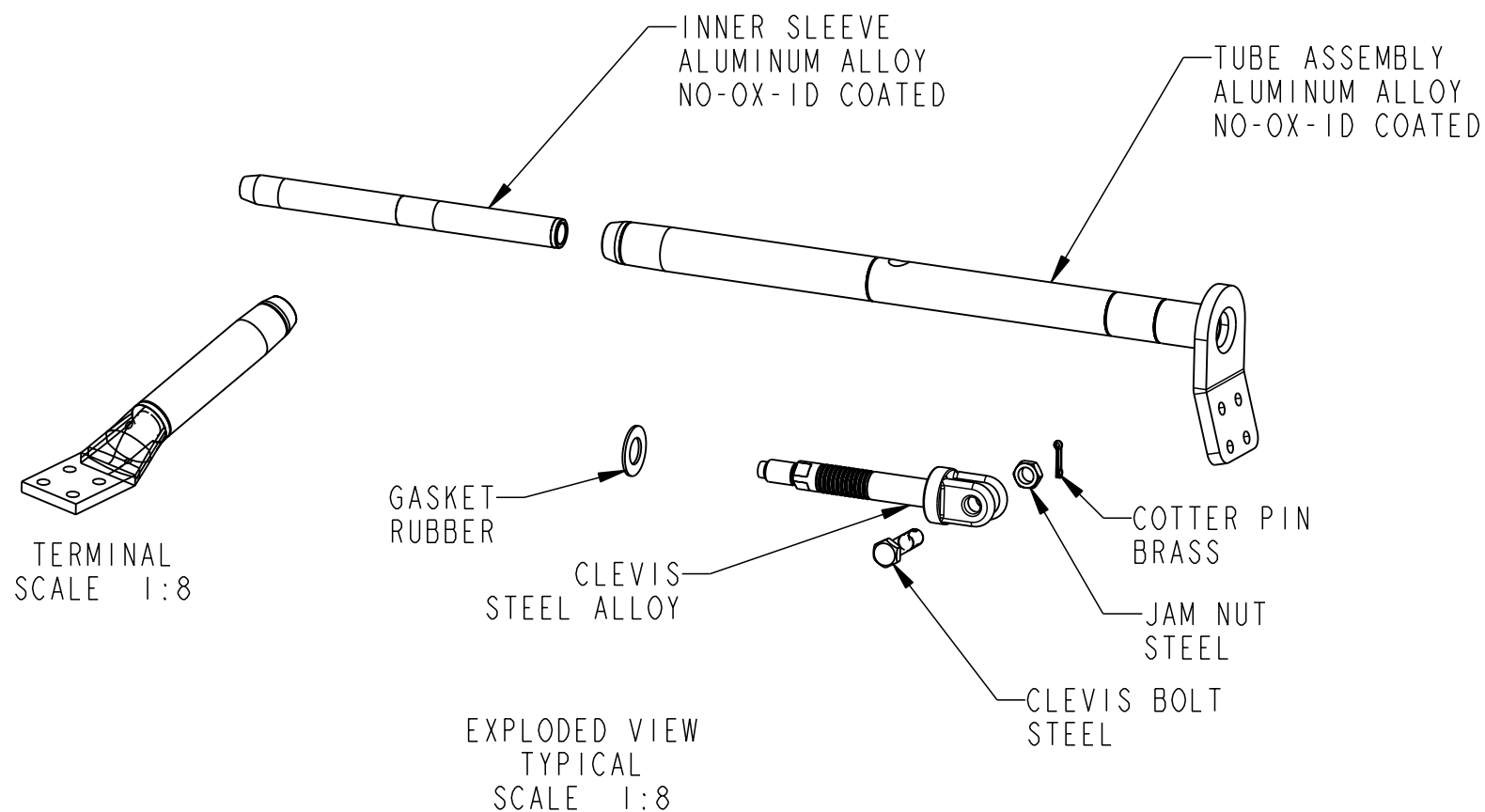


CROSS REFERENCE TABLE			
LS KITS OF CLEVIS DEADEND ASSEMBLY			
BURNDY		CTC	
ITEM NUMBER	CATALOG NUMBER	PART NO.	CONDUCTOR CODE NAME
SMALL FAMILY			
10105936	YTW230MRC15ACK5LS	5600-1020C	LINNET
		5600-1034C	ORIOLE
		5600-1036C	REYKJAVIK
		5600-1022C	COPENHAGEN
10105939	YTW245MRC15ACK6LS	5600-1044CS	GLASGOW
10105935	YTW325MRC15ACK5LS	5600-1028C	CASABLANCA
		5600-1030C	HAWK
10105934	YTW380MRC15ACK5LS	5600-1032C	LISBON
		5600-1040C	DOVE
10105933	YTW430MRC15ACK5LS	5600-1042C	AMSTERDAM
		5600-1050C	GROSBEAK
10105933	YTW430MRC15ACK5LS	5600-1052C	BRUSSELS
		MEDIUM FAMILY	
10105938	YTW330MRC15ACK6LS	5600-2026CS	OSLO
10105931	YTW530MRC15ACK5LS	5600-1054C	STOCKHOLM
		5600-1056C	WARSAW
		5600-1060C	DRAKE
		5600-1062C	DUBLIN
10105929	YTW570MRC15ACK5LS	5600-1058C	HAMBURG
		5600-1064C	MILAN
10105927	YTW610MRC15ACK5LS	5600-1066C	ROME
10105926	YTW650MRC15ACK5LS	5600-1070C	CARDINAL
		5600-1072C	VIENNA
10105925	YTW690MRC15ACK5LS	5600-1074C	BUDAPEST
		5600-1076C	PRAGUE
10105923	YTW760MRC15ACK5LS	5600-1078C	MUNICH
		5600-1079C	LONDON
		5600-1080C	BITTERN
10105921	YTW840MRC15ACK5LS	5600-1082C	PARIS

REV.	DATE	DESCRIPTION	ECO	BY	C'H'K.
A	8/13/2010 12:00:00 AM	RELEASED	21852	D.D.	P.C.



NOTES:

1. K6 KITS FOR GLASGOW AND OSLO CONTAINS FORMED TERMINALS WITH INNER SLEEVE.
2. K5 KITS CONTAIN TERMINALS WITH CAST PADS FOR THE SMALL FAMILY.
3. LS KITS DO NOT CONTAIN COLLET AND COLLET HOUSING.
4. LS KITS ARE SUB-ASSEMBLIES FOR CTC PART NUMBER.

(ACCC™) ALUMINUM CONDUCTOR COMPOSITE CORE

TO ORDER BURNDY® PRODUCTS CALL		LS KITS, DEADEND CLEVIS CROSS REFERENCE	
UNITED STATES:		ITEM NO: SEE TABLE	
1-800-346-4175 (LONDONDERRY, NH)		CAT. NO: SEE TABLE	
CANADA:		DRAWN BY: D. DOBRINSKI 8/10/10	
1-800-361-6975 (QUEBEC)		CHECKER: P. Chan 8/11/10	
1-800-387-6487 (ALL OTHER PROVINCES)		DSN APPVL: P. Chan 8/11/10	
FOR PRODUCT INFO: http://www.burndy.com		MFG APPVL: --	
		QA APPVL: J. Brodeur 8/13/10	
		MKT APPVL: D. Hamilton 8/11/10	
		SCALE: 3:20	
		PROJ. FAM: Transmission/Deadends	
		DRAWING NO: 30005184	
		REV: A	
		PROJECT #: 13827	
		DOCUMENT TYPE: Sales	
		REL LEVEL: Released	
		SHEET 1 OF 1	