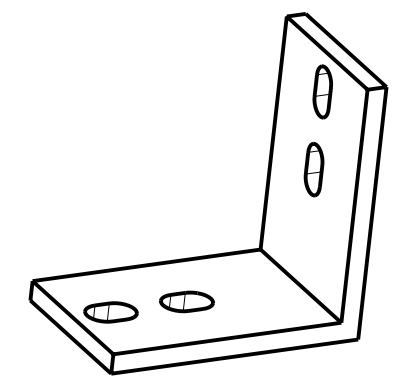
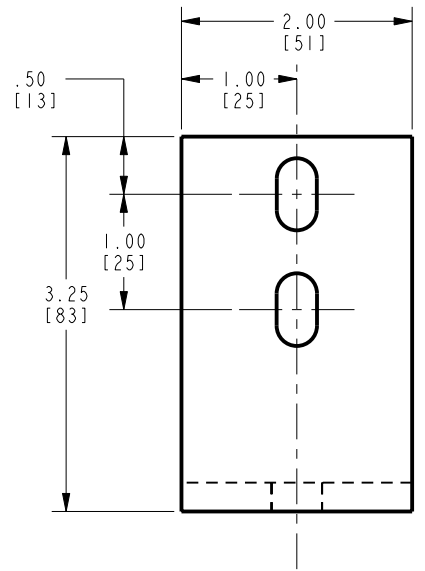
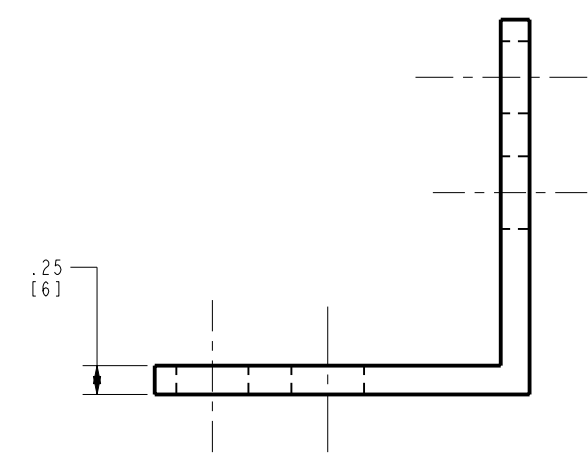
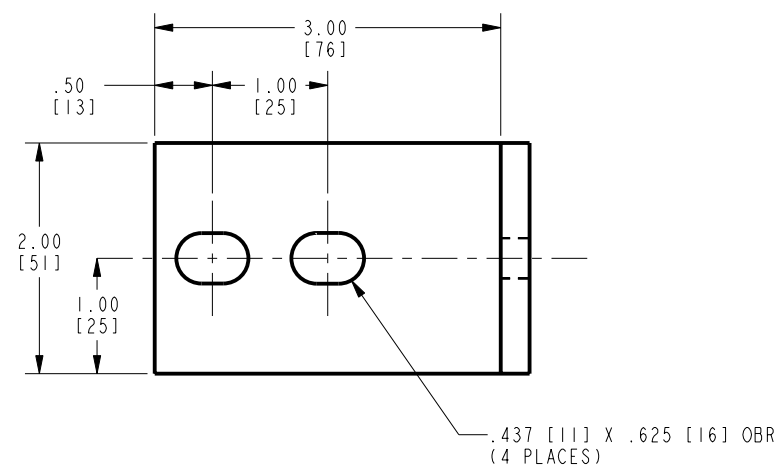


DRAWING NO.  
30006668

REV	DATE	DESCRIPTION	ECO	BY	C'H'K.
A	9/9/2010 12:00:00 AM	FOCUS REQUEST	22094	MG	MA



NOTES:

1. MATERIAL : COPPER
2. DIMENSIONS IN [ ] BRACKETS ARE IN MILLIMETERS, ROUNDED OFF TO THE NEAREST MILLIMETER, UNLESS OTHERWISE NOTED. METRIC DIMENSIONS ARE FOR REFERENCE ONLY.

TO ORDER BURNDY® PRODUCTS CALL  
 UNITED STATES:  
 1-800-346-4175 (LONDONDERRY, NH)  
 CANADA:  
 1-800-361-6975 (QUEBEC)  
 1-800-387-6487 (ALL OTHER PROVINCES)  
 FOR PRODUCT INFO: <http://www.burndy.com>

COPPER GROUND BUS BAR ELBOW	
ITEM NO: 30005939	
CAT. NO: BBB90C142N	
DRAWN BY: M GOWRISANKAR 09/09/10	<b>BURNDY</b>
CHECKER: K BOUTIN 09/10/10	
DSN APPVL: K BOUTIN 09/10/10	
MFG APPVL: --	
QA APPVL: J BRODEUR 09/16/10	
MKT APPVL: K RABICHEAU 09/10/10	SCALE: 1:1
PROD FAM: MECHANICAL GROUNDING	DRAWING NO
PROJECT #: --	SIZE
DOCUMENT TYPE: Sales	30006668
REL LEVEL: Released	SHEET 1 OF 1

REV: PE0200