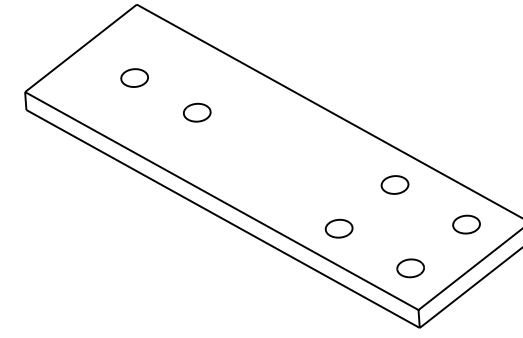
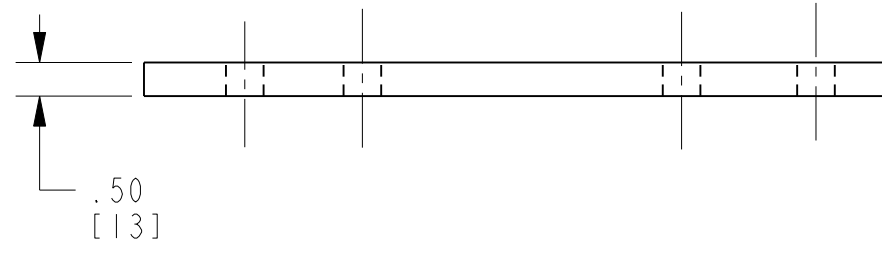
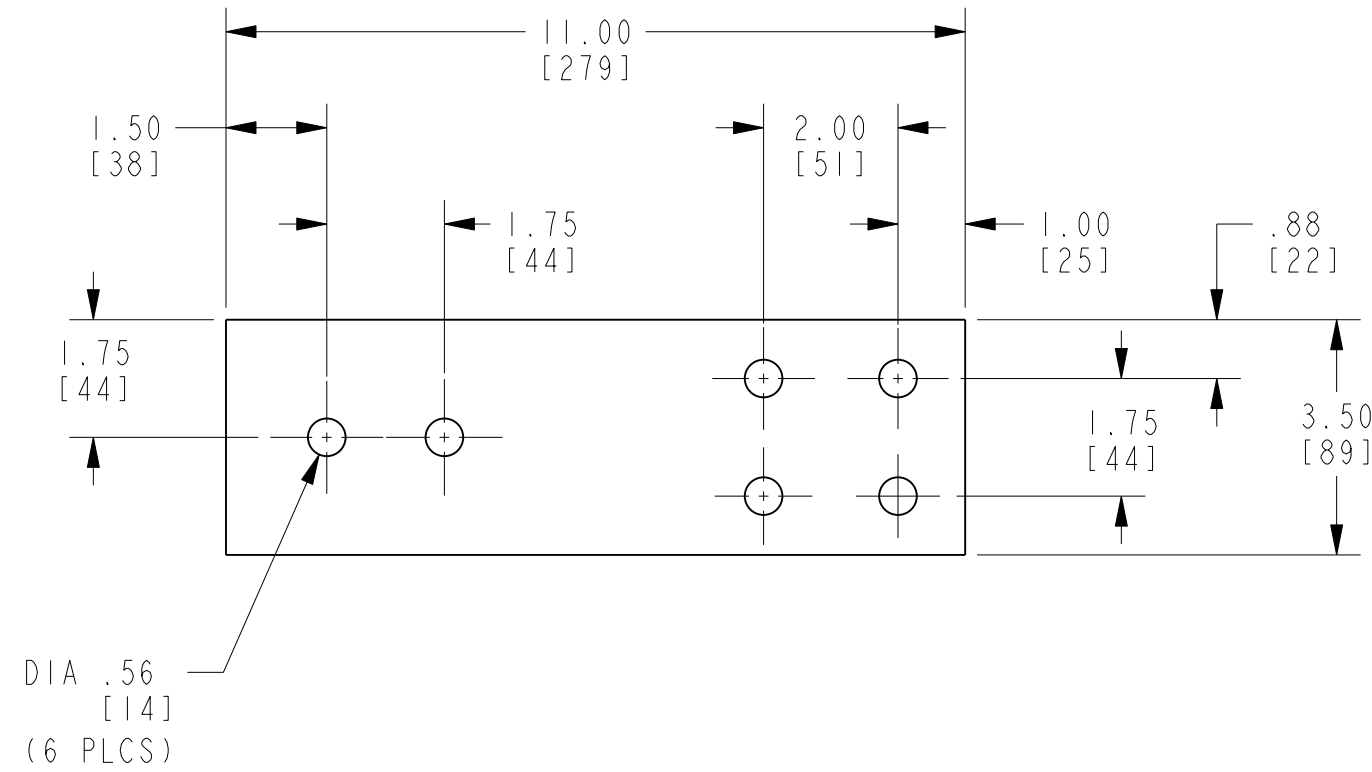


REV.	DATE	DESCRIPTION	ECO	BY	C'H'K.
A	9/13/2010 11:00:00 AM	FOCUS REQUEST	22114	BT	DG



NOTES:

1. MATERIAL: COPPER.
2. DIMENSIONS IN [] BRACKETS ARE IN MILLIMETERS, ROUNDED OFF TO THE NEAREST MILLIMETER, UNLESS OTHERWISE NOTED. METRIC DIMENSIONS ARE FOR REFERENCE ONLY.

TO ORDER BURNDY® PRODUCTS CALL		BUSBAR	
UNITED STATES: 1-800-346-4175 (LONDONDERRY, NH)		ITEM NO: 30005944	
CANADA: 1-800-361-6975 (QUEBEC) 1-800-387-6487 (ALL OTHER PROVINCES)		CAT. NO: BBB1235011GG1	
FOR PRODUCT INFO: http://www.burndy.com		DRAWN BY: T BALAN 9/13/2010	
		CHECKER: K BOUTIN 9/17/2010	
		DSN APPVL: K BOUTIN 9/17/2010	
		MFG APPVL: P KEENAN 9/17/2010	
		QA APPVL: J BRODEUR 9/20/2010	
		MKT APPVL: R KATHLEEN 9/17/2010	
		SCALE: 2:1	
		PROJECT #: -- SIZE	
		DRAWING NO 30006747	
		REV A	
		DOCUMENT TYPE: Sales	
		REL LEVEL: Released	
		SHEET 1 OF 1	

REV: PE0200