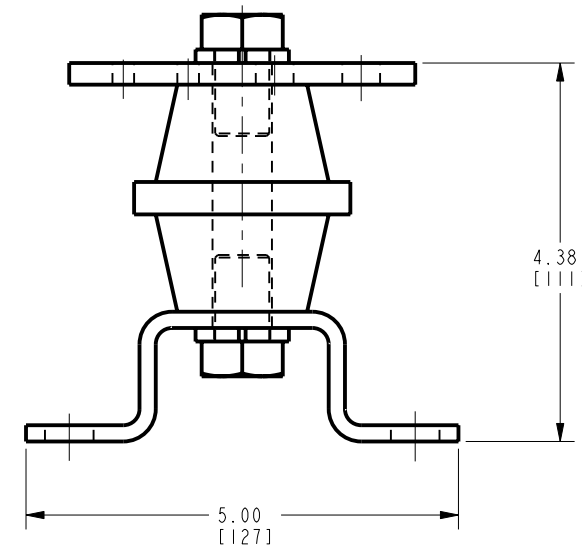
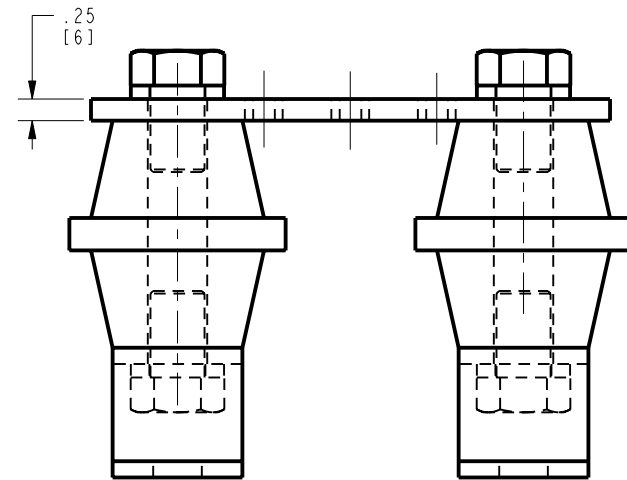
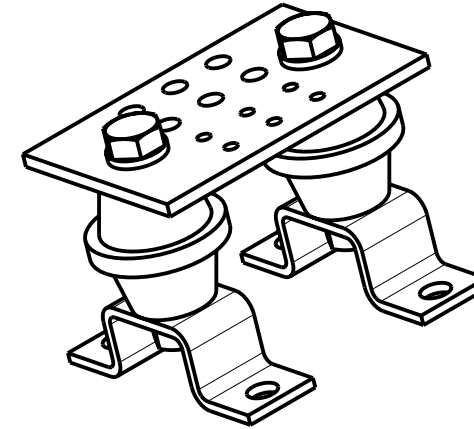
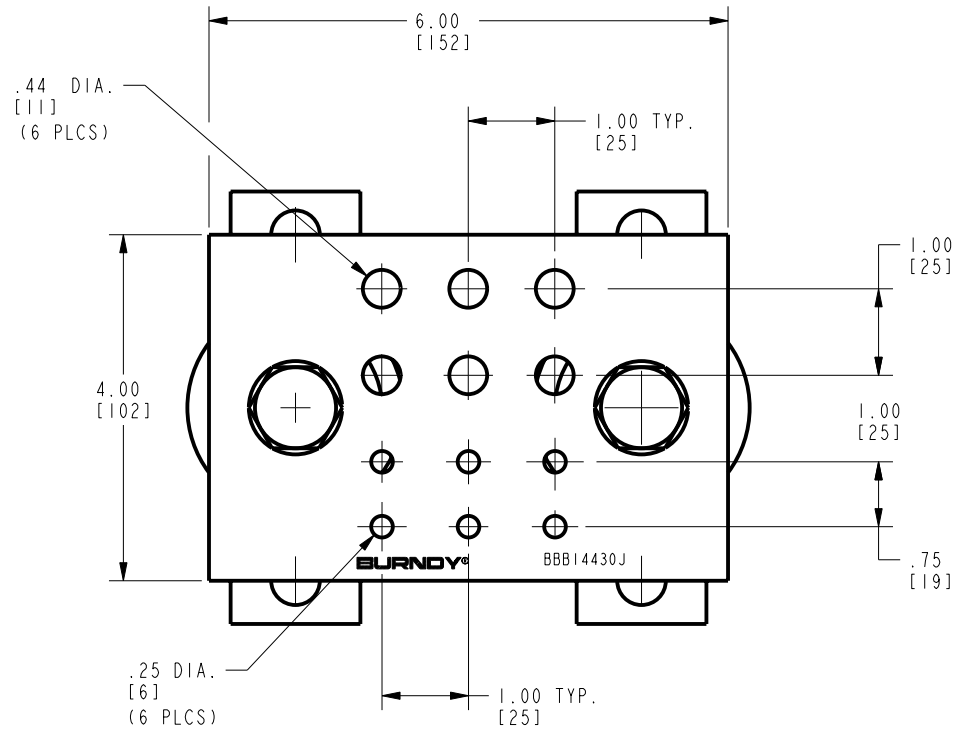


DRAWING NO.
30007034

REV	DATE	DESCRIPTION	ECO	BY	C'H'K.
A	9/22/2010 11:00:00 PM	FOCUS REQUEST	22221	BSB	MA



NOTES:

1. MATERIAL: COPPER.
2. DIMENSIONS IN [] BRACKETS ARE IN MILLIMETERS, ROUNDED OFF TO THE NEAREST MILLIMETER, UNLESS OTHERWISE NOTED. METRIC DIMENSIONS ARE FOR REFERENCE ONLY.
3. THIS CATALOG NUMBER INCLUDES ONE BUSBAR, TWO INSULATORS, TWO MOUNTING BRACKETS, FOUR MOUNTING BOLTS AND FOUR LOCKWASHERS.

TO ORDER BURNDY® PRODUCTS CALL		BUSBAR	
UNITED STATES: 1-800-346-4175 (LONDONDERRY, NH)		ITEM NO: 30005976	CAT. NO: BBB1446J
CANADA: 1-800-361-6975 (QUEBEC) 1-800-387-6487 (ALL OTHER PROVINCES)		DRAWN BY: B.SURESH BABU 9/22/10	CHECKER: B.KRIS 9/23/10
FOR PRODUCT INFO: http://www.burndy.com		DSN APPVL: B.KRIS 9/23/10	MFG APPVL: --
		QA APPVL: J.BRODEUR 9/23/10	MKT APPVL: K.ROBICHEU 9/23/10
		SCALE: 3:4	DRAWING NO: 30007034
		PROJECT #: --	REV: A
		DOCUMENT TYPE: Sales	SHEET 1 OF 1
		REL LEVEL: Released	

REV: PE0200